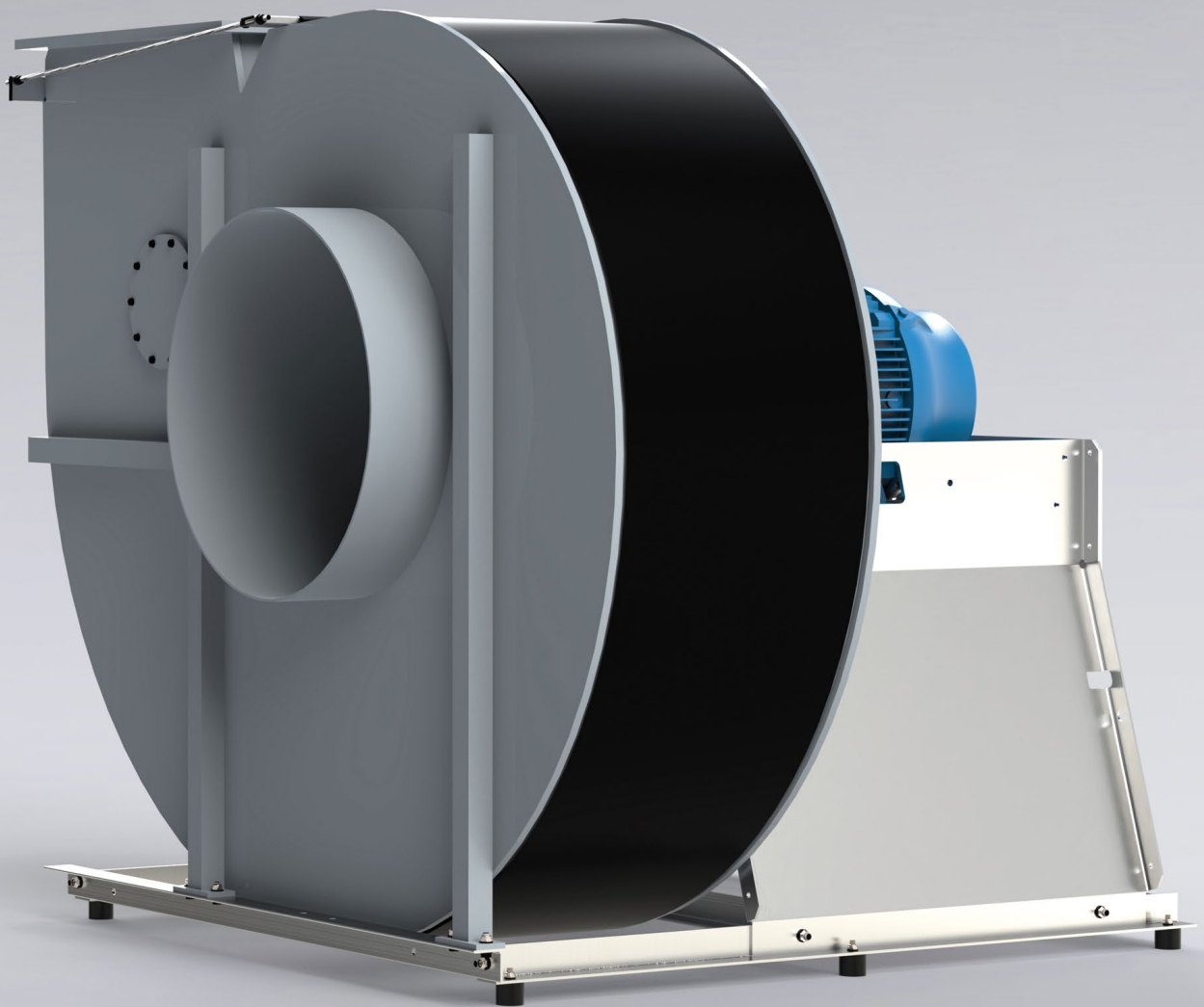


Fans

CHVN 315-1250

High-pressure radial fan
made of plastic



Excellent service life and efficiency. Worldwide.



The Colasit CHVN radial fan is a high-pressure fan for high volumes of up to 132000 m³/h and high pressures of up to 5300 Pa. This robust plastic fan is available in different materials and drive systems, and offers the highest level of reliability. This ensures a very wide range of application possibilities for various aggressive media.

Construction

- One stage, suction on one side
- Direct drive or V-belt drive
- CE marking

Characteristics

Volume flow

min. 1500 m³/h to max. 132000 m³/h

Static pressure

min. 400 Pa to max. 5300 Pa

Efficiency (tot. mech.)

max. 74%

Inlet and outlet Ø

315, 355, 400, 450, 500, 560, 630, 710, 800, 900, 1000, 1120, 1250 mm

Housing

- Available in **PE, PP, PPS, PPS-eI, PVDF, PVC**
- Sturdy welded construction
- 6 outlet positions for clockwise or counterclockwise rotation
- Splinter protection for maximum safety
- Control opening in casing
- Housing can be removed to clean the fan

Impeller

- Available in **PP, PPS, PPS-eI, PVDF**
- Backward-curved impeller blades
- Transmission of force via standard taper lock bushing or positive locking

Support

- Available in **stainless steel or galvanized**
- Sturdy sheet metal construction
- Extrusion construction from size 800 and larger
- Maintenance-free pillow block bearing for version with V-belt drive

Ex protection

- Version available in ATEX **Zone 1 / 2** 

Drive

- Direct drive: Impeller mounted directly on motor shaft
- V-belt drive: Transmission of force via V-belt drive with tensioning device
- Motor: Asynchronous motor
PM motor (required with FC)

Hub seal

- Standard seal (minimal hub-to-casing gap)

Optional

- Lip seal, single or double (stainless steel or Hastelloy)
- Back-plated impeller (negative pressure in hub area)

Accessories/options

Required

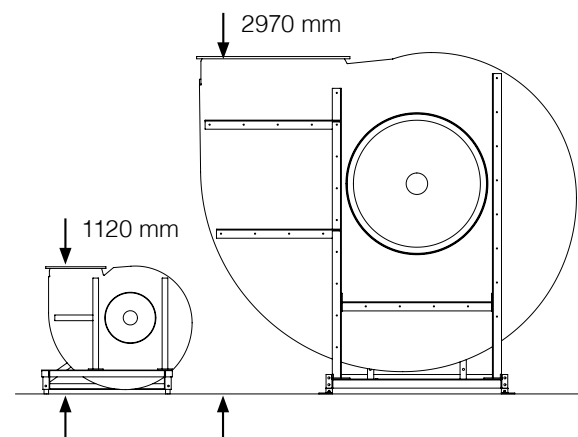
- Vibration absorbers for floor mounting
- Sleeves as flexible connection or protective grid
- Isolation switch

Optional

- Frequency converter for speed control
- Casing drain
- Motor cover

Dimensions

315, 355, 400, 450, 500, 560, 630, 710, 800, 900, 1000, 1120, 1250 mm



Plastic fans from Colasit

Since its founding in 1945, Colasit has grown to be a leading provider of plastic fans made of corrosion-resistant plastics. Colasit has been setting the standard within its product lines for many decades. Hundreds of thousands of Colasit fans are improving air quality in the industrial sector in laboratories and building technology around the world.

Swiss quality with global support

Fan development and plastic component production take place in Switzerland to guarantee our exceptional quality. Colasit and its distribution sites all around the world provide professional consultation, sales, on-site assembly of plastic fans, installation, and service.

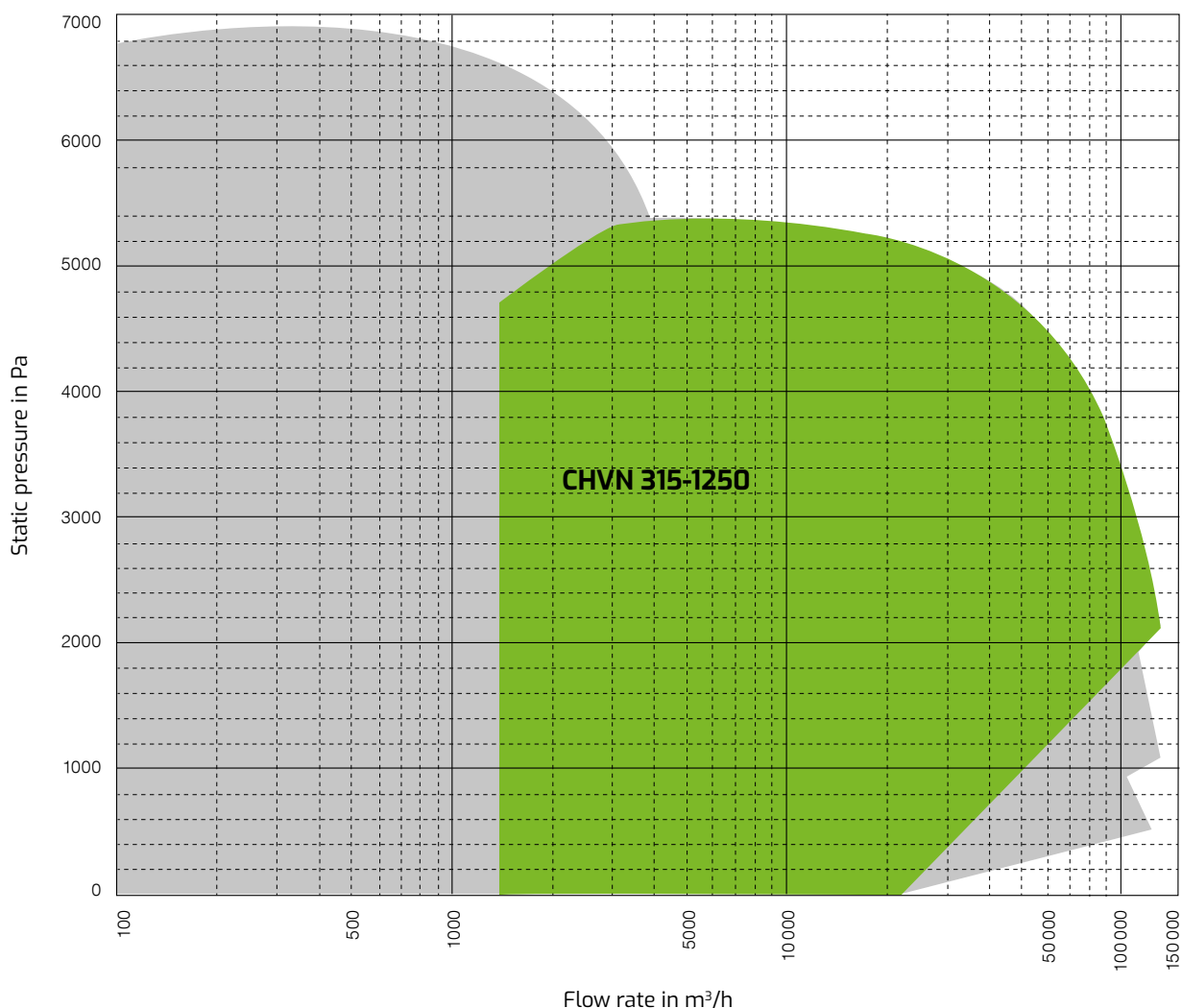
Key features

Colasit plastic fans are a durable, energy-efficient solution that provides what we ultimately offer: process reliability. Our ATEX-compliant fans offer maximum safety even in potentially explosive atmospheres (Zone 1 or 2).

Online configurator ColaVent®/BIM

Our comprehensive product range provides excellent coverage of requirements for flow rates up to 130 000 m³/h and static pressures up to 7000 Pa. Colasit supports planners, engineers, and operators in designing plastic fans from Colasit with the ColaVent® online configurator at **www.colasit.nl/colavent**. Colasit also provides the BIM data necessary for design.

<https://colasit.partcommunity.com>



Worldwide

Colasit is a worldwide leading provider of chemically resistant fans, exhaust air purification systems, ventilation systems for corrosive and environmentally harmful exhaust air and gases as well as apparatus and processing systems for chemically aggressive liquid media.



Exhaust air purification systems made of plastic for treating environmentally hazardous exhaust air and gases



Plastic fans for efficient and safe conveying of corrosive exhaust air and gases



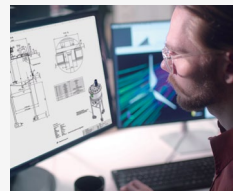
Ventilation systems made of plastic for efficient routing of corrosive exhaust air and gases



Processing systems, containers, vessels, and equipment for safe handling of chemically aggressive liquid media



Installation, repair, and replacement parts services



Consultation and engineering services in plastic construction for individual components to entire systems

COLASIT Holland B.V.
Plastic construction • Larenweg 56 • 5234 KC 's-Hertogenbosch, The Netherlands
Phone +31 (0)73 641 83 15 • verkoop@colasit.nl
www.colasit.nl



Competence in plastics. Worldwide.