

Fans

CHVS 63-250

High-pressure radial fan
made of plastic



Excellent service life and efficiency. Worldwide.



The Colasit CHVS radial fan is a high-pressure fan for the highest demands with pressures of up to 7000 Pa and volumes of up to 5300 m³/h. This very reliable and stable plastic fan is available in various materials and drive concepts, which ensures that it meets any requirements. Furthermore, this versatile radial fan is suitable for a wide range of applications and different aggressive media.

Construction

- One stage, suction on one side
- Direct drive or V-belt drive
- CE marking

Characteristics

Volume flow

min. 60 m³/h to max. 5300 m³/h

Static pressure

min. 450 Pa to max. 7000 Pa

Efficiency (tot. mech.)

max. 82%

Inlet and outlet Ø

63, 90, 125, 160, 200, 250 mm

Housing

- Available in **PE, PP, PPs, PPs-eI, PVDF, PVC**
- Self-supporting welded construction
- 6 outlet positions for clockwise or counterclockwise rotation
- Splinter protection for maximum safety
- Housing can easily be removed to clean the fan

Impeller

- Available in **PPs, PPs-eI, PVDF**
- Backward-curved impeller blades
- Transmission of force via positive fit

Support

- Available in **stainless steel or galvanized**
- Sturdy sheet metal construction
- Maintenance-free flange bearing for version with V-belt drive

Ex protection

- Version available in ATEX **Zone 1 / 2** 

Drive

- Direct drive: Impeller mounted directly on motor shaft
- V-belt drive: Transmission of force via V-belt drive with tensioning device
- Motor: Asynchronous motor
PM motor (required with FC)

Hub seal

- Standard seal (minimal hub-to-casing gap)

Optional

- Lip seal, single or double (stainless steel or Hastelloy)
- Back-plated impeller (negative pressure in hub area)

Accessories/options

Required

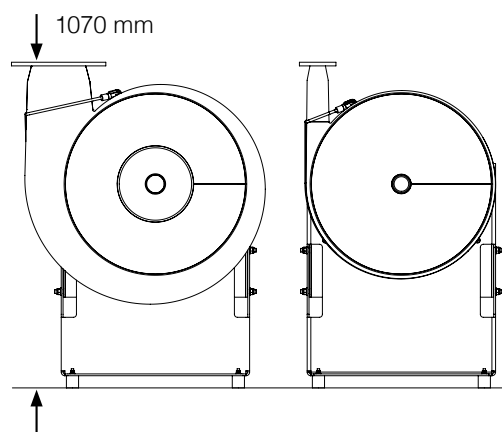
- Vibration absorbers for floor mounting
- Sleeves as flexible connection or protective grid
- Isolation switch

Optional

- Frequency converter for speed control
- Casing drain
- Motor cover

Dimensions

63, 90, 125, 160, 200, 250 mm



Plastic fans from Colasit

Since its founding in 1945, Colasit has grown to be a leading provider of fans made of corrosion-resistant plastics. Colasit has been setting the standard within its product lines for many decades. Hundreds of thousands of Colasit fans are improving air quality in the industrial sector in laboratories and building technology around the world.

Swiss quality with global support

Fan development and plastic component production take place in Switzerland to guarantee our exceptional quality. Colasit and its distribution sites all around the world provide professional consultation, sales, on-site assembly of plastic fans, installation, and service.

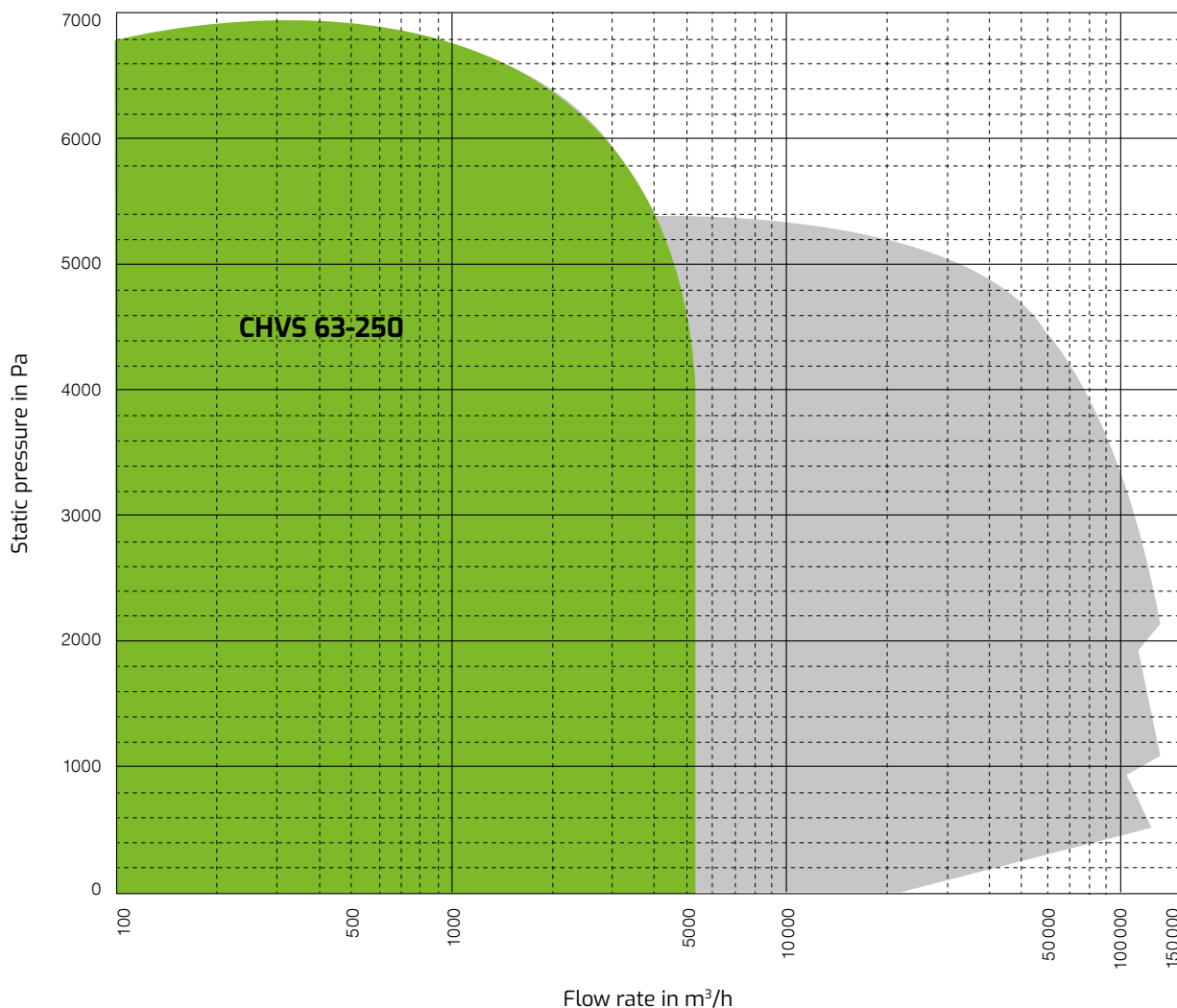
Key features

Colasit plastic fans are a durable, energy-efficient solution. Process reliability is what we ultimately offer. Our ATEX-compliant fans offer maximum safety even in potentially explosive atmospheres (Zone 1 or 2).

Online configurator ColaVent®/BIM

Our comprehensive product range provides excellent coverage of requirements for flow rates up to 130 000 m³/h and static pressures up to 7000 Pa. Colasit supports planners, engineers, and operators in designing plastic fans from Colasit with the ColaVent® online configurator at www.colasit.nl/colavent. Colasit also provides the BIM data necessary for design.

<https://colasit.partcommunity.com>



Worldwide

Colasit is a worldwide leading provider of chemically resistant fans, exhaust air purification systems, ventilation systems for corrosive and environmentally harmful exhaust air and gases as well as apparatus and processing systems for chemically aggressive liquid media.



Exhaust air purification systems made of plastic for treating environmentally hazardous exhaust air and gases



Plastic fans for efficient and safe conveying of corrosive exhaust air and gases



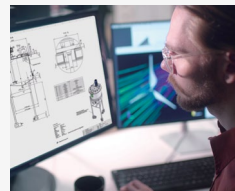
Ventilation systems made of plastic for efficient routing of corrosive exhaust air and gases



Processing systems, containers, vessels, and equipment for safe handling of chemically aggressive liquid media



Installation, repair, and replacement parts services



Consultation and engineering services in plastic construction for individual components to entire systems

COLASIT Holland B.V.

Plastic construction • Larenweg 56 • 5234 KC 's-Hertogenbosch, The Netherlands
Phone +31 (0)73 641 83 15 • verkoop@colasit.nl

www.colasit.nl

Competence in plastics. Worldwide.

