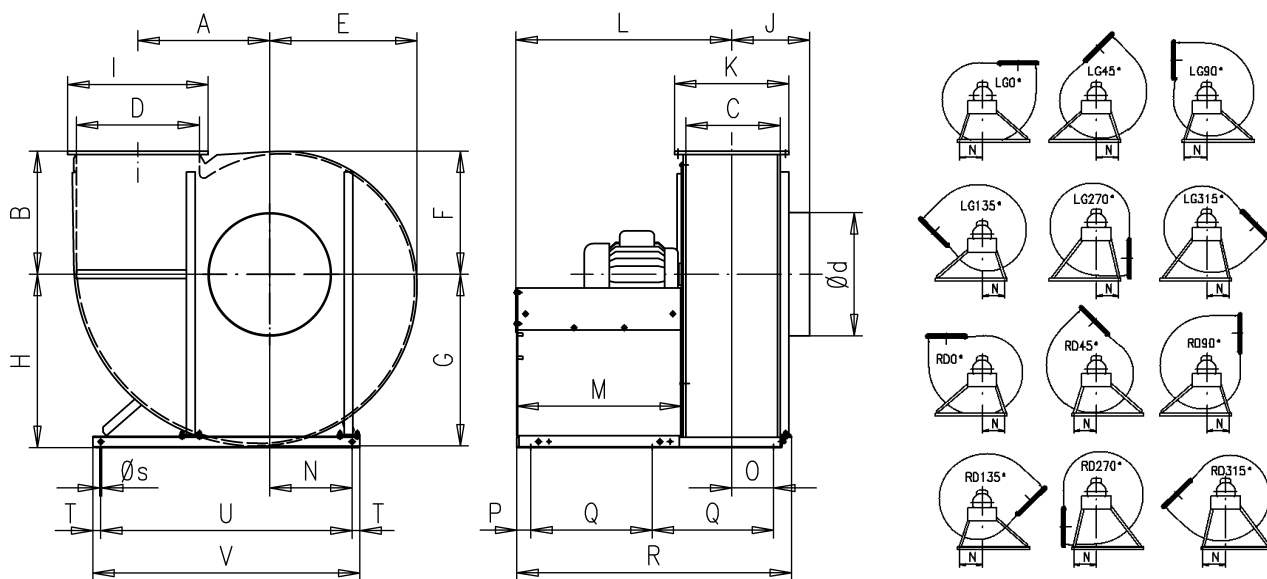


Direct drive



CHVN	315	355	400	450	500	560	630	710
A	390	446	495	480	535	600	675	760
B	355	400	450	450	500	560	630	710
C	188	224	258	355	400	450	500	560
D	424	488	546	450	500	560	630	710
Ød	315	355	400	450	500	560	630	710
E	405	459	505	544	604	675	757	850
F	329	375	417	456	506	565	633	710
G	501	569	627	632	702	785	881	990
H 0°	500	630	630	630	710	800	900	1000
H 45°	500	630	630	630	710	800	900	1000
H 90°	500	500	500	630	710	710	800	900
H 135°	500	500	500	630	630	710	710	800
H 270°	710	800	900	800	900	1000	1120	1250
H 315°	630	710	800	710	800	900	1000	1120
I	504	568	626	530	580	640	730	810
J	200	250	250	280	315	355	400	450
K	268	304	338	435	480	530	600	660
L	840	822	877	932	910	1235	1210	1310
M	700	700	700	700	700	950	950	950
N	330	330	330	330	330	475	475	475
O	60	78	95	127	150	175	200	240
P	68	68	70	60	60	60	60	50
Q	415	415	450	500	500	675	675	750
R	998	998	1070	1175	1175	1525	1525	1655
Øs	13	13	13	13	13	13	13	13
T	25	25	25	25	25	25	25	25
U	1070	1070	1070	1070	1070	1450	1450	1450
V	1120	1120	1120	1120	1120	1500	1500	1500

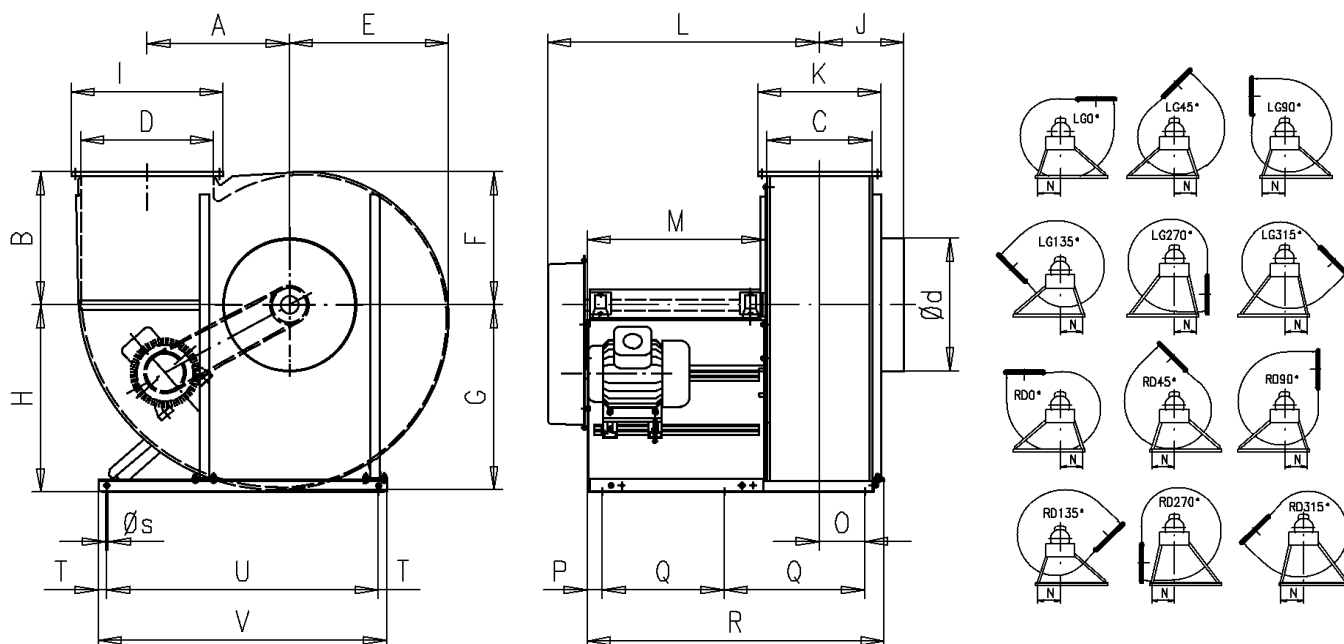
Edition 2026 • Subject to alteration • Copyright by COLASIT AG Spiez

COLASIT Holland B.V.
 Plastic construction • Larenweg 56 • NL-5234 KC 's-Hertogenbosch
 Phone +31 (0)73 641 83 15 • verkoop@colasit.nl
 www.colasit.nl

Competence in plastics. Worldwide.



V-belt drive



CHVN	315	355	400	450	500	560	630	710
A	390	446	495	480	535	600	675	760
B	355	400	450	450	500	560	630	710
C	188	224	258	355	400	450	500	560
D	424	488	546	450	500	560	630	710
Ød	315	355	400	450	500	560	630	710
E	405	459	505	544	604	675	757	850
F	329	375	417	456	506	565	633	710
G	501	569	627	632	702	785	881	990
H 0°	500	630	630	630	710	800	900	1000
H 45°	500	630	630	630	710	800	900	1000
H 90°	500	500	500	630	710	710	800	900
H 135°	500	500	500	630	630	710	710	800
H 270°	710	800	900	800	900	1000	1120	1250
H 315°	630	710	800	710	800	900	1000	1120
I	504	568	626	530	580	640	730	810
J	200	250	250	280	315	355	400	450
K	268	304	338	435	480	530	600	660
L	840	822	877	932	910	1235	1210	1310
M	700	700	700	700	700	950	950	950
N	330	330	330	330	330	475	475	475
O	60	78	95	127	150	175	200	240
P	68	68	70	60	60	60	60	50
Q	415	415	450	500	500	675	675	750
R	998	998	1070	1175	1175	1525	1525	1655
Øs	13	13	13	13	13	13	13	13
T	25	25	25	25	25	25	25	25
U	1070	1070	1070	1070	1070	1450	1450	1450
V	1120	1120	1120	1120	1120	1500	1500	1500

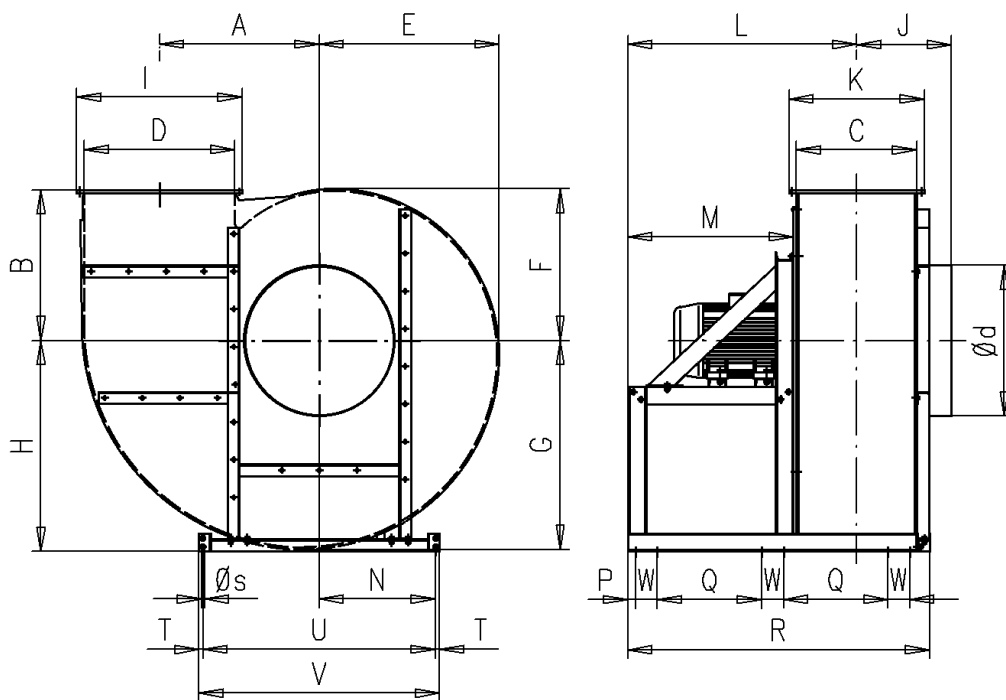
Edition 2026 • Subject to alteration • Copyright by COLASIT AG Spiez

COLASIT Holland B.V.
 Plastic construction • Larenweg 56 • NL-5234 KC 's-Hertogenbosch
 Phone +31 (0)73 641 83 15 • verkoop@colasit.nl
 www.colasit.nl

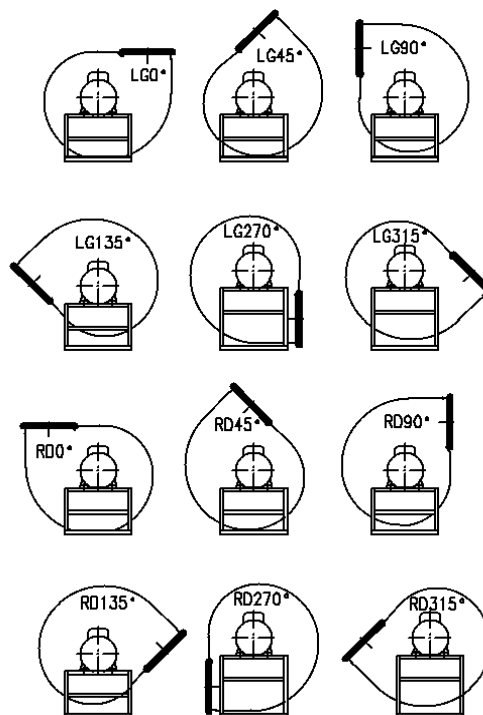
Competence in plastics. Worldwide.



Direct drive



CHVN	800	900	1000	1120	1250
A	860	964	1062	1200	1265
B	800	900	1000	1120	1120
C	630	710	800	900	1000
D	800	900	1000	1120	1250
Ød	800	900	1000	1120	1250
E	963	1081	1197	1347	1405
F	807	907	1007	1133	1155
G	1119	1255	1387	1561	1655
H 0°	1250	1250	1400	1600	1800
H 45°	1250	1250	1400	1600	1600
H 90°	1000	1250	1250	1400	1400
H 135°	1000	1250	1250	1250	1400
H 270°	1600	1600	1800	2100	2100
H 315°	1250	1400	1600	1800	1800
I	900	1000	1100	1220	1350
J	500	560	630	710	800
K	730	810	900	1000	1100
L	1435	1475	1520	1570	1620
M	1100	1100	1100	1100	1100
N	772	772	772	772	772
P	50	50	50	50	50
Q	608	648	693	743	793
R	1830	1915	2005	2105	2205
Qs	12	12	12	12	12
T	27.5	27.5	27.5	27.5	27.5
U	1545	1545	1545	1545	1545
V	1600	1600	1600	1600	1600
W	146	146	146	146	146



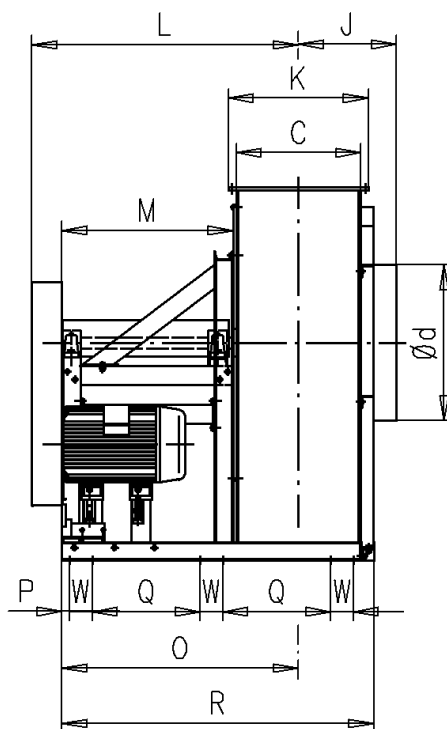
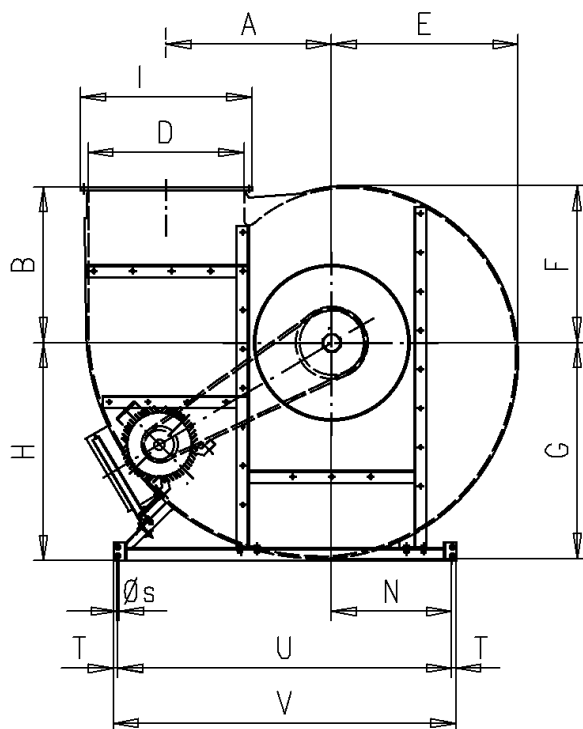
Edition 2026 • Subject to alteration • Copyright by COLASIT AG Spiez

COLASIT Holland B.V.
 Plastic construction • Larenweg 56 • NL-5234 KC 's-Hertogenbosch
 Phone +31 (0)73 641 83 15 • verkoop@colasit.nl
 www.colasit.nl

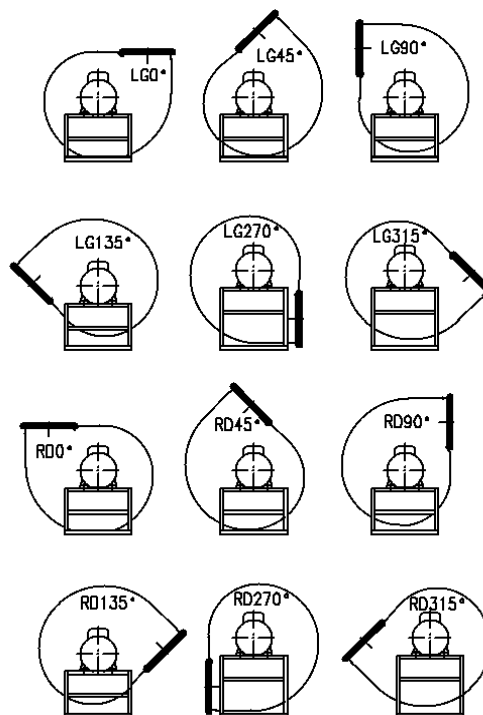
Competence in plastics. Worldwide.



V-belt drive



CHVN	800	900	1000	1120	1250
A	860	964	1062	1200	1265
B	800	900	1000	1120	1120
C	630	710	800	900	1000
D	800	900	1000	1120	1250
$\varnothing d$	800	900	1000	1120	1250
E	963	1081	1197	1347	1405
F	807	907	1007	1133	1155
G	1119	1255	1387	1561	1655
H 0°	1250	1250	1400	1600	1800
H 45°	1250	1250	1400	1600	1600
H 90°	1000	1250	1250	1400	1400
H 135°	1000	1250	1250	1250	1400
H 270°	1600	1600	1800	2100	2100
H 315°	1250	1400	1600	1800	1800
I	900	1000	1100	1220	1350
J	500	560	630	710	800
K	730	810	900	1000	1100
L	1435	1475	1520	1570	1620
M	1100	1100	1100	1100	1100
N	772	772	772	772	772
P	50	50	50	50	50
Q	608	648	693	743	793
R	1830	1915	2005	2105	2205
Qs	12	12	12	12	12
T	27.5	27.5	27.5	27.5	27.5
U	1545	1545	1545	1545	1545
V	1600	1600	1600	1600	1600
W	146	146	146	146	146



Edition 2026 • Subject to alteration • Copyright by COLASIT AG Spiez

COLASIT Holland B.V.
 Plastic construction • Larenweg 56 • NL-5234 KC 's-Hertogenbosch
 Phone +31 (0)73 641 83 15 • verkoop@colasit.nl
 www.colasit.nl

Competence in plastics. Worldwide.

