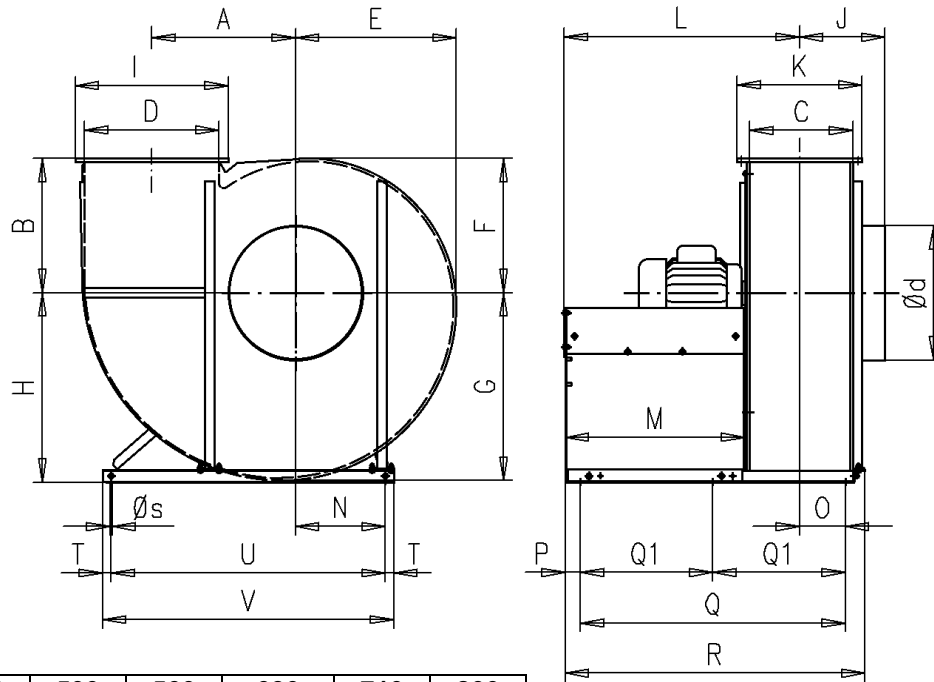
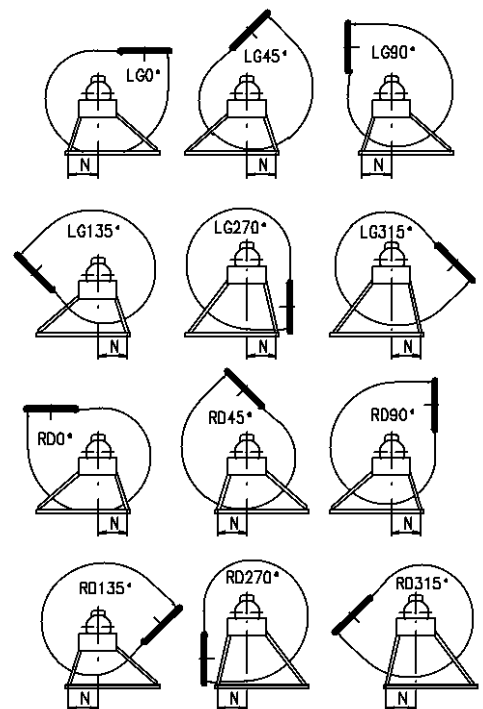


Directe aandrijving



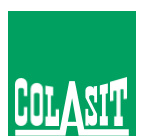
| CMMV | 450 | 500 | 560 | 630 | 710 | 800 |
|--------|------|------|------|------|------|------|
| A | 480 | 535 | 600 | 675 | 760 | 860 |
| B | 450 | 500 | 560 | 630 | 710 | 800 |
| C | 355 | 400 | 450 | 500 | 560 | 630 |
| D | 450 | 500 | 560 | 630 | 710 | 800 |
| Ød | 450 | 500 | 560 | 630 | 710 | 800 |
| E | 544 | 604 | 675 | 757 | 850 | 963 |
| F | 456 | 506 | 565 | 633 | 710 | 807 |
| G | 632 | 702 | 785 | 881 | 990 | 1119 |
| H 0° | 630 | 710 | 800 | 900 | 1000 | 1250 |
| H 45° | 630 | 710 | 800 | 900 | 1000 | 1120 |
| H 90° | 630 | 710 | 710 | 800 | 900 | 1000 |
| H 135° | 630 | 630 | 710 | 710 | 800 | 1000 |
| H 270° | 800 | 900 | 1000 | 1120 | 1250 | 1500 |
| H 315° | 710 | 800 | 900 | 1000 | 1120 | 1250 |
| I | 530 | 580 | 640 | 730 | 810 | 900 |
| J | 280 | 315 | 355 | 400 | 450 | 500 |
| K | 435 | 480 | 530 | 600 | 660 | 730 |
| L | 932 | 910 | 1235 | 1210 | 1310 | 1275 |
| M | 700 | 700 | 950 | 950 | 950 | 950 |
| N | 330 | 330 | 475 | 475 | 475 | 475 |
| O | 127 | 150 | 175 | 200 | 240 | 275 |
| P | 60 | 60 | 60 | 60 | 50 | 50 |
| Q1 | - | - | 675 | 675 | 750 | 750 |
| Q | 1000 | 1000 | 1350 | 1350 | 1500 | 1500 |
| R | 1175 | 1175 | 1525 | 1525 | 1655 | 1655 |
| Øs | 13 | 13 | 13 | 13 | 13 | 13 |
| T | 25 | 25 | 25 | 25 | 25 | 25 |
| U | 1070 | 1070 | 1450 | 1450 | 1450 | 1450 |
| V | 1120 | 1120 | 1500 | 1500 | 1500 | 1500 |



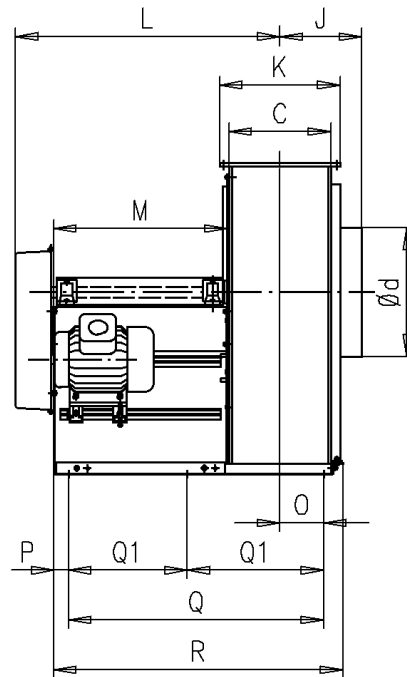
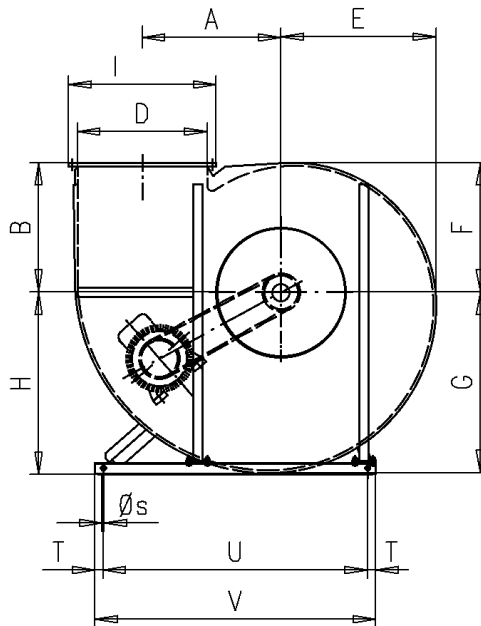
Edite 2026 • Wijzigingen voorbehouden • Copyright by COLASIT AG Spiez

COLASIT Holland B.V.
 Kunststof apparatenbouw • Larenweg 56 • NL-5234 KC 's-Hertogenbosch
 Tel. +31 (0)73 641 83 15 • verkoop@colasit.nl
 www.colasit.nl

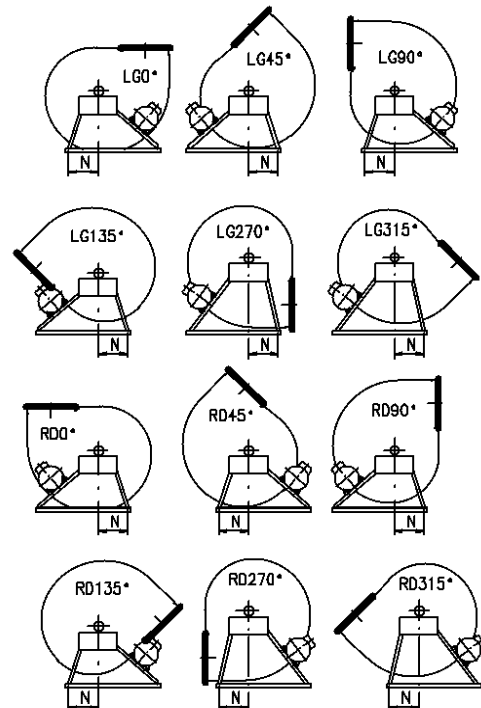
Competence in plastics. Worldwide.



V-snaaraandrijving



| CMMV | 450 | 500 | 560 | 630 | 710 | 800 |
|--------|------|------|------|------|------|------|
| A | 480 | 535 | 600 | 675 | 760 | 860 |
| B | 450 | 500 | 560 | 630 | 710 | 800 |
| C | 355 | 400 | 450 | 500 | 560 | 630 |
| D | 450 | 500 | 560 | 630 | 710 | 800 |
| Ød | 450 | 500 | 560 | 630 | 710 | 800 |
| E | 544 | 604 | 675 | 757 | 850 | 963 |
| F | 456 | 506 | 565 | 633 | 710 | 807 |
| G | 632 | 702 | 785 | 881 | 990 | 1119 |
| H 0° | 630 | 710 | 800 | 900 | 1000 | 1250 |
| H 45° | 630 | 710 | 800 | 900 | 1000 | 1120 |
| H 90° | 630 | 710 | 710 | 800 | 900 | 1000 |
| H 135° | 630 | 630 | 710 | 710 | 800 | 1000 |
| H 270° | 800 | 900 | 1000 | 1120 | 1250 | 1500 |
| H 315° | 710 | 800 | 900 | 1000 | 1120 | 1250 |
| I | 530 | 580 | 640 | 730 | 810 | 900 |
| J | 280 | 315 | 355 | 400 | 450 | 500 |
| K | 435 | 480 | 530 | 600 | 660 | 730 |
| L | 1132 | 1110 | 1235 | 1210 | 1510 | 1475 |
| M | 700 | 700 | 950 | 950 | 950 | 950 |
| N | 330 | 330 | 475 | 475 | 475 | 475 |
| O | 127 | 150 | 175 | 200 | 240 | 275 |
| P | 60 | 60 | 60 | 60 | 50 | 50 |
| Q1 | - | - | 675 | 675 | 750 | 750 |
| Q | 1000 | 1000 | 1350 | 1350 | 1500 | 1500 |
| R | 1175 | 1175 | 1525 | 1525 | 1655 | 1655 |
| Øs | 13 | 13 | 13 | 13 | 13 | 13 |
| T | 25 | 25 | 25 | 25 | 25 | 25 |
| U | 1070 | 1070 | 1450 | 1450 | 1450 | 1450 |
| V | 1120 | 1120 | 1500 | 1500 | 1500 | 1500 |



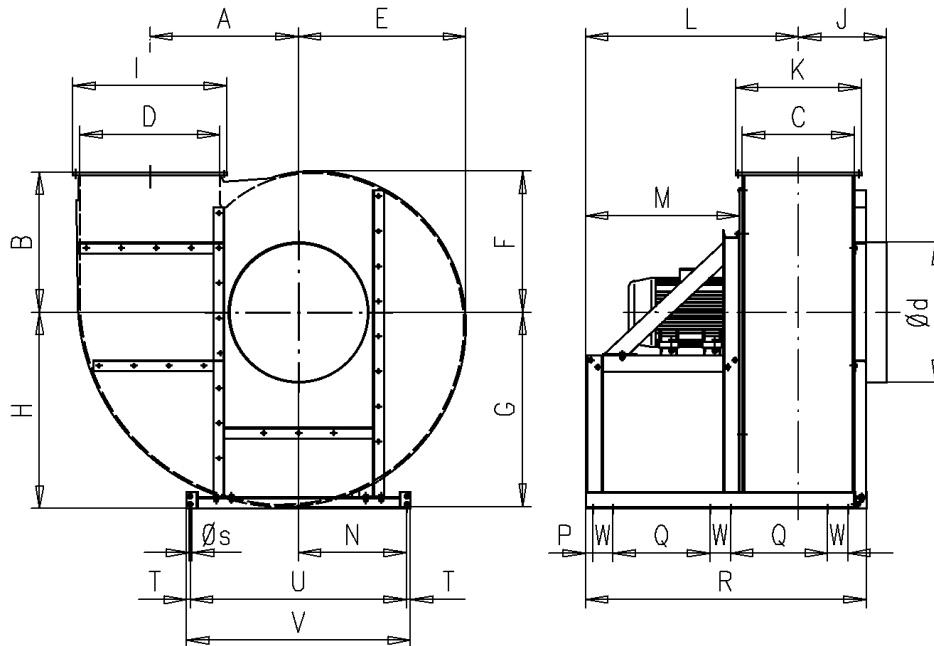
Edite 2026 • Wijzigingen voorbehouden • Copyright by COLASIT AG Spiez

COLASIT Holland B.V.
 Kunststof apparatenbouw • Larenweg 56 • NL-5234 KC 's-Hertogenbosch
 Tel. +31 (0)73 641 83 15 • verkoop@colasit.nl
 www.colasit.nl

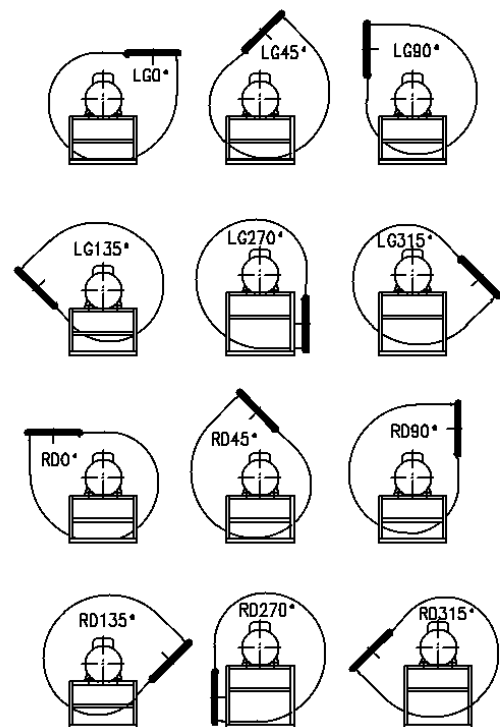
Competence in plastics. Worldwide.



Directe aandrijving



| CMMV | 900 | 1000 | 1120 | 1250 |
|--------|------|------|------|------|
| A | 964 | 1062 | 1200 | 1265 |
| B | 900 | 1000 | 1120 | 1120 |
| C | 710 | 800 | 900 | 1000 |
| D | 900 | 1000 | 1120 | 1250 |
| Ød | 900 | 1000 | 1120 | 1250 |
| E | 1081 | 1197 | 1347 | 1405 |
| F | 907 | 1007 | 1133 | 1155 |
| G | 1255 | 1387 | 1561 | 1655 |
| H 0° | 1250 | 1400 | 1600 | 1800 |
| H 45° | 1250 | 1400 | 1600 | 1600 |
| H 90° | 1250 | 1250 | 1400 | 1400 |
| H 135° | 1250 | 1250 | 1250 | 1400 |
| H 270° | 1600 | 1800 | 2100 | 2100 |
| H 315° | 1400 | 1600 | 1800 | 1800 |
| I | 1000 | 1100 | 1220 | 1350 |
| J | 560 | 630 | 710 | 800 |
| K | 810 | 900 | 1000 | 1100 |
| L | 1475 | 1520 | 1570 | 1620 |
| M | 1100 | 1100 | 1100 | 1100 |
| N | 772 | 772 | 772 | 772 |
| P | 50 | 50 | 50 | 50 |
| Q | 648 | 693 | 743 | 793 |
| R | 1915 | 2005 | 2105 | 2205 |
| Qs | 12 | 12 | 12 | 12 |
| T | 27.5 | 27.5 | 27.5 | 27.5 |
| U | 1545 | 1545 | 1545 | 1545 |
| V | 1600 | 1600 | 1600 | 1600 |
| W | 146 | 146 | 146 | 146 |



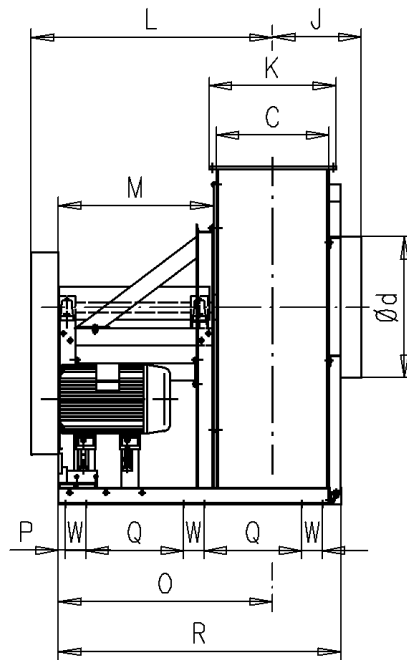
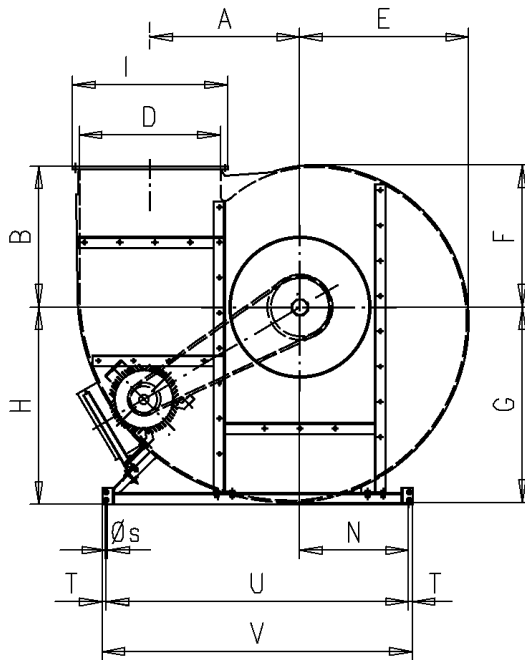
Edite 2026 • Wijzigingen voorbehouden • Copyright by COLASIT AG Spiez

COLASIT Holland B.V.
 Kunststof apparatenbouw • Larenweg 56 • NL-5234 KC 's-Hertogenbosch
 Tel. +31 (0)73 641 83 15 • verkoop@colasit.nl
 www.colasit.nl

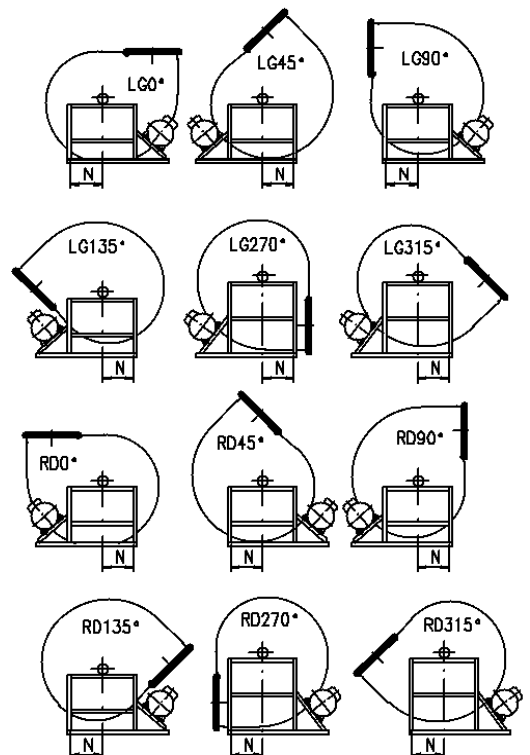
Competence in plastics. Worldwide.



V-snaaraandrijving



| CMMV | 900 | 1000 | 1120 | 1250 |
|--------|------|------|------|------|
| A | 964 | 1062 | 1200 | 1265 |
| B | 900 | 1000 | 1120 | 1120 |
| C | 710 | 800 | 900 | 1000 |
| D | 900 | 1000 | 1120 | 1250 |
| Ød | 900 | 1000 | 1120 | 1250 |
| E | 1081 | 1197 | 1347 | 1405 |
| F | 907 | 1007 | 1133 | 1155 |
| G | 1255 | 1387 | 1561 | 1655 |
| H 0° | 1250 | 1400 | 1600 | 1800 |
| H 45° | 1250 | 1400 | 1600 | 1600 |
| H 90° | 1250 | 1250 | 1400 | 1400 |
| H 135° | 1250 | 1250 | 1250 | 1400 |
| H 270° | 1600 | 1800 | 2100 | 2100 |
| H 315° | 1400 | 1600 | 1800 | 1800 |
| I | 1000 | 1100 | 1220 | 1350 |
| J | 560 | 630 | 710 | 800 |
| K | 810 | 900 | 1000 | 1100 |
| L | 1665 | 1710 | 1760 | 1810 |
| M | 1100 | 1100 | 1100 | 1100 |
| N | 772 | 772 | 772 | 772 |
| O | 1475 | 1520 | 1570 | 1620 |
| P | 50 | 50 | 50 | 50 |
| Q | 648 | 693 | 743 | 793 |
| R | 1915 | 2005 | 2105 | 2205 |
| Qs | 12 | 12 | 12 | 12 |
| T | 27.5 | 27.5 | 27.5 | 27.5 |
| U | 2145 | 2145 | 2145 | 2145 |
| V | 2200 | 2200 | 2200 | 2200 |
| W | 146 | 146 | 146 | 146 |



Edite 2026 • Wijzigingen voorbehouden • Copyright by COLASIT AG Spiez

COLASIT Holland B.V.
 Kunststof apparatenbouw • Larenweg 56 • NL-5234 KC 's-Hertogenbosch
 Tel. +31 (0)73 641 83 15 • verkoop@colasit.nl
 www.colasit.nl

Competence in plastics. Worldwide.

