

Overview

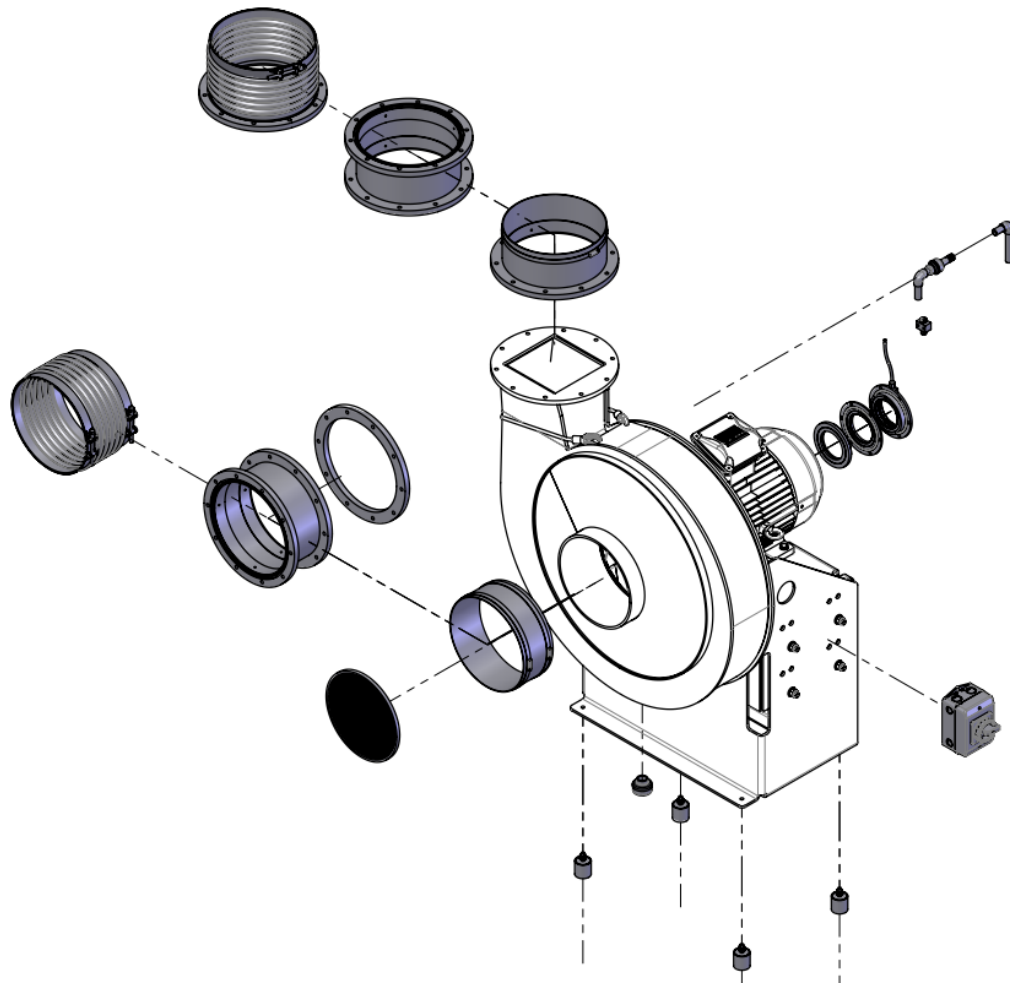


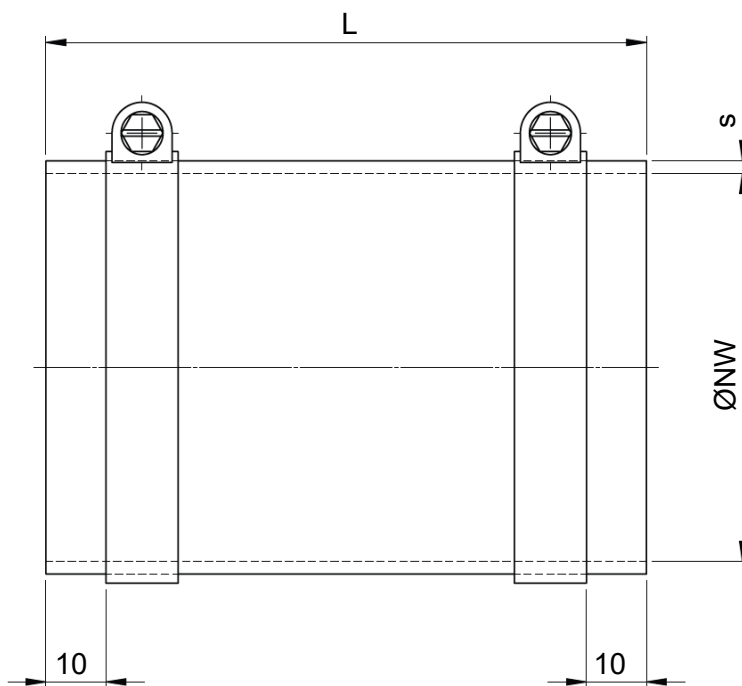
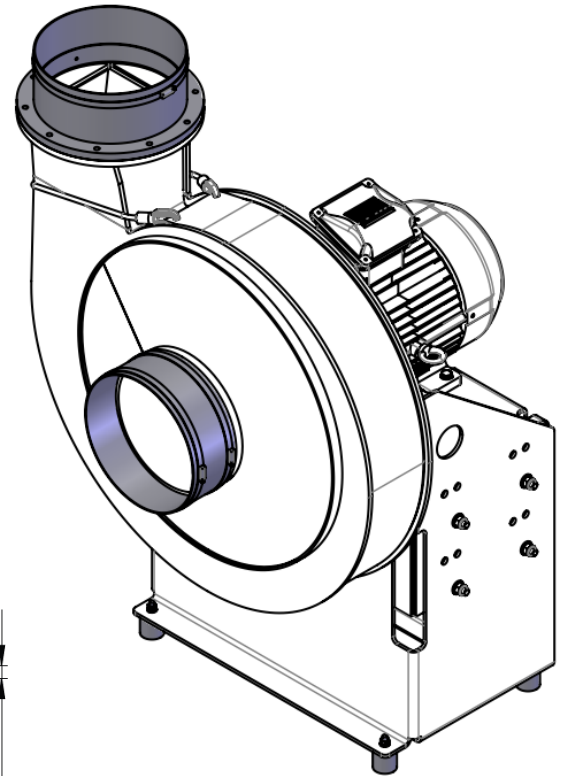
Table of contents

Sleeve round with hose clamps *	2
PVC sleeve with flange on one side and hose clamp *	3
PVC sleeve with flange on both sides *	4
Flange CN *	5
Wellflex sleeve with hose clamps *	6
Vibration absorber for floor mounting *	10
Protective grid (mesh grille)	11
Casing drain	12
Hub seal	13
Frequency converter for speed control	15
Inspection switch	15

*Required selection for operation

Sleeve round with hose clamps *

- Material Soft PVC (sleeve)
 Stainless steel (hose clamp)

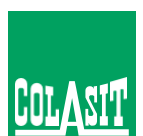


NW Ø	L	s
63-250	100	2

Edition 2026 • Subject to alteration • Copyright by COLASIT AG Spiez

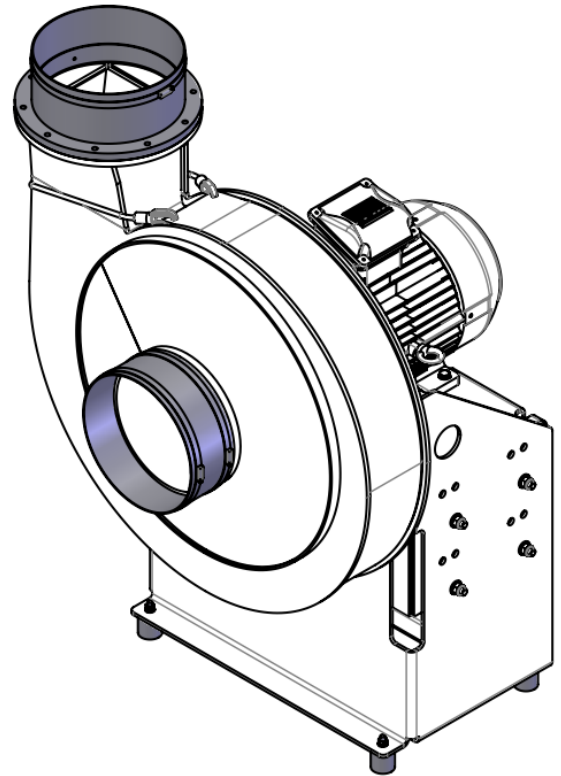
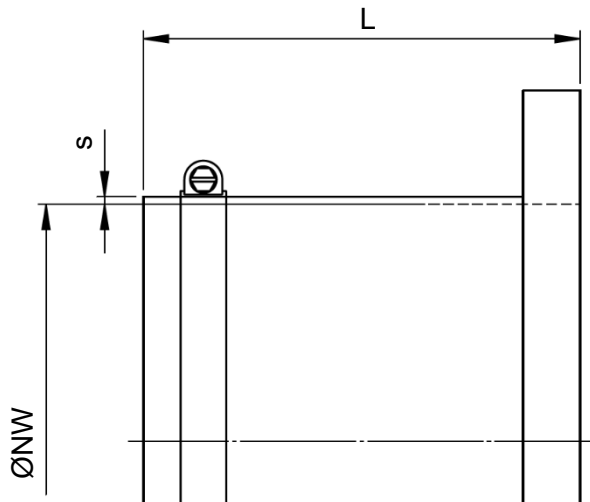
COLASIT Holland B.V.
Plastic construction • Larenweg 56 • NL-5234 KC 's-Hertogenbosch
Phone +31 (0)73 641 83 15 • verkoop@colasit.nl
www.colasit.nl

Competence in plastics. Worldwide.



PVC sleeve with flange on one side and hose clamp *

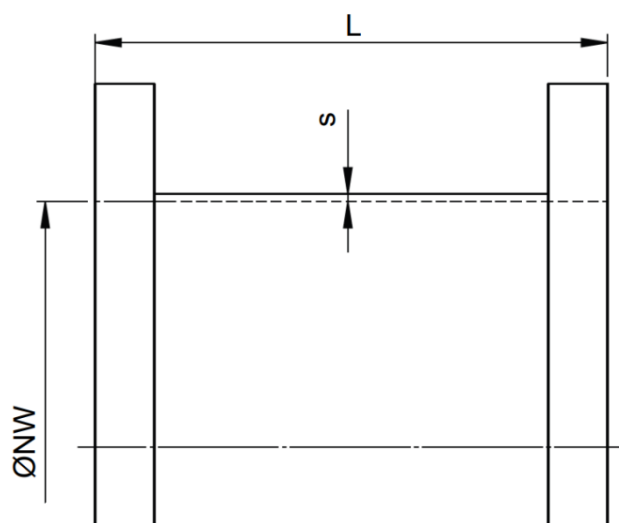
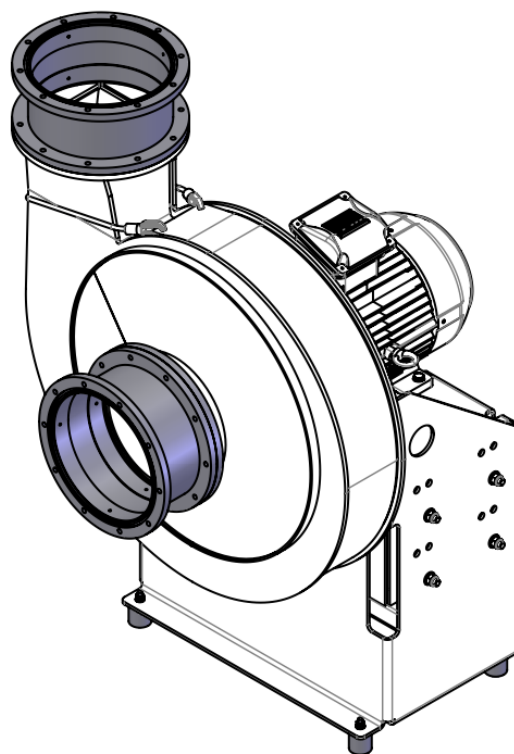
- Material PVC (flange)
Soft PVC (sleeve)



NW Ø	L	s
63-250	115	2

PVC sleeve with flange on both sides *

- Material PVC (flange)
 Soft PVC (sleeve)
- Application in combination with "Flange CN"



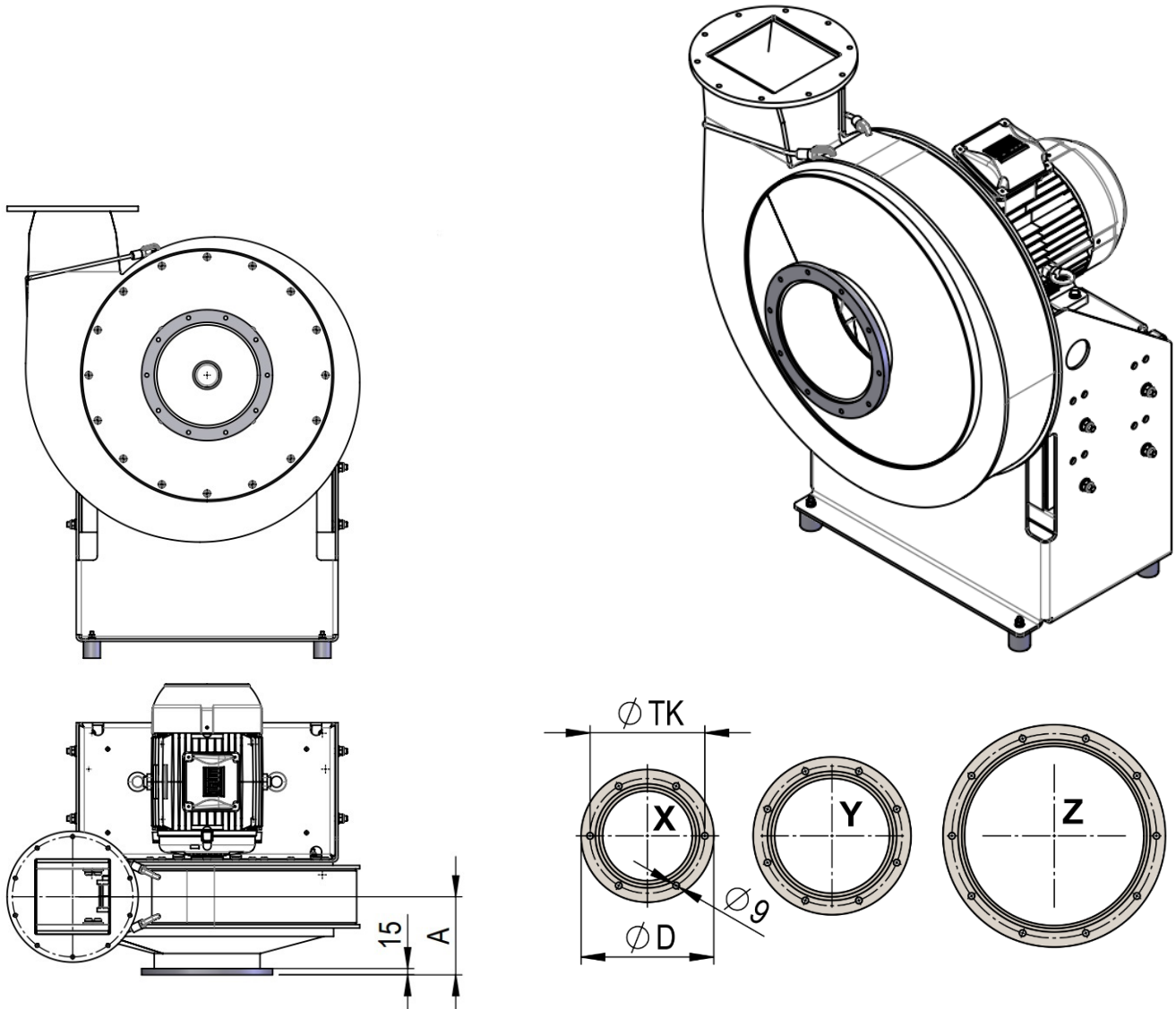
NW Ø	L	s
63-250	130	2

Edition 2026 • Subject to alteration • Copyright by COLASIT AG Spiez



Flange CN *

- Material PE, PP, PPs, PPs-el, PVDF, PVDF, PVC (same as housing)



Ø NW	A	Ø D	Ø TC	No. Ø9	Hole pattern
63	185	120	95	6	X
90	185	150	125	6	X
125	185	185	160	6	X
160	185	220	195	8	Y
200	185	260	235	10	Z
250	185	310	285	10	Z

Edition 2026 • Subject to alteration • Copyright by COLASIT AG Spiez

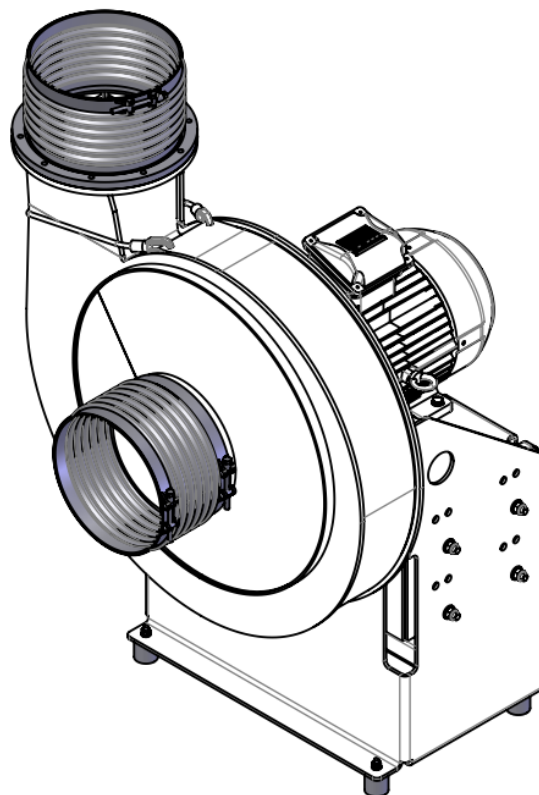
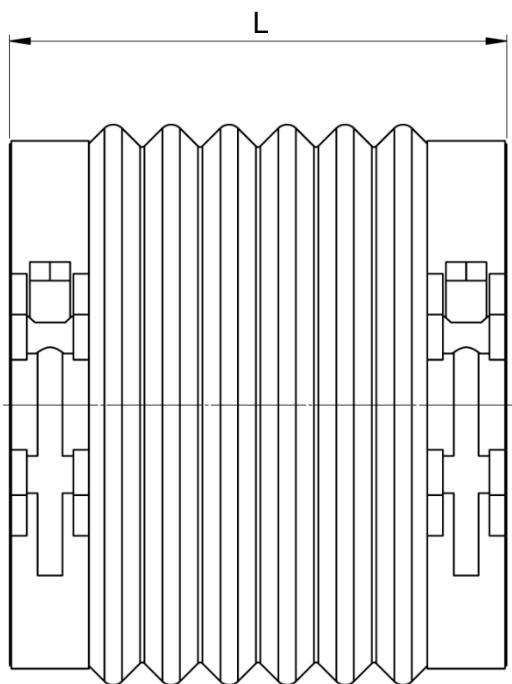
COLASIT Holland B.V.
 Plastic construction • Larenweg 56 • NL-5234 KC 's-Hertogenbosch
 Phone +31 (0)73 641 83 15 • verkoop@colasit.nl
 www.colasit.nl

Competence in plastics. Worldwide.



Wellflex sleeve with hose clamps *

- Material PVC-el (sleeve, electrically conductive)
 galvanised (hose clamp)
- Application ATEX (Zone 1)

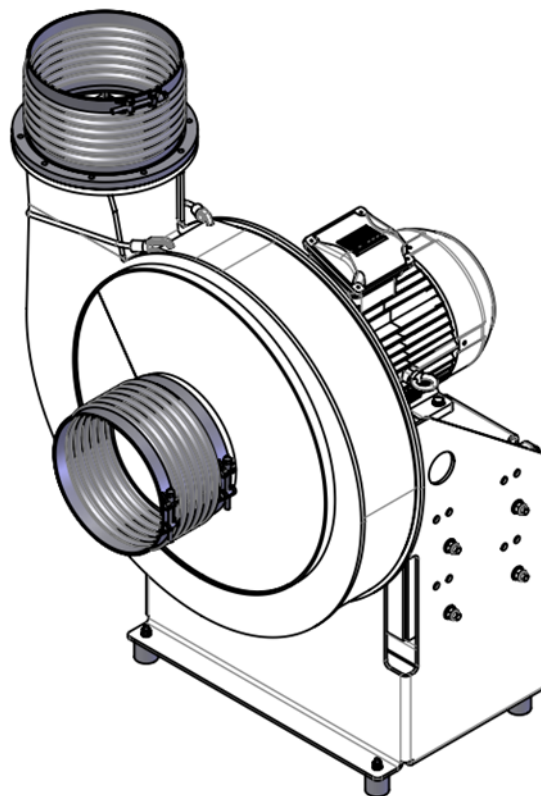
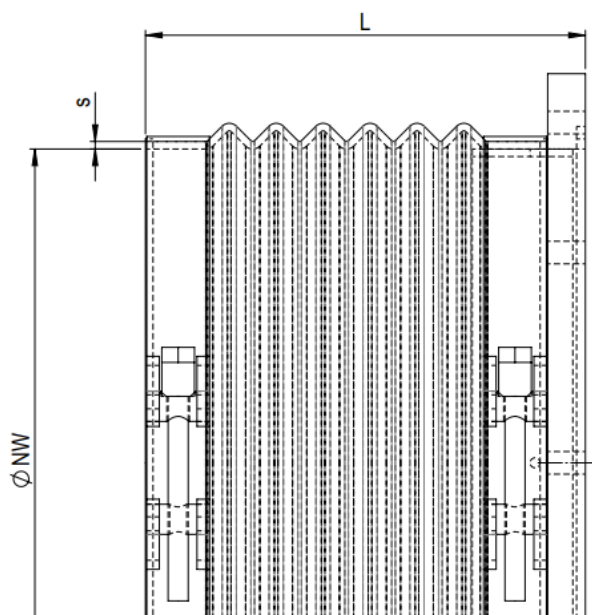


NW Ø	L
125, 160, 200	155
250	160

Edition 2026 • Subject to alteration • Copyright by COLASIT AG Spiez

Wellflex sleeve round with flange on one side *

- Material PVC (flange)
PVC-el (sleeve, electrically conductive)
Galvanised (hose clamp)
- Application ATEX (Zone 1), Blow-out side



Ø NW	L	s
125, 160, 200, 250	175	3

Edition 2026 • Subject to alteration • Copyright by COLASIT AG Spiez

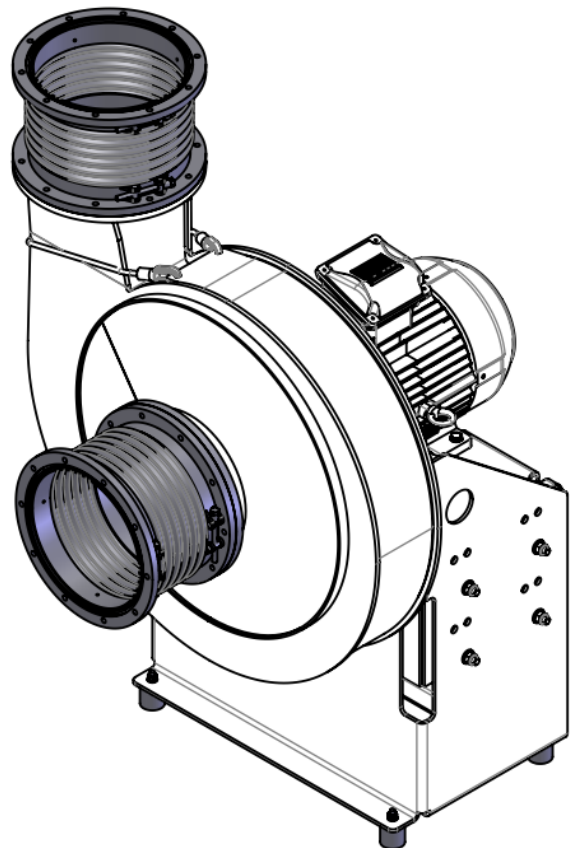
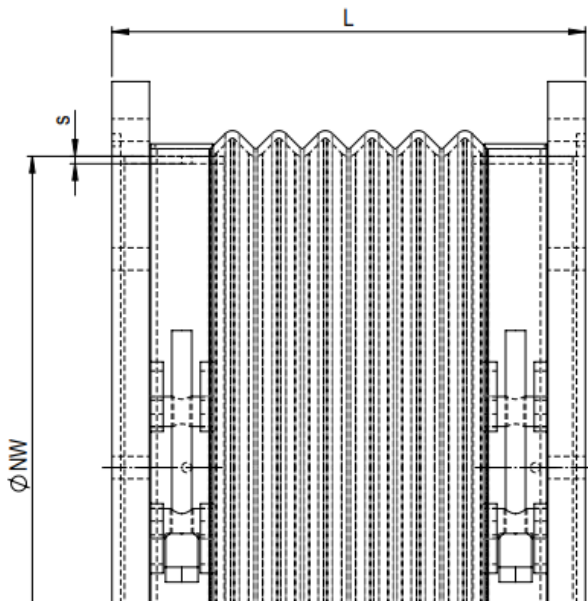
COLASIT Holland B.V.
 Plastic construction • Larenweg 56 • NL-5234 KC 's-Hertogenbosch
 Phone +31 (0)73 641 83 15 • verkoop@colasit.nl
www.colasit.nl

Competence in plastics. Worldwide.



Wellflex sleeve round with flange on both sides *

- Material
 - PVC (flange)
 - PVC-el (sleeve, electrically conductive)
 - verzinkt (hose clamp)
- Application
 - in combination with «Flange CN» (suction side)
 - ATEX (Zone 1)

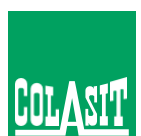


Ø NW	L	s
125, 160, 200, 250	190	3

Edition 2026 • Subject to alteration • Copyright by COLASIT AG Spiez

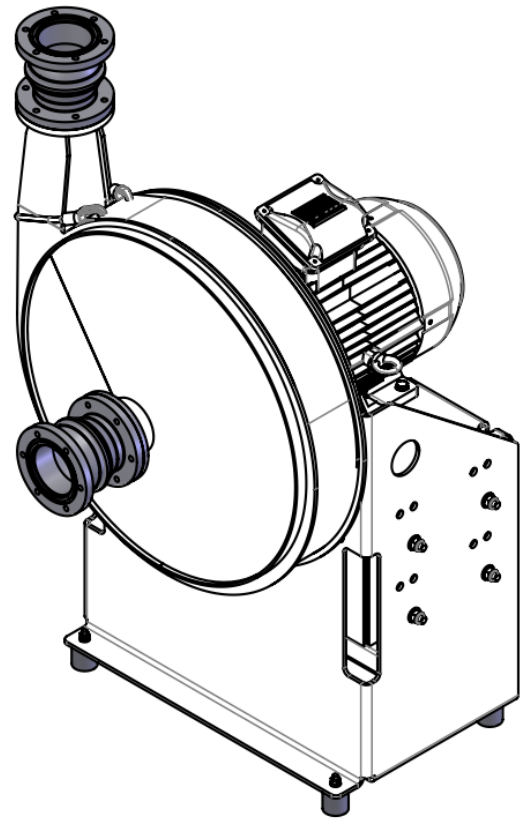
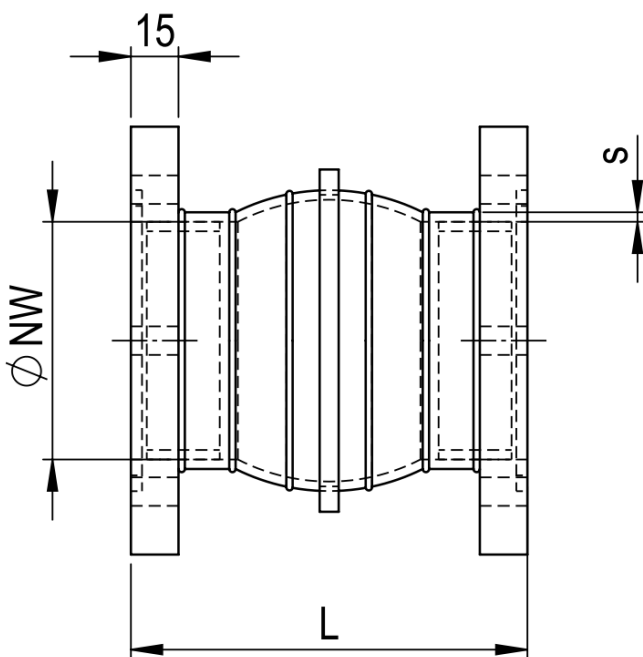
COLASIT Holland B.V.
 Plastic construction • Larenweg 56 • NL-5234 KC 's-Hertogenbosch
 Phone +31 (0)73 641 83 15 • verkoop@colasit.nl
www.colasit.nl

Competence in plastics. Worldwide.



Ball cuff PPs-el with flange

- Material PPs-el (flange)
PP-el (ball sleeve)
- Application in combination with « Flange CN»
ATEX (Zone 1)

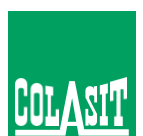


NW Ø	L	s
63, 90, 110	125	2

Edition 2026 • Subject to alteration • Copyright by COLASIT AG Spiez

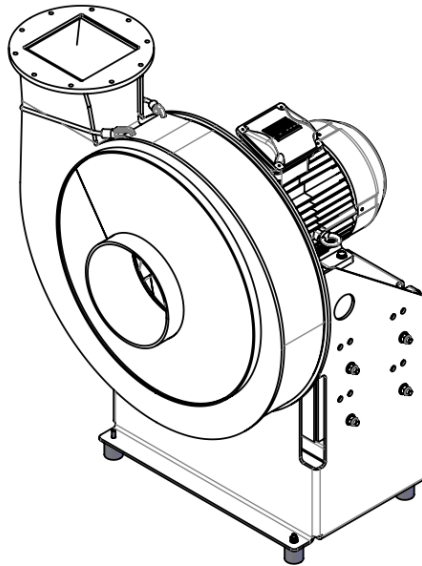
COLASIT Holland B.V.
 Plastic construction • Larenweg 56 • NL-5234 KC 's-Hertogenbosch
 Phone +31 (0)73 641 83 15 • verkoop@colasit.nl
www.colasit.nl

Competence in plastics. Worldwide.

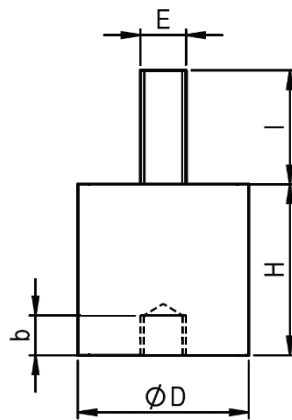


Vibration absorber for floor mounting *

- Material Natural rubber (vibrating element)
Galvanised, stainless steel (mounting vibration damper)



Vibration absorber for floor mounting



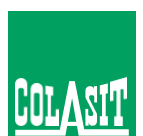
Round buffer Type	Dimensions					Max. Load per pc.
	D	H	E	I	b	
40/40, B	40	40	M8	23	7	90 kg

Fan type	Floor mounting	Number of elements
CHVS 63-250	40/40, B	4

Edition 2026 • Subject to alteration • Copyright by COLASIT AG Spiez

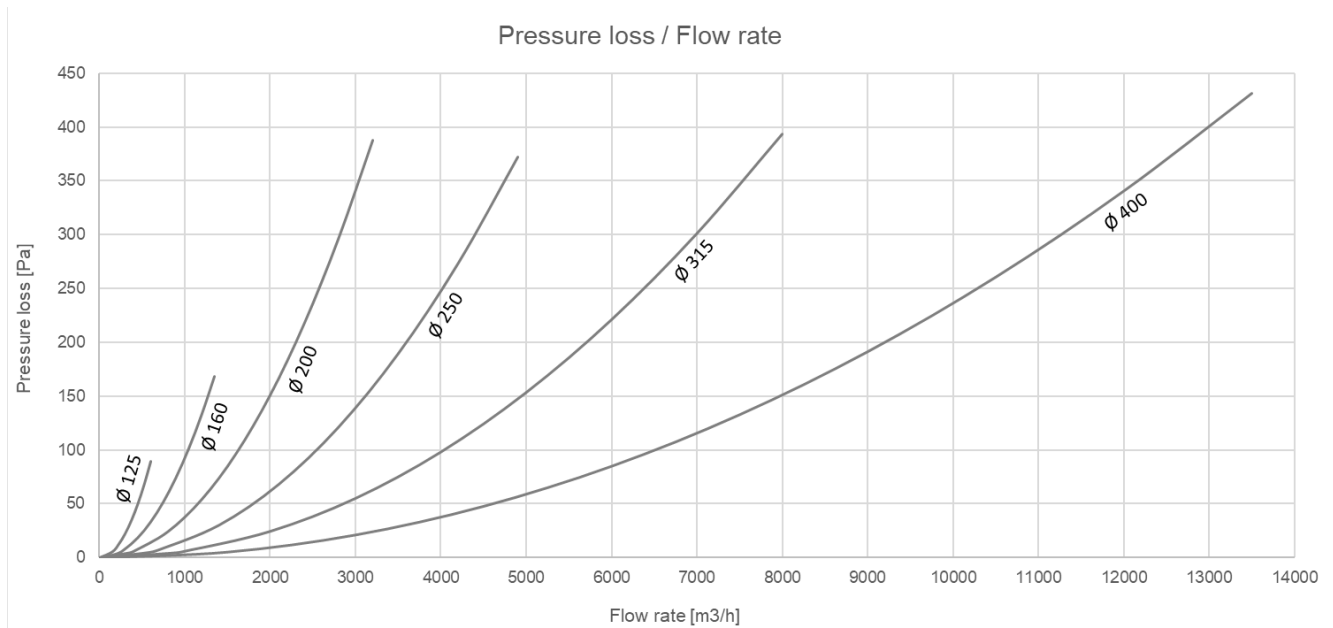
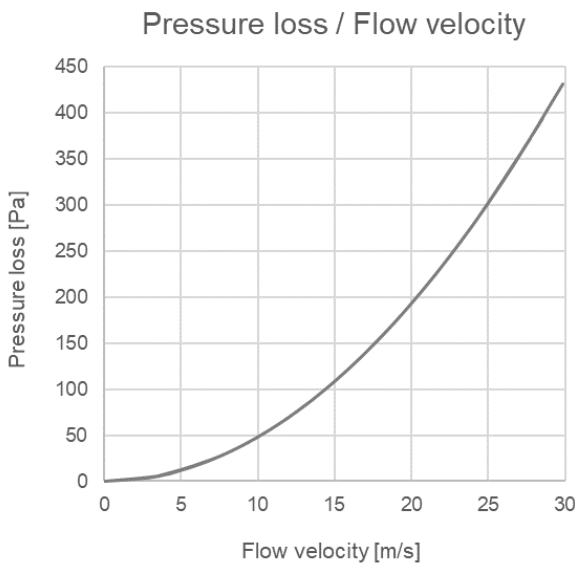
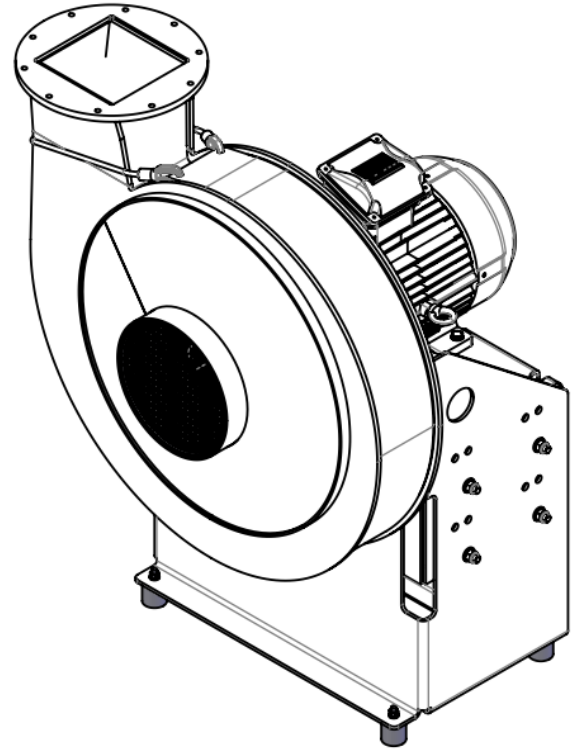
COLASIT Holland B.V.
Plastic construction • Larenweg 56 • NL-5234 KC 's-Hertogenbosch
Phone +31 (0)73 641 83 15 • verkoop@colasit.nl
www.colasit.nl

Competence in plastics. Worldwide.

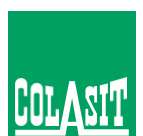


Protective grid (mesh grille)

- Material PE, PPs, PPs-el, PVC
- Square perforation 10mm (IP20)
- Free cross-section 69.4%
- Mounting Welded on suction side
- Application only with free sucking or blowing out required

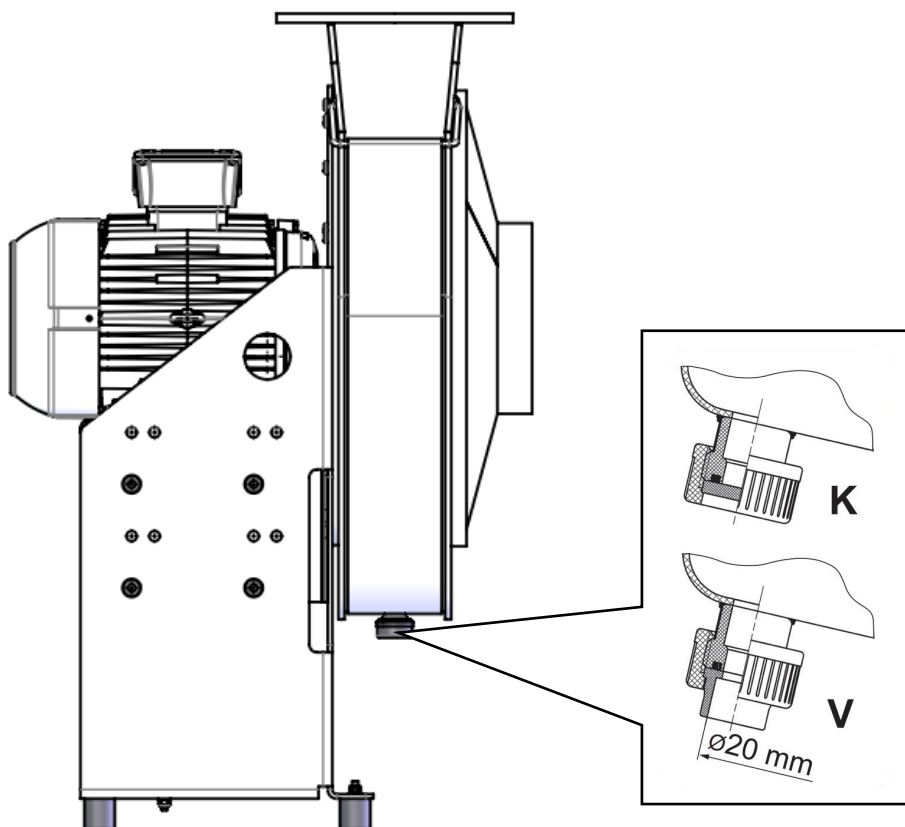


Edition 2026 • Subject to alteration • Copyright by COLASIT AG Spiez



Casing drain

- Material PE, PP, PVDF, PVC

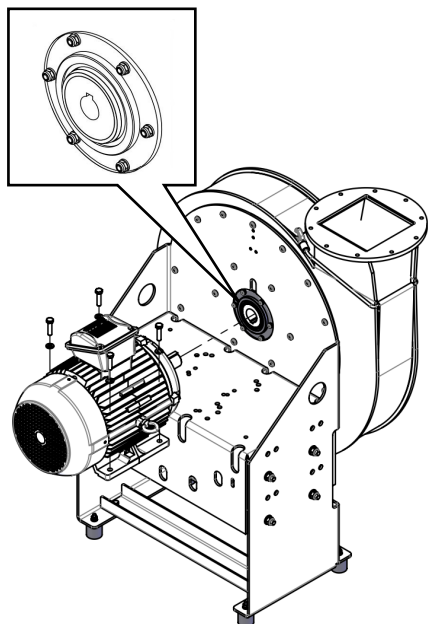


Fan type	with cap	with threaded fasteners
CHVS 63-250	Type K	Type V

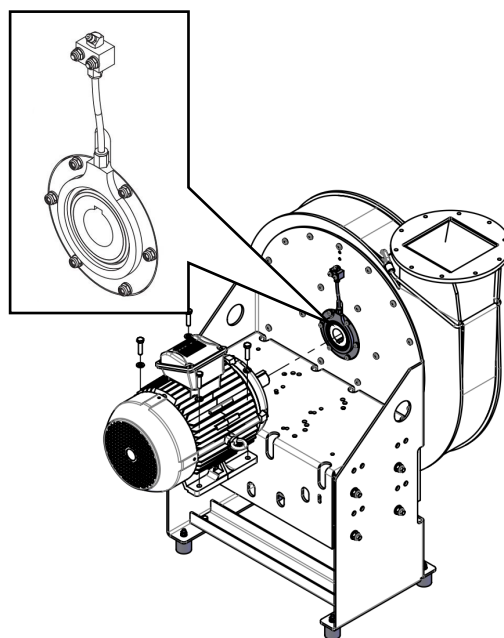
Hub seal

Lip seal

- Housing material 1.4435
- Seal material PTFE

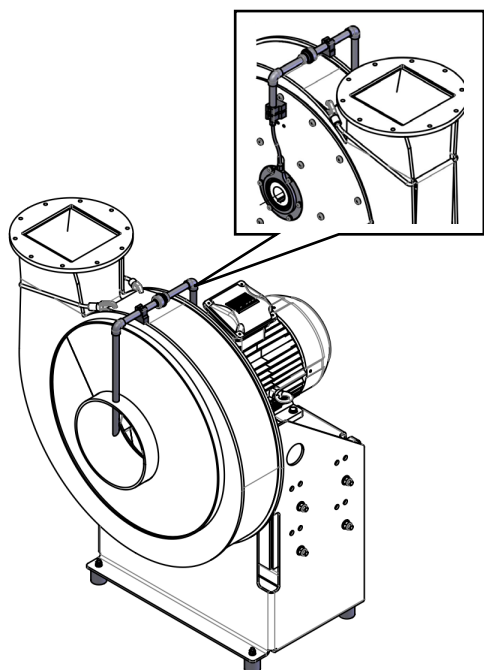


Single lip seal

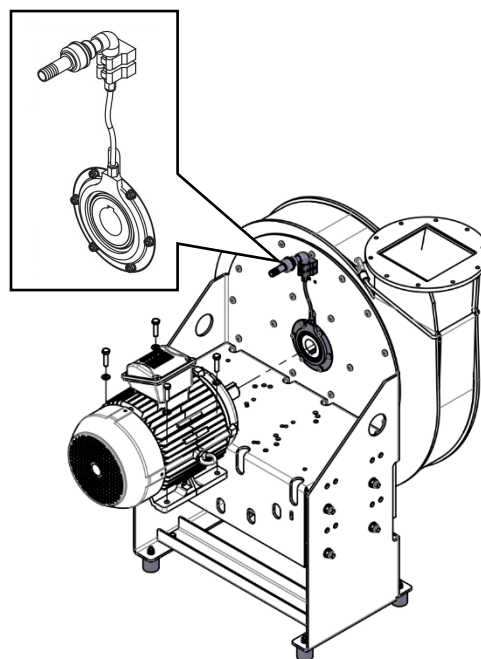


Double seal with relubrication nipple

- The following additions to the double seal are possible



Suction back suction



Sealing gas option

Edition 2026 • Subject to alteration • Copyright by COLASIT AG Spiez

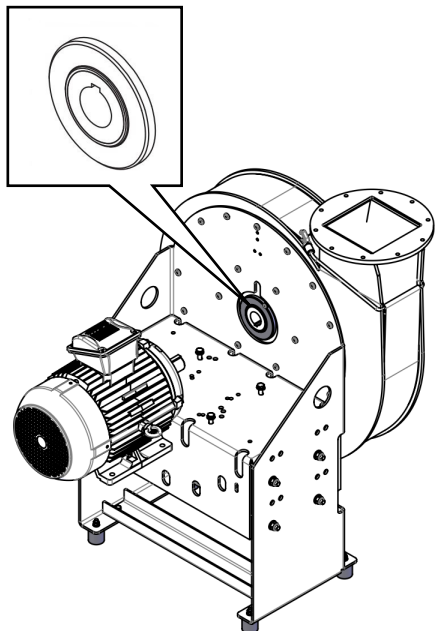
COLASIT Holland B.V.
 Plastic construction • Larenweg 56 • NL-5234 KC 's-Hertogenbosch
 Phone +31 (0)73 641 83 15 • verkoop@colasit.nl
 www.colasit.nl

Competence in plastics. Worldwide.



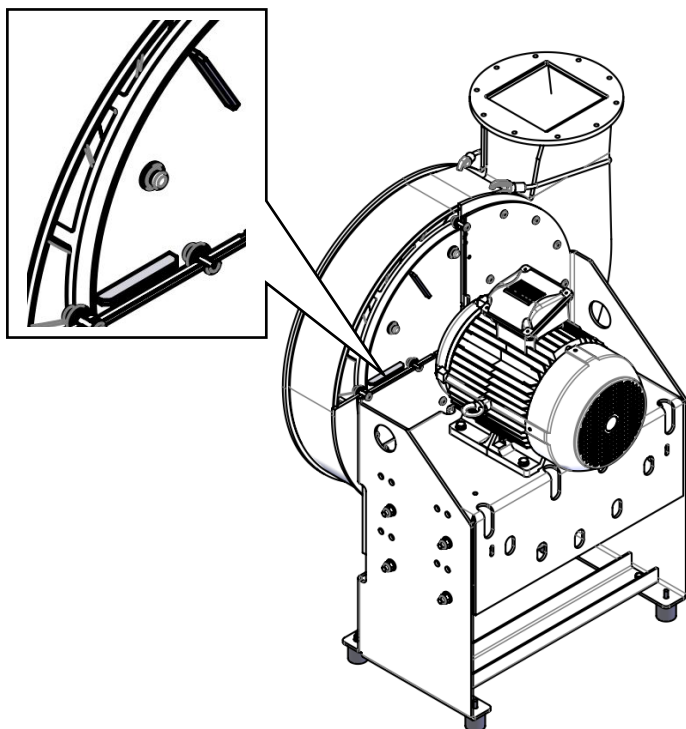
Felt seal

- Housing material PE, PP, PPs, PPs-el, PVDF, PVC (same as housing)
- Seal material Felt



Back plated impeller (negative pressure in the hub area)

- Material PPs, PPs-el, PVDF (same as impeller)



Edition 2026 • Subject to alteration • Copyright by COLASIT AG Spiez

COLASIT Holland B.V.

Plastic construction • Larenweg 56 • NL-5234 KC 's-Hertogenbosch

Phone +31 (0)73 641 83 15 • verkoop@colasit.nl

www.colasit.nl

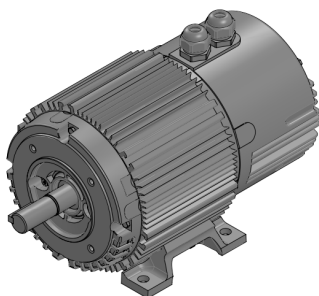
Competence in plastics. Worldwide.



Frequency converter for speed control

Motor with built-in frequency converter

- Safety class IP55
- Speed adjustment Stepless with external control signal

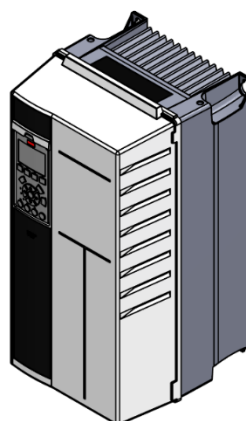


Frequency converter

- Safety class IP20 to IP55
- Speed adjustment Stepless with integrated control panel
Stepless with external control signal



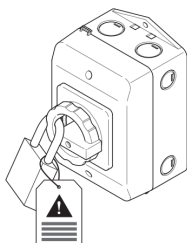
*Frequency converter IP20
for control cabinet installation*



*Frequency converter IP55
for external installation*

Inspection switch

- Safety class IP66
- Revision protection: lockable



Edition 2026 • Subject to alteration • Copyright by COLASIT AG Spiez

COLASIT Holland B.V.
 Plastic construction • Larenweg 56 • NL-5234 KC 's-Hertogenbosch
 Phone +31 (0)73 641 83 15 • verkoop@colasit.nl
www.colasit.nl

Competence in plastics. Worldwide.

