

Overview

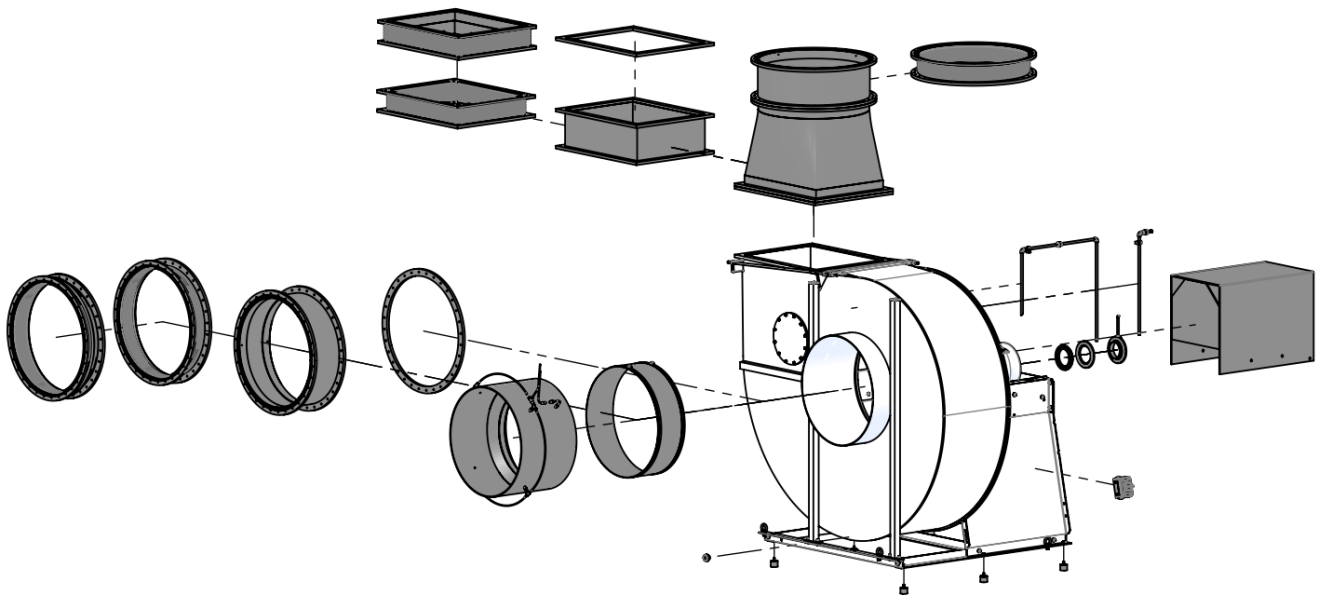


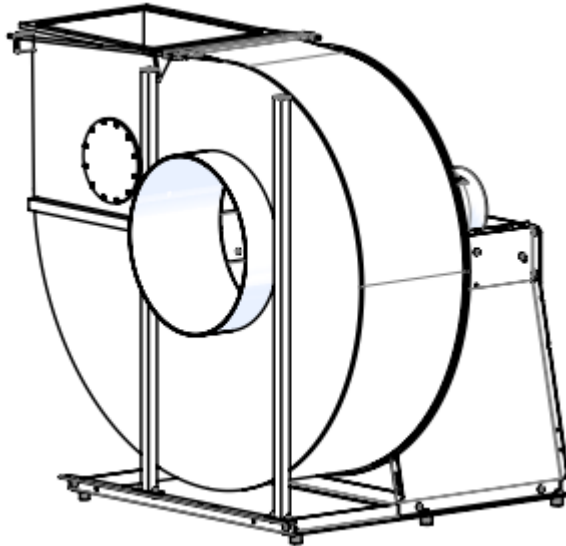
Table of contents

Vibration absorber for floor mounting for sheet metal uprights *	2
Sleeve round with tensioning straps *	3
Flange CN *	4
Flange CN rectangular *	5
PVC sleeve round with flange on both sides *	6
PVC sleeve with rectangular flange on both sides *	7
Wellflex sleeve round with flange on both sides *	8
Wellflex sleeve square with flange on both sides *	9
Casing drain.....	10
Hub seal.....	11
Motor cover direct drive	14
Motor cover V-belt drive.....	14
Flow rate measuring point	15
Frequency converter for speed control.....	16

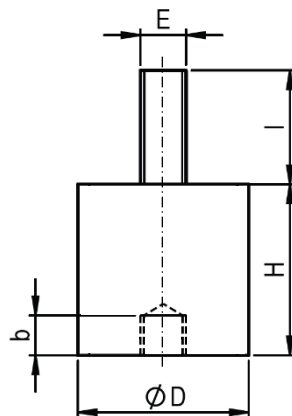
*Required selection for operation

Vibration absorber for floor mounting for sheet metal uprights *

- Material Natural rubber (vibration element)
Galvanised, stainless steel (mounting vibration damper)



Vibration damper for floor mounting



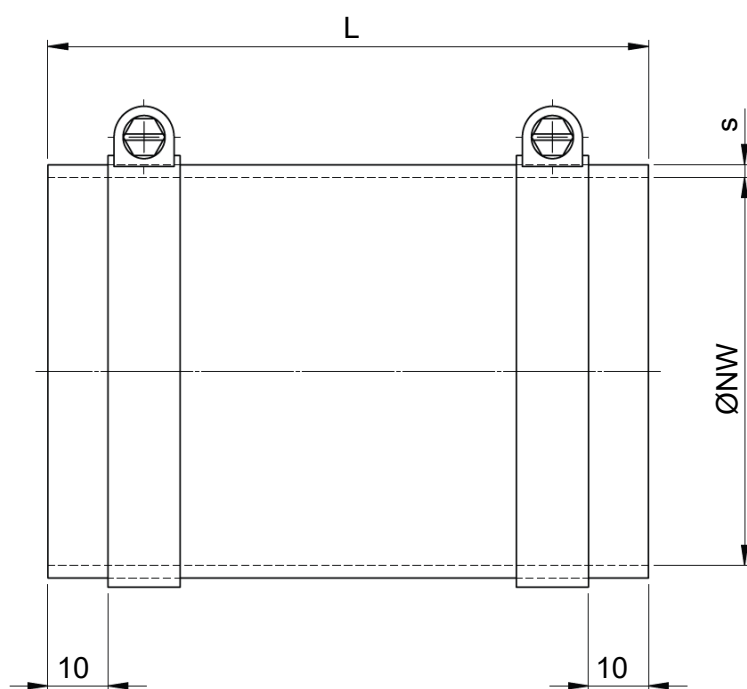
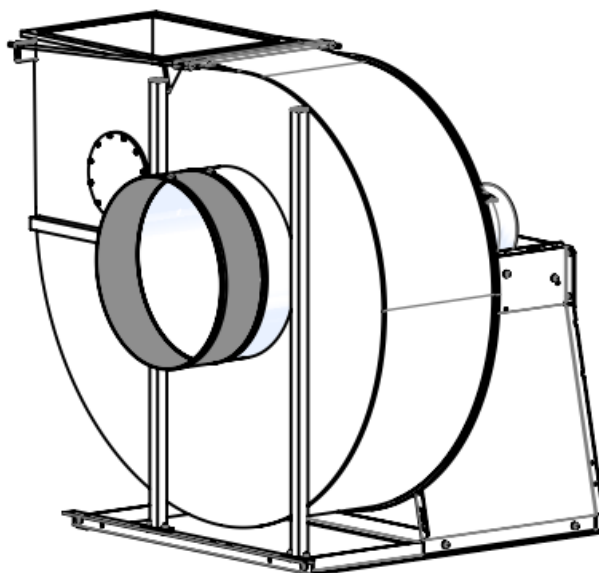
Round isolator type	Dimensions					Max. per pc.
	D	H	E	I	b	
40/40, B	40	40	M8	23	7	90 kg
50/50, B	50	50	M10	28	10	150 kg

Fan type	Floor mounting	Number of elements
CMMV 450-560	40/40, B	4
CMMV 630	50/50, B	4
CMMV 710-800	50/50, B	6

Edition 2026 • Subject to alteration • Copyright by COLASIT AG Spiez

Sleeve round with tensioning straps *

- Material Soft PVC (sleeve)
 Stainless steel (tensioning strap)
- Application Intake side



NW Ø	L	s
450-500	160	3
560-710	200	3
800	250	3

Edition 2026 • Subject to alteration • Copyright by COLASIT AG Spiez

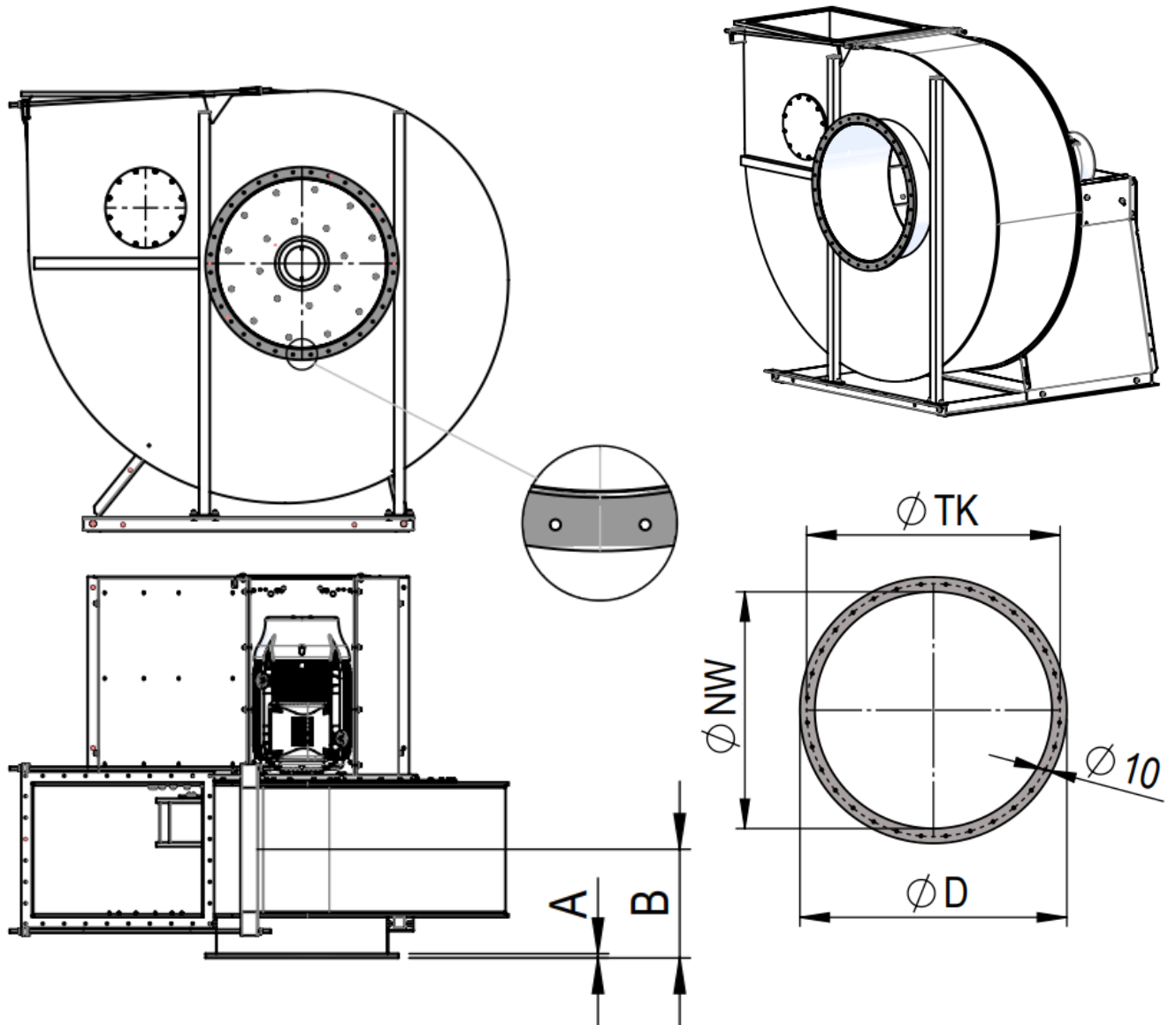
COLASIT Holland B.V.
 Plastic construction • Larenweg 56 • NL-5234 KC 's-Hertogenbosch
 Phone +31 (0)73 641 83 15 • verkoop@colasit.nl
www.colasit.nl

Competence in plastics. Worldwide.



Flange CN *

- Material PE, PP, PPs, PPs-el, PVDF, PVC (same as casing)

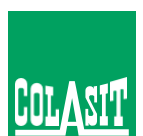


Ø NW	A	B	Ø D	Ø TC	No. Ø10
450	15	285	530	495	20
500	15	320	600	555	22
560	20	360	660	615	24
630	20	405	730	685	26
710	20	455	810	765	28
800	20	505	900	855	32

Edition 2026 • Subject to alteration • Copyright by COLASIT AG Spiez

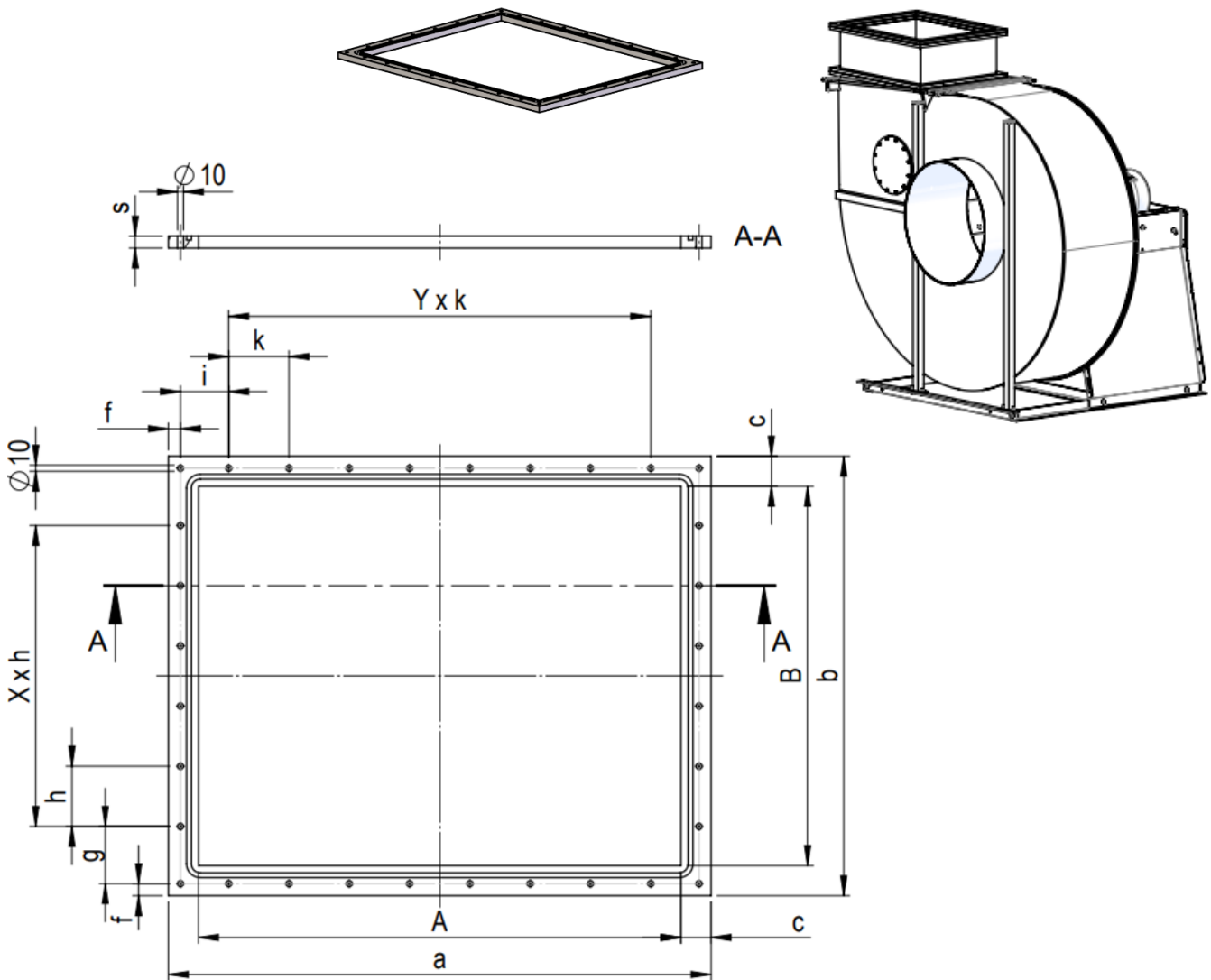
COLASIT Holland B.V.
 Plastic construction • Larenweg 56 • NL-5234 KC 's-Hertogenbosch
 Phone +31 (0)73 641 83 15 • verkoop@colasit.nl
 www.colasit.nl

Competence in plastics. Worldwide.



Flange CN rectangular *

- Material PE, PP, PPs, PPs-el, PVDF, PVC (same as casing)
With EPDM sealing cord (FKM optional)
- Remark: Additional part for connecting rectangular ducts



Fan Type CMMV	Dimension											Holes Ø10 No.
	A	B	a	b	c	s	f	g	X x h	i	Y x k	
450	450	355	530	435	40	15	14	53.5	3x100	51	4x100	22
500	500	400	580	480	40	15	14	76	3x100	76	4x100	22
560	560	450	640	530	40	15	14	51	4x100	56	5x100	26
630	630	500	730	600	50	20	20	80	4x100	105	4x120	26
710	710	560	810	660	50	20	20	60	5x100	97.5	5x115	28
800	800	630	900	730	50	20	20	95	5x100	80	7x100	32

Edition 2026 • Subject to alteration • Copyright by COLASIT AG Spiez

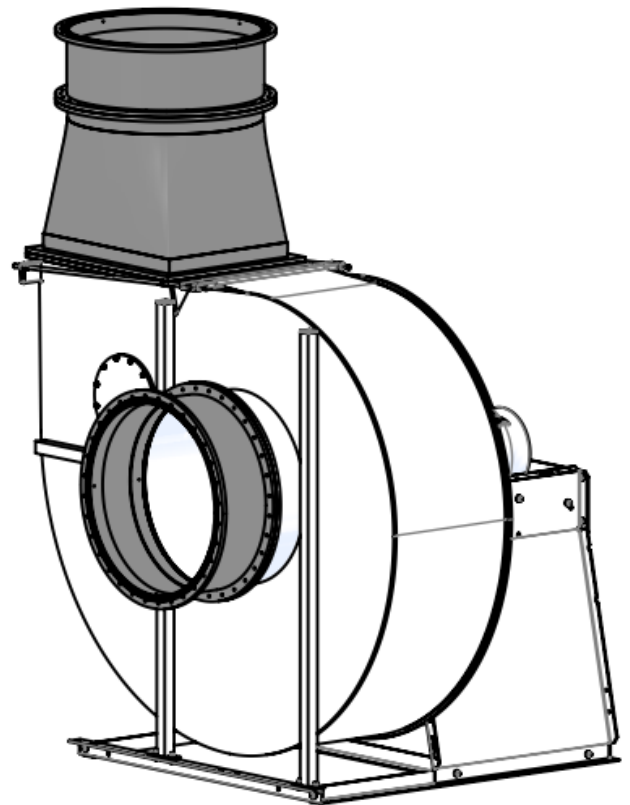
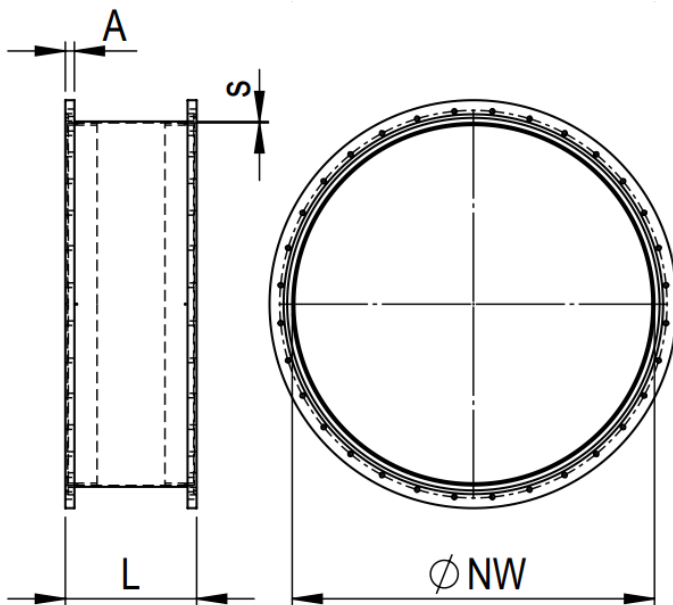
COLASIT Holland B.V.
 Plastic construction • Larenweg 56 • NL-5234 KC 's-Hertogenbosch
 Phone +31 (0)73 641 83 15 • verkoop@colasit.nl
 www.colasit.nl

Competence in plastics. Worldwide.



PVC sleeve round with flange on both sides *

- Material PVC (flange)
Soft PVC (sleeve)
With EPDM sealing cord (FKM optional)
- Application Intake side in combination with "flange CN"
Outlet side with an additionally available square-to-round transition piece

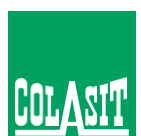


NW Ø	A	L	s
450	15	190	3
500	15	200	3
560-710	20	250	3
800	20	290	3

Edition 2026 • Subject to alteration • Copyright by COLASIT AG Spiez

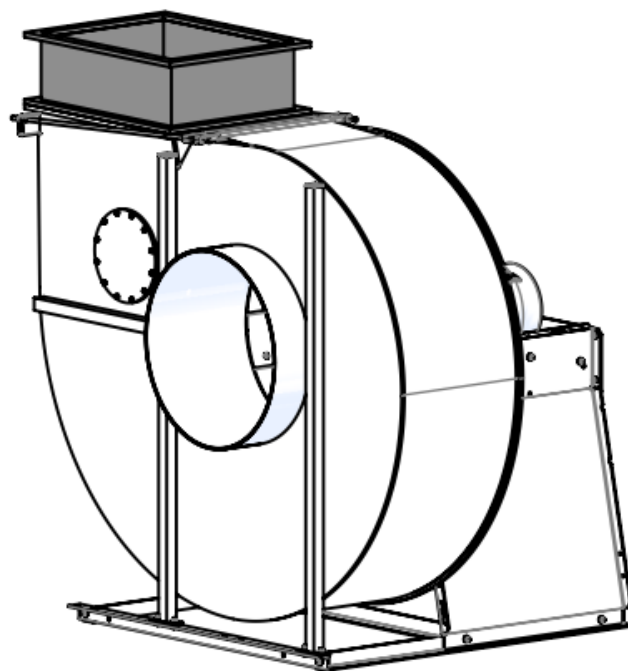
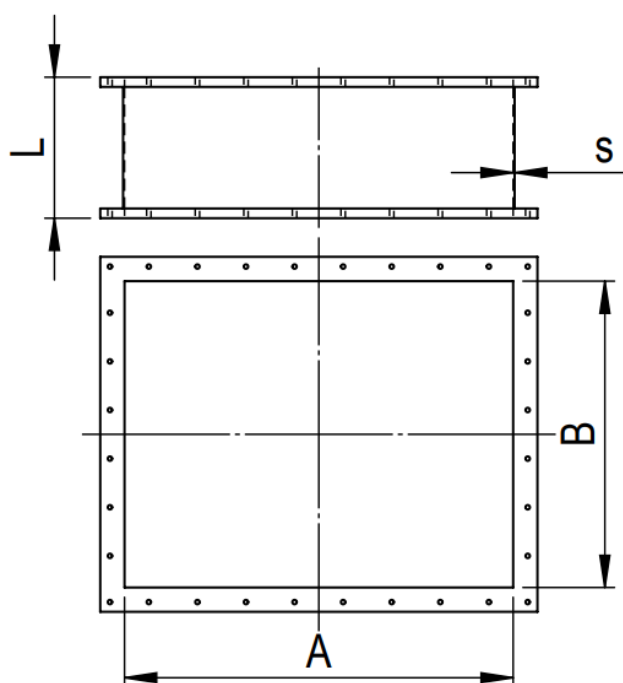
COLASIT Holland B.V.
Plastic construction • Larenweg 56 • NL-5234 KC 's-Hertogenbosch
Phone +31 (0)73 641 83 15 • verkoop@colasit.nl
www.colasit.nl

Competence in plastics. Worldwide.



PVC sleeve with rectangular flange on both sides *

- Material
 - PVC (flange)
 - Soft PVC (sleeve)
 - With EPDM sealing cord (FKM optional)



NW	A	B	L	s
450	450	355	190	3
500	500	400	190	3
560	560	450	240	3
630	630	500	240	3
710	710	560	240	3
800	800	630	290	3

Edition 2026 • Subject to alteration • Copyright by COLASIT AG Spiez

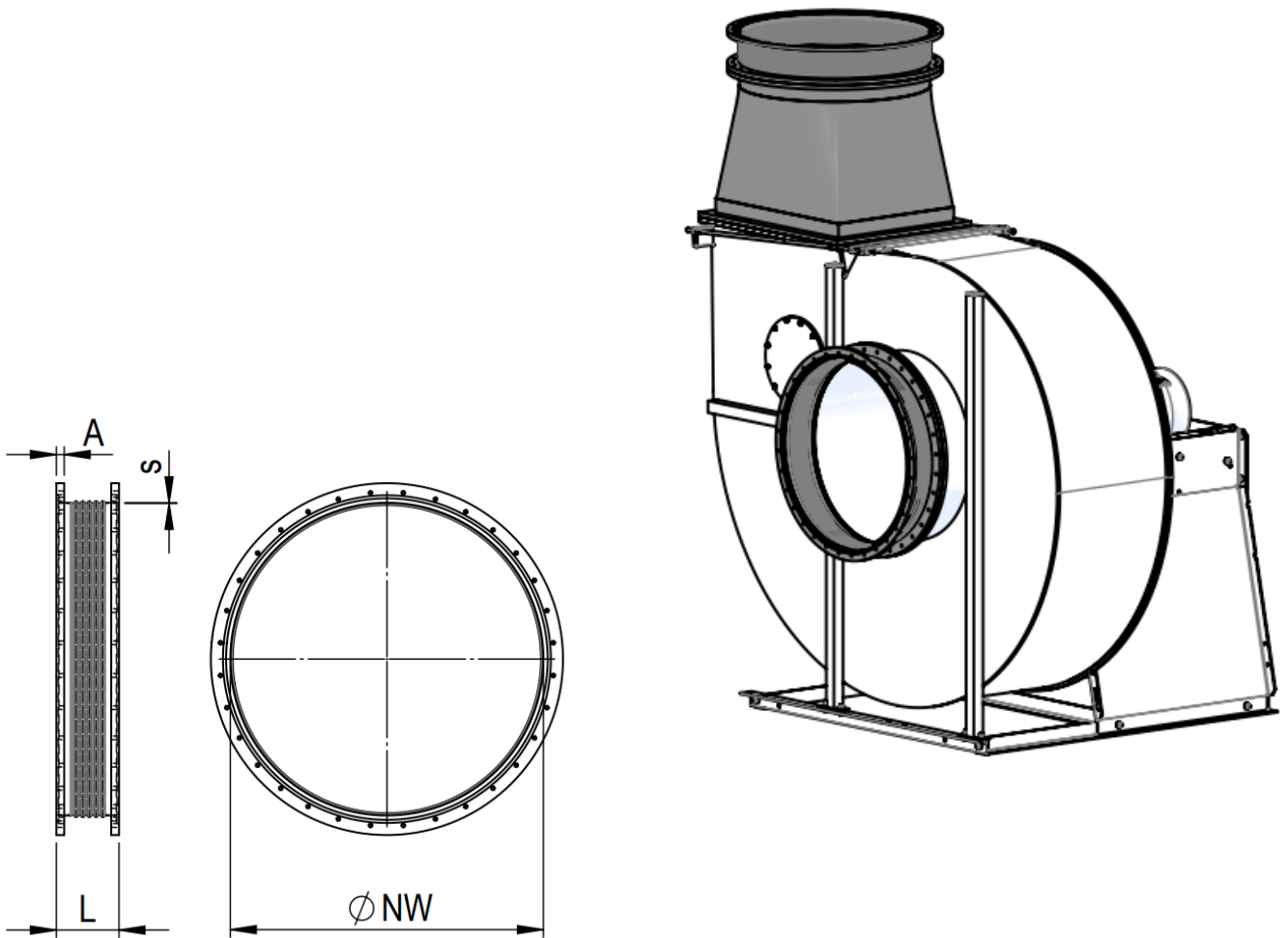
COLASIT Holland B.V.
 Plastic construction • Larenweg 56 • NL-5234 KC 's-Hertogenbosch
 Phone +31 (0)73 641 83 15 • verkoop@colasit.nl
www.colasit.nl

Competence in plastics. Worldwide.



Wellflex sleeve round with flange on both sides *

- Material PPs, PPs-el (flange)
PP, PP-el (sleeve, electrically conductive)
With EPDM sealing cord (FKM optional)
- Application Intake side in combination with "Flange CN"
Outlet side with an additionally available square-to-round transition piece
ATEX
- Option Reinforced sleeve for higher pressures

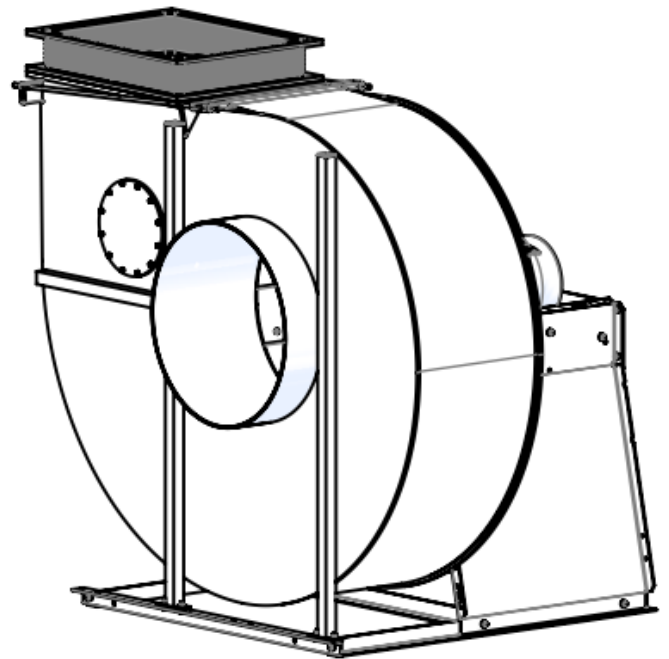
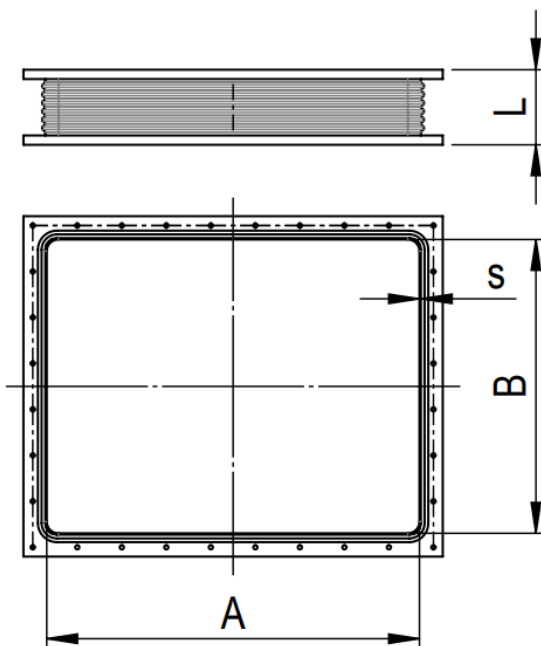


NW Ø	A	L	s
450	15	160	3
500	15	160	3
560-710	20	160	3
800	20	160	3

Edition 2026 • Subject to alteration • Copyright by COLASIT AG Spiez

Wellflex sleeve square with flange on both sides *

- Material PPs, PPs-el (flange)
PP, PP-el (sleeve, electrically conductive)
With EPDM sealing cord (FKM optional)
- Application ATEX
- Option Reinforced sleeve for higher pressures

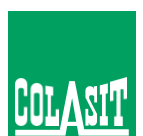


NW	A	B	L	s
450	450	355	160	3
500	500	400	160	3
560	560	450	160	3
630	630	500	160	3
710	710	560	160	3
800	800	630	160	3

Edition 2026 • Subject to alteration • Copyright by COLASIT AG Spiez

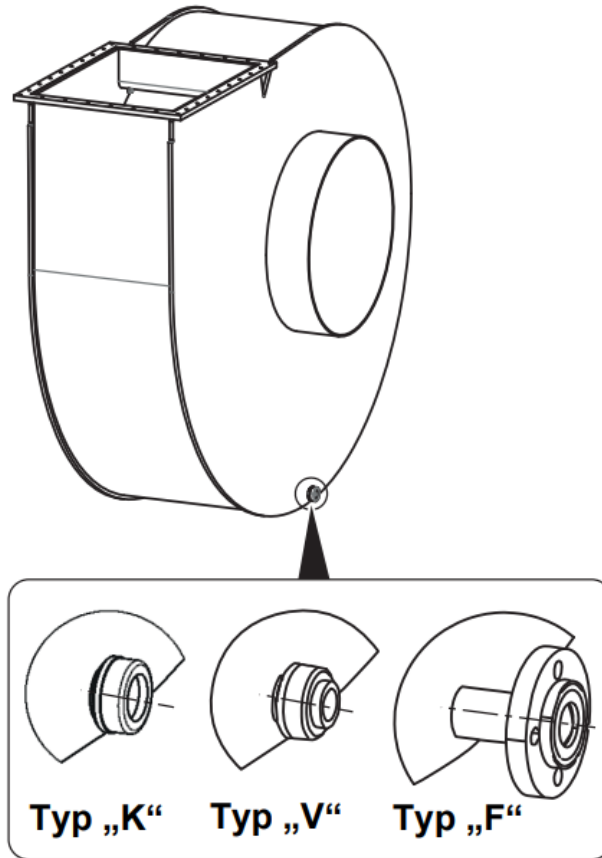
COLASIT Holland B.V.
 Plastic construction • Larenweg 56 • NL-5234 KC 's-Hertogenbosch
 Phone +31 (0)73 641 83 15 • verkoop@colasit.nl
www.colasit.nl

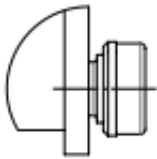
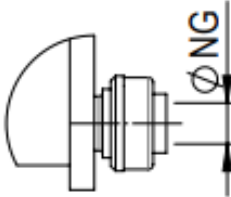
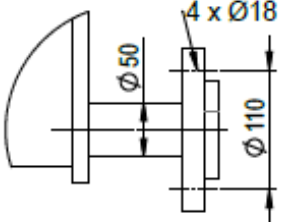
Competence in plastics. Worldwide.



Casing drain

- Material PE, PP, PVDF, PVC

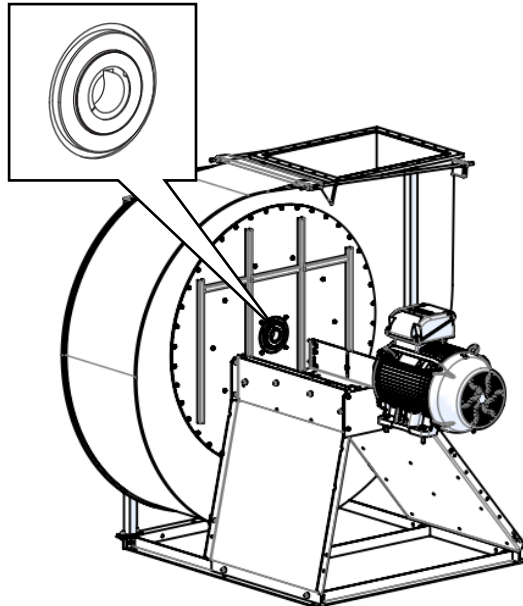


Fan Type	with cap	with threaded fasteners	with flange
CMMV 450-800	Type K	Type V	Type F
		NG = 25 mm 	

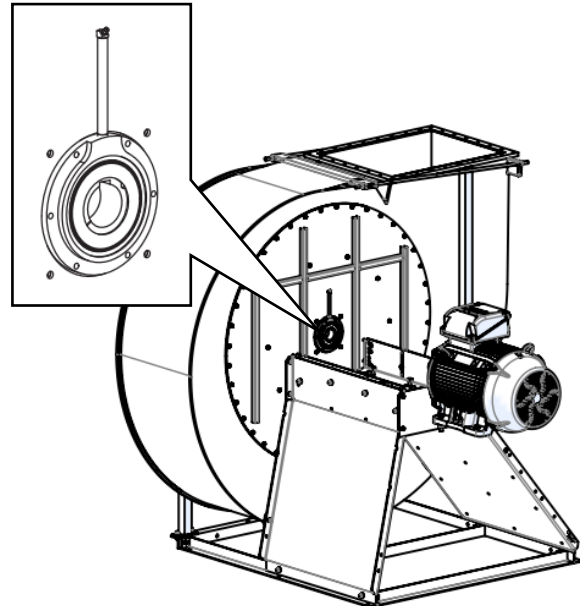
Hub seal

1. Lip seal

- Housing material 1.4404
- Seal material PTFE, FKM

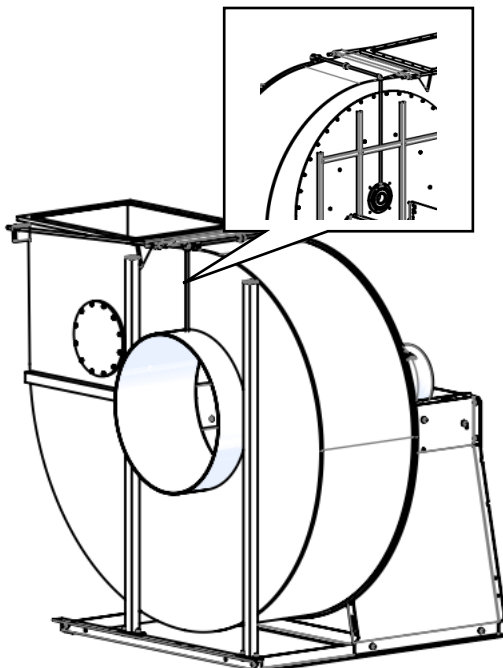


Single lip seal

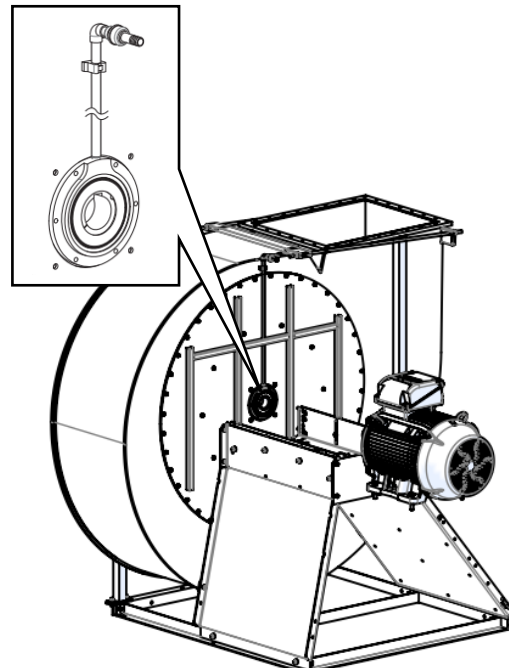


Double-layer seal with lubrication nipple

- The following additions to the double-layer seal are possible



Back suction option



Sealing gas option

Edition 2026 • Subject to alteration • Copyright by COLASIT AG Spiez

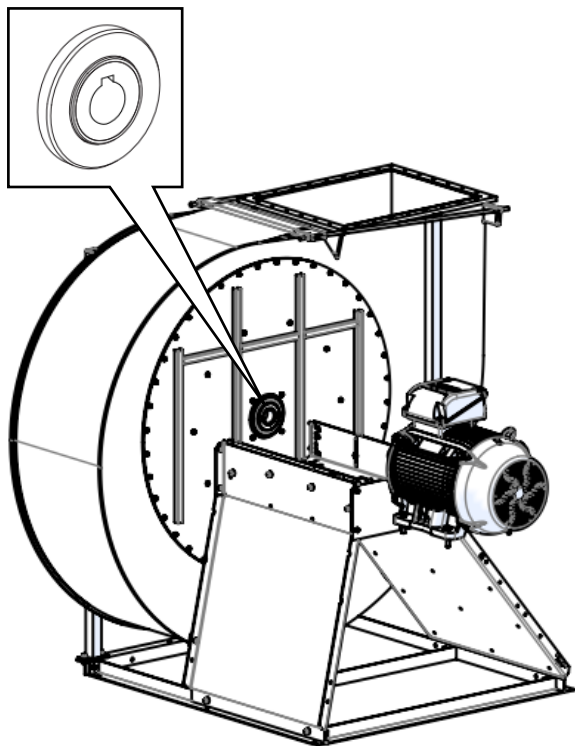
COLASIT Holland B.V.
 Plastic construction • Larenweg 56 • NL-5234 KC 's-Hertogenbosch
 Phone +31 (0)73 641 83 15 • verkoop@colasit.nl
www.colasit.nl

Competence in plastics. Worldwide.



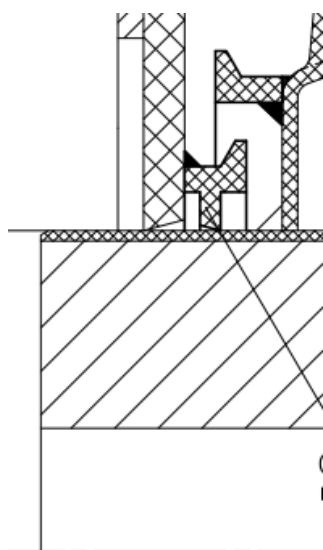
2. Felt seal

- Housing material PE, PP, PPs, PPs-el, PVDF, PVC (same as casing)
- Seal material Felt



3. Labyrinth seal

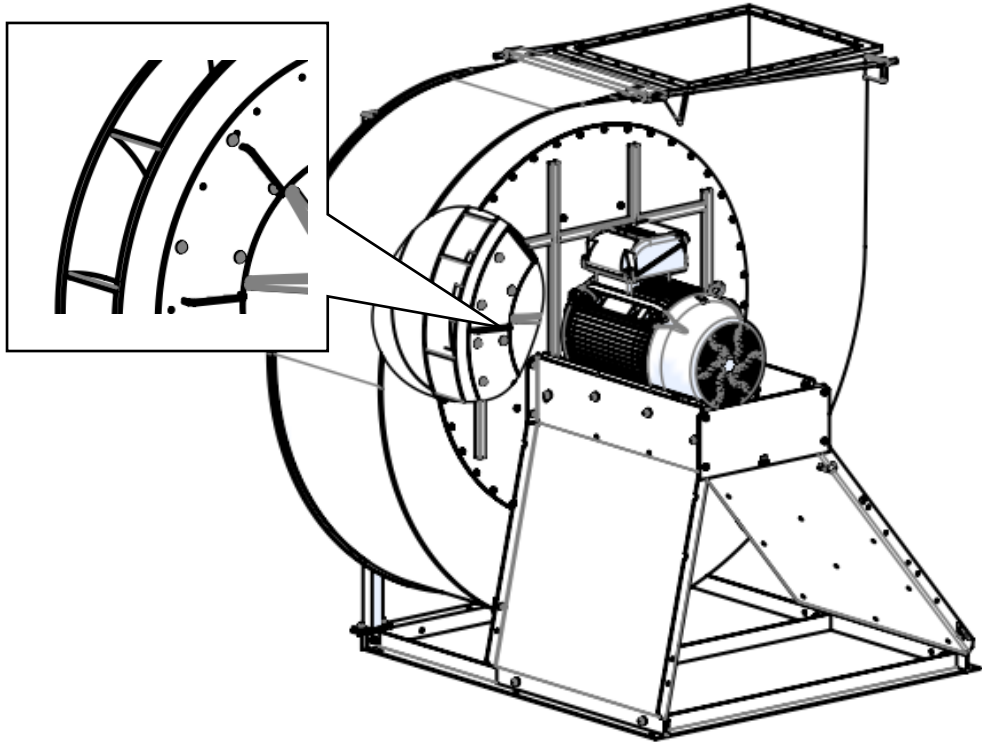
- Seal material PE, PP, PPs, PPs-el, PVDF, PVC (same as casing)
- Remark: Sealing rings welded to casing and impeller



Edition 2026 • Subject to alteration • Copyright by COLASIT AG Spiez

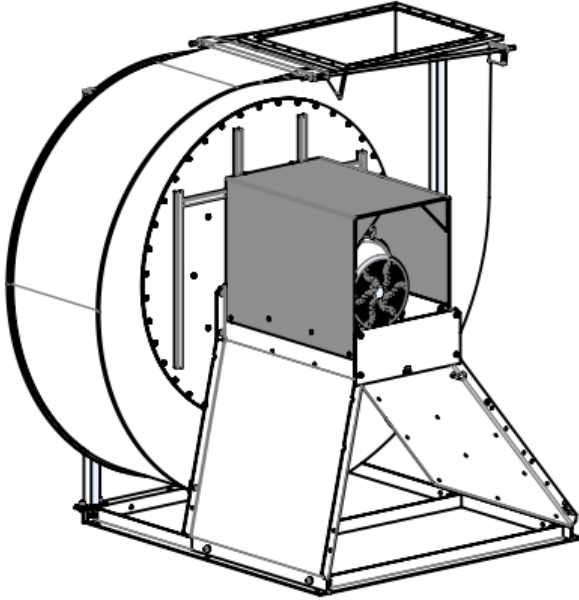
4. Back-plated impeller (negative pressure in the hub area)

- Material PPs, PPs-el, PVDF (same as impeller)



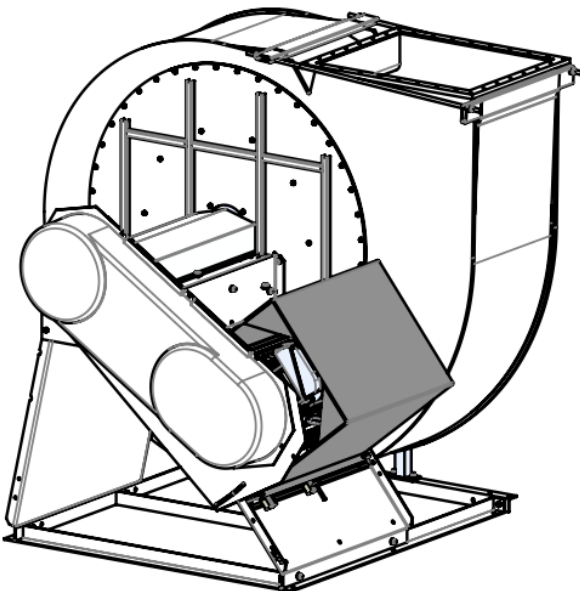
Motor cover direct drive

- Material PE, PPs-el



Motor cover V-belt drive

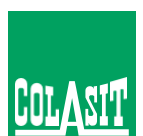
- Material PE, PPs-el



Edition 2026 • Subject to alteration • Copyright by COLASIT AG Spiez

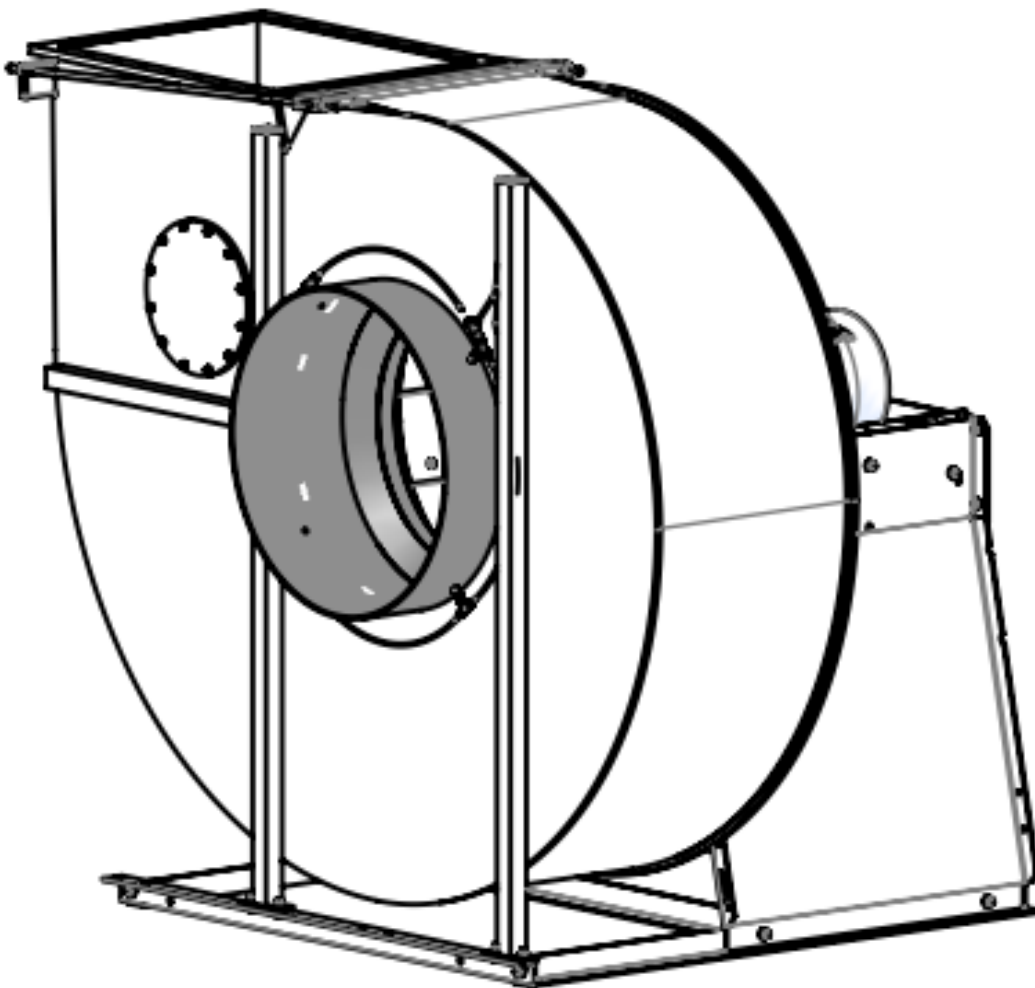
COLASIT Holland B.V.
Plastic construction • Larenweg 56 • NL-5234 KC 's-Hertogenbosch
Phone +31 (0)73 641 83 15 • verkoop@colasit.nl
www.colasit.nl

Competence in plastics. Worldwide.



Flow rate measuring point

- **Brief description**
The current volume flow can be determined with the aid of an integrated volume flow measuring point. Based on the actual and target values, the motor power can be adjusted to the desired volume flow rate (target value) via the control unit and the frequency converter.
- A detailed product description can be found in the download area of the website www.colasit.com/en/downloads under "Accessories" or via your sales partner.**
- **Application**
The pre-fabricated volume flow measuring point is installed in the housing in place of the standard inlet pipe. The following additional devices are required for control:
 - Differential pressure transmitter
 - Volume flow control device
 - Frequency converter
 - **Material** PE, PP, PPs, PPs-el, PVDF, PVC (same as casing)



Edition 2026 • Subject to alteration • Copyright by COLASIT AG Spiez

COLASIT Holland B.V.
Plastic construction • Larenweg 56 • NL-5234 KC 's-Hertogenbosch
Phone +31 (0)73 641 83 15 • verkoop@colasit.nl
www.colasit.nl

Competence in plastics. Worldwide.

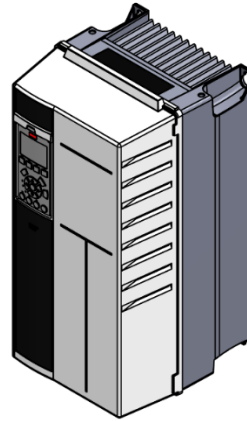


Frequency converter for speed control

- Safety class IP20 to IP55
- Speed control Stepless with integrated control panel
Stepless with external control signal



*Frequency converter IP20
for control cabinet installation*



*Frequency converter IP55
for external installation*