

Overview

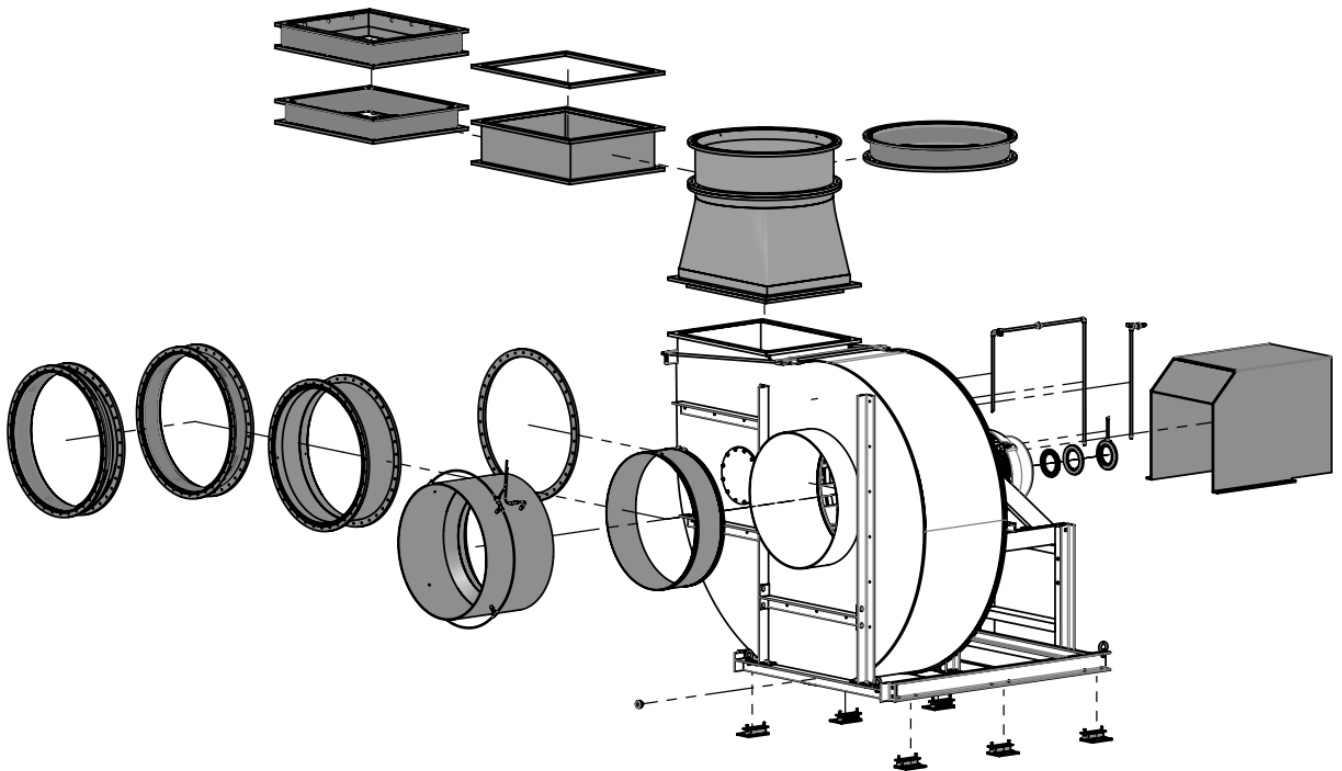


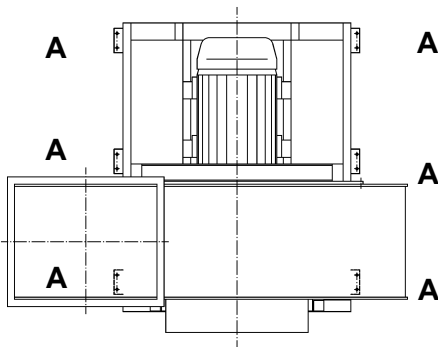
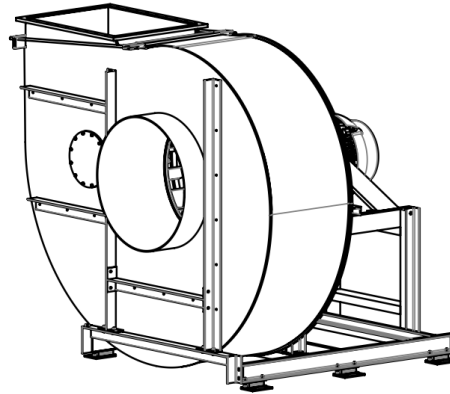
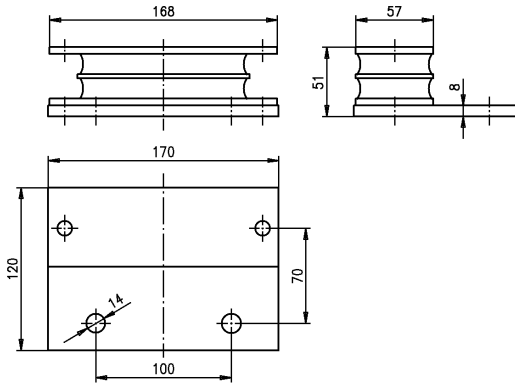
Table of contents

Vibration absorber for floor mounting for profile uprights *	2
Sleeve round with tensioning straps *	3
Flange CN *	4
Flange CN rectangular *	5
PVC sleeve round with flange on both sides *	6
PVC sleeve with rectangular flange on both sides *	7
Wellflex sleeve round with flange on both sides *	8
Wellflex sleeve rectangular with sleeve on both sides *	9
Casing drain	10
Hub seal	11
Motor cover direct drive	14
Motor cover V-belt drive	14
Flow rate measuring point	15
Frequency converter for speed control	16

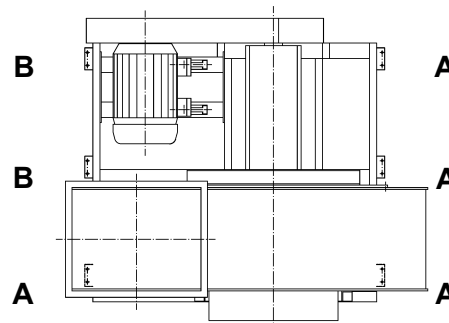
\*Required selection for operation

Vibration absorber for floor mounting for profile uprights \*

- Material Natural rubber (vibrating element)  
Galvanised, stainless steel (mounting vibration damper)



Direct drive



V-belt drive

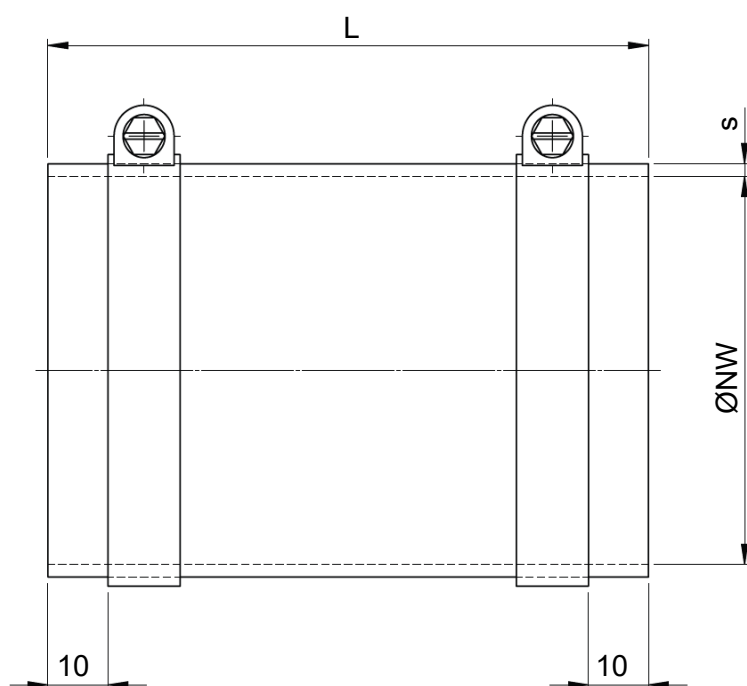
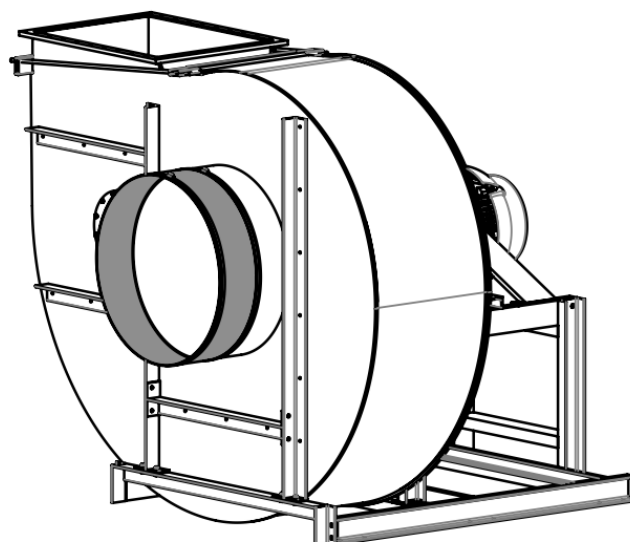
Fan	Motor-weight [kg]	Number of elements					
		Direct drive	V-belt drive				
Typ CMV		Position A 45° Sh A	Position A 45° Sh A	Position B 45° Sh A	Position B 55° Sh A	Position B 65° Sh A	Position B 70° Sh A
900	<300	6	4	2			
	300-450	6	4		2		
	450-550	6	4			2	
1000	<300	6	4	2			
	300-550	6	4		2		
	550-800	6	4			2	
1120	<300	6	4	2			
	300-550	6	4		2		
	550-800	6	4			2	
1250	<300	6	4	2			
	300-550	6	4		2		
	550-800	6	4			2	
	800-1000	6	4				2

Edition 2026 • Subject to alteration • Copyright by COLASIT AG Spiez



**Sleeve round with tensioning straps \***

- Material                   Soft PVC (sleeve)  
                                  Stainless steel (tensioning strap)
- Application             Intake side

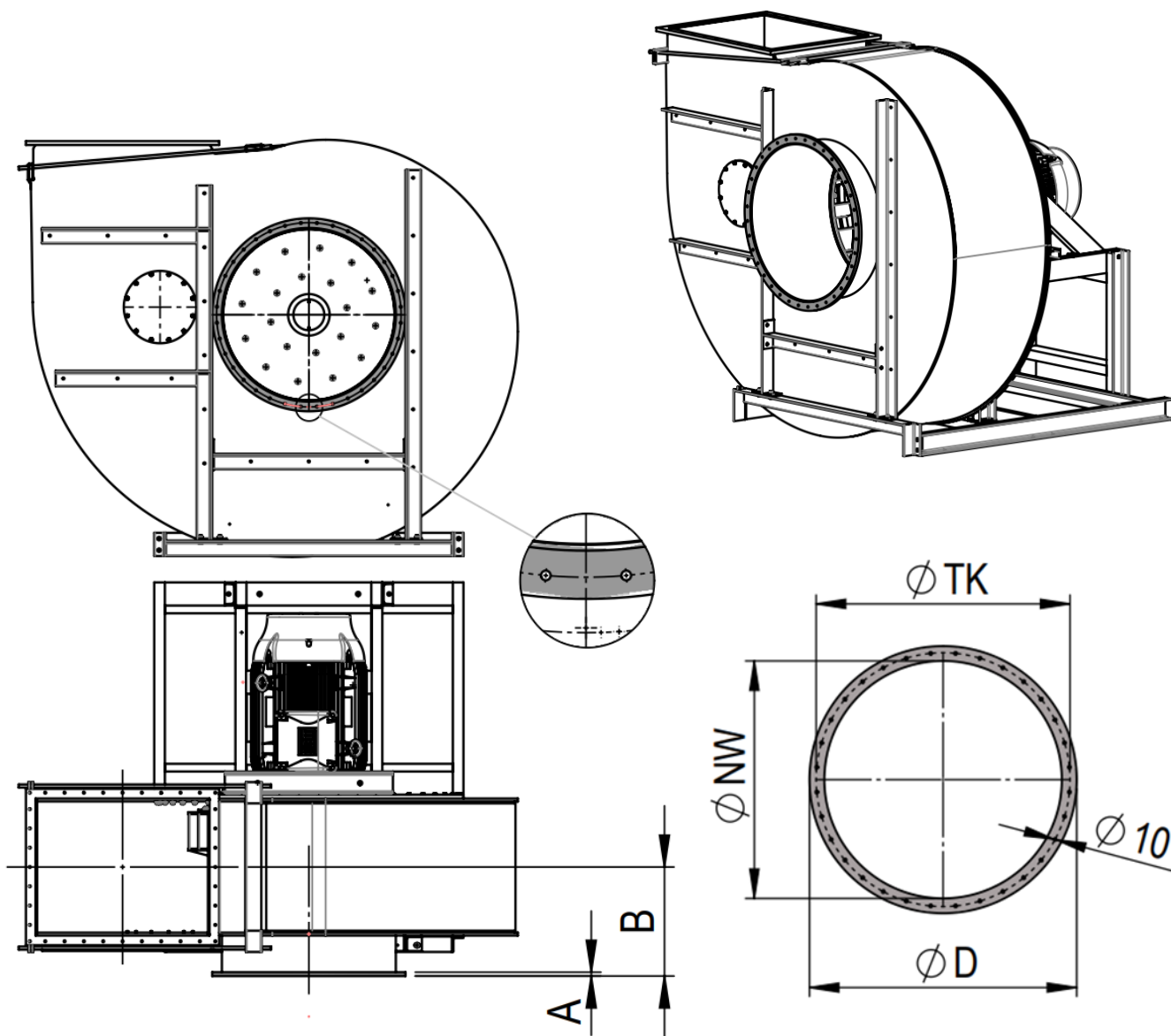


NW Ø	L	s
900-1250	250	3

Edition 2026 • Subject to alteration • Copyright by COLASIT AG Spiez

Flange CN \*

- Material PE, PP, PPs, PPs-el, PVDF, PVC (same as casing)



Ø NW	A	B	Ø D	Ø TC	No. Ø10
900	20	565	1000	955	36
1000	20	635	1100	1055	40
1120	20	715	1220	1175	45
1250	20	805	1350	1305	48

Edition 2026 • Subject to alteration • Copyright by COLASIT AG Spiez

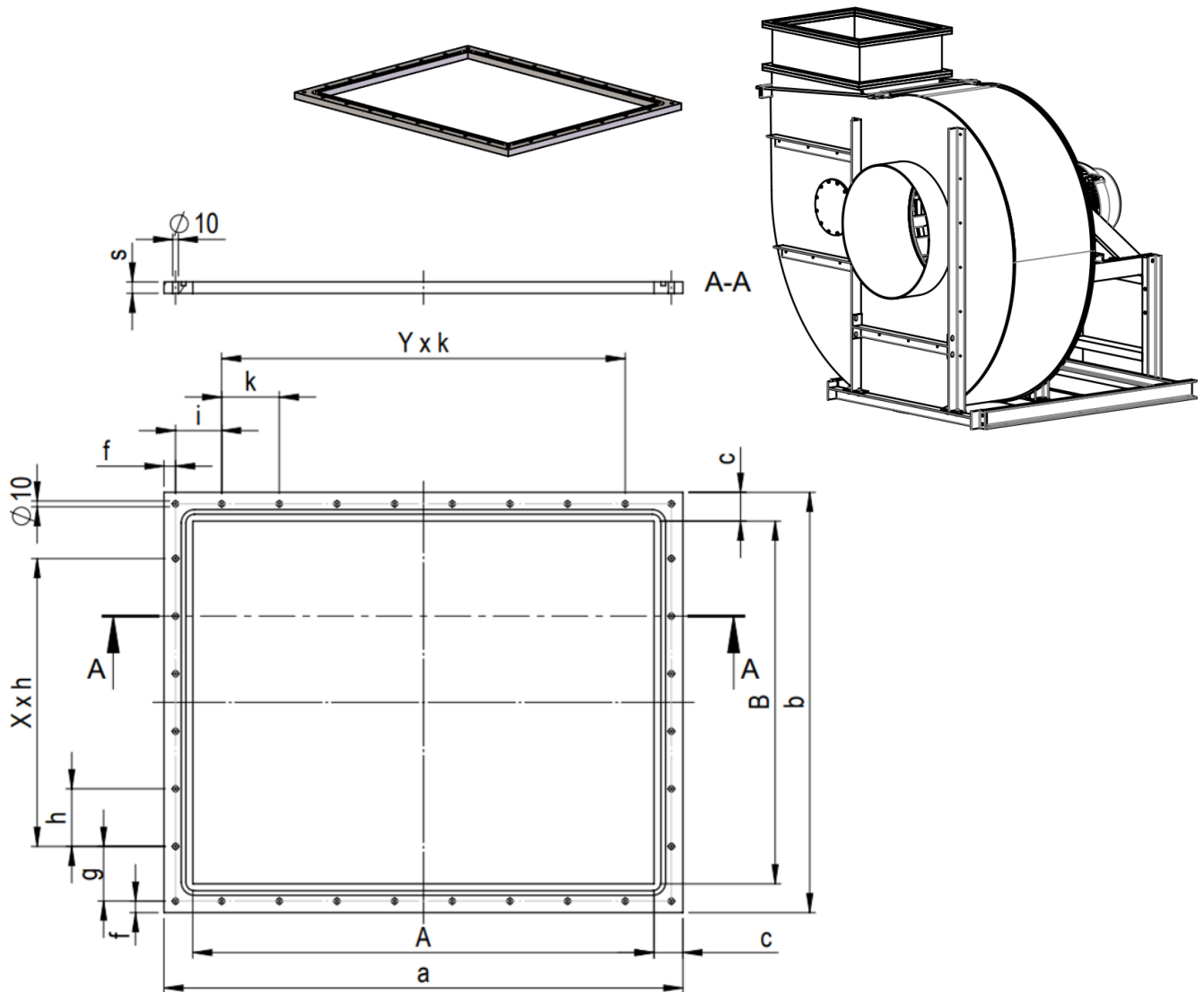
COLASIT Holland B.V.  
 Plastic construction • Larenweg 56 • NL-5234 KC 's-Hertogenbosch  
 Phone +31 (0)73 641 83 15 • verkoop@colasit.nl  
 www.colasit.nl

Competence in plastics. Worldwide.



**Flange CN rectangular \***

- Material PE, PP, PPs, PPs-el, PVDF, PVC (same as casing)  
With EPDM sealing cord (FKM optional)
- Remark: Additional part for connecting rectangular ducts



Fan Typ CMV	Dimension											Hole Ø10 No.
	A	B	a	b	c	s	f	g	X x h	i	Y x k	
900	900	710	1000	810	50	20	20	85	6x100	80	8x100	36
1000	1000	800	1100	900	50	20	20	80	7x100	80	9x100	40
1120	1120	900	1220	1000	50	20	20	80	8x100	90	10x100	44
1250	1250	1000	1350	1100	50	20	20	80	9x100	105	11x100	48

Edition 2026 • Subject to alteration • Copyright by COLASIT AG Spiez

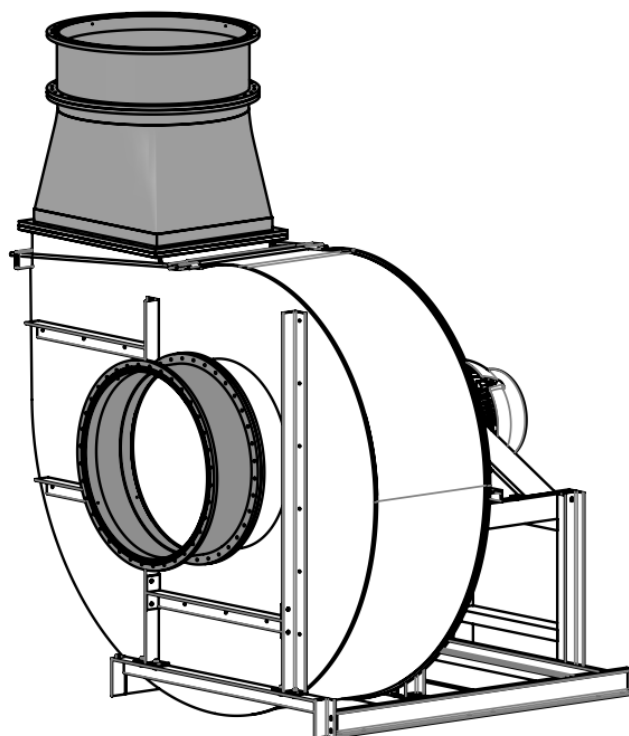
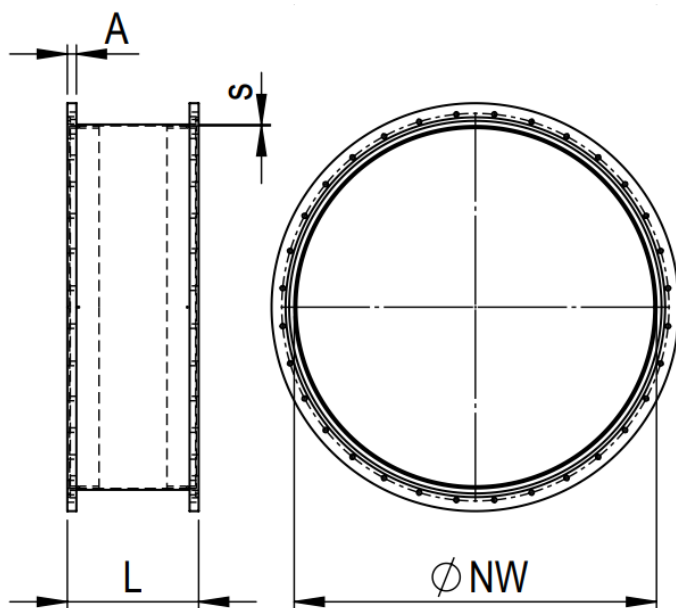
COLASIT Holland B.V.  
 Plastic construction • Larenweg 56 • NL-5234 KC 's-Hertogenbosch  
 Phone +31 (0)73 641 83 15 • verkoop@colasit.nl  
 www.colasit.nl

Competence in plastics. Worldwide.



## PVC sleeve round with flange on both sides \*

- Material           PVC (flange)  
Soft PVC (sleeve)  
With EPDM sealing cord (FKM optional)
- Application       Intake side in combination with "Flange CN"  
Outlet side with transition piece square / round



NW Ø	A	L	s
900	20	290	3
1000	20	290	3
1120	20	290	3
1250	20	290	3

Edition 2026 • Subject to alteration • Copyright by COLASIT AG Spiez

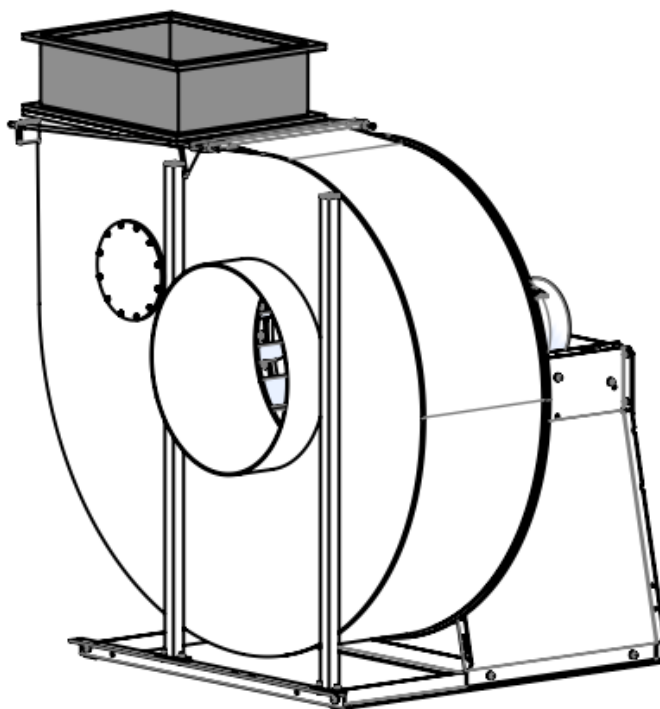
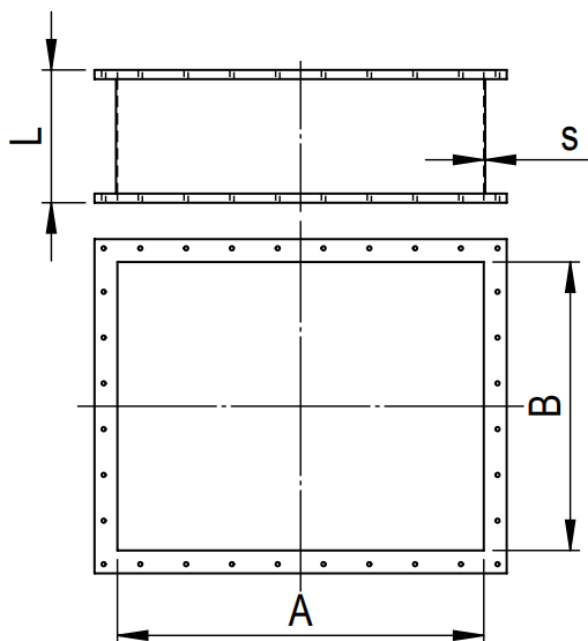
COLASIT Holland B.V.  
Plastic construction • Larenweg 56 • NL-5234 KC 's-Hertogenbosch  
Phone +31 (0)73 641 83 15 • verkoop@colasit.nl  
[www.colasit.nl](http://www.colasit.nl)

Competence in plastics. Worldwide.



**PVC sleeve with rectangular flange on both sides \***

- Material                   PVC (flange)  
Soft PVC (sleeve)  
With EPDM sealing cord (FKM optional)
- Application               Intake side in combination with "Flange CN"



NW	A	B	L	s
900	900	710	290	3
1000	1000	800	290	3
1120	1120	900	290	3
1250	1250	1000	290	3

Edition 2026 • Subject to alteration • Copyright by COLASIT AG Spiez

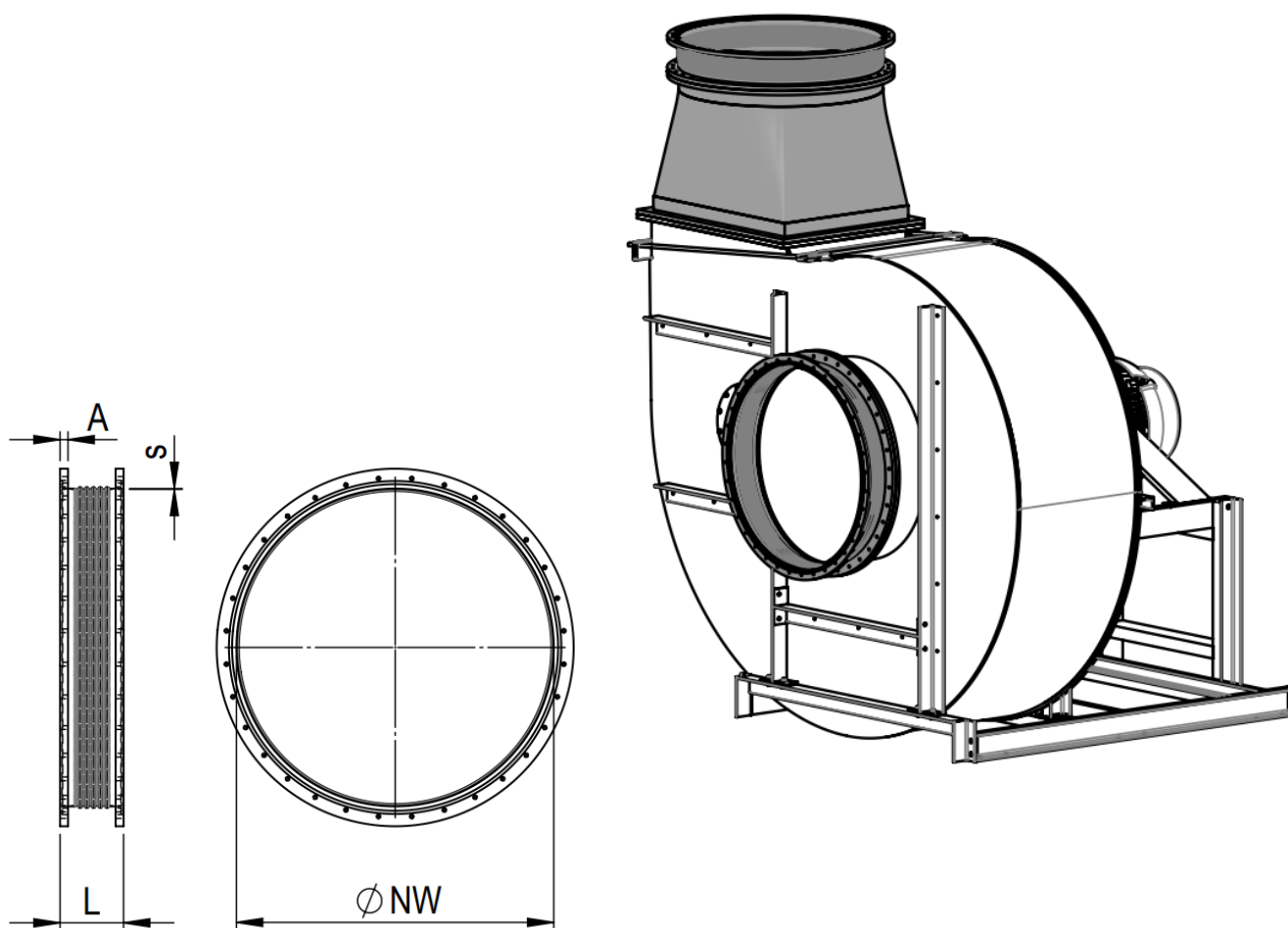
COLASIT Holland B.V.  
Plastic construction • Larenweg 56 • NL-5234 KC 's-Hertogenbosch  
Phone +31 (0)73 641 83 15 • verkoop@colasit.nl  
www.colasit.nl

Competence in plastics. Worldwide.



**Wellflex sleeve round with flange on both sides \***

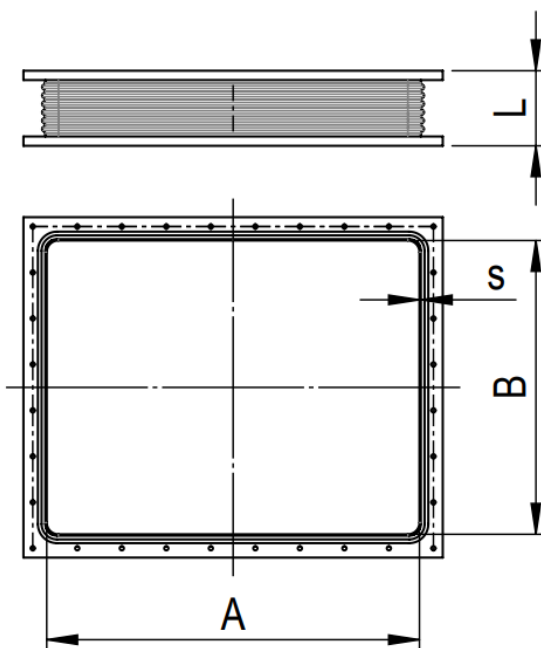
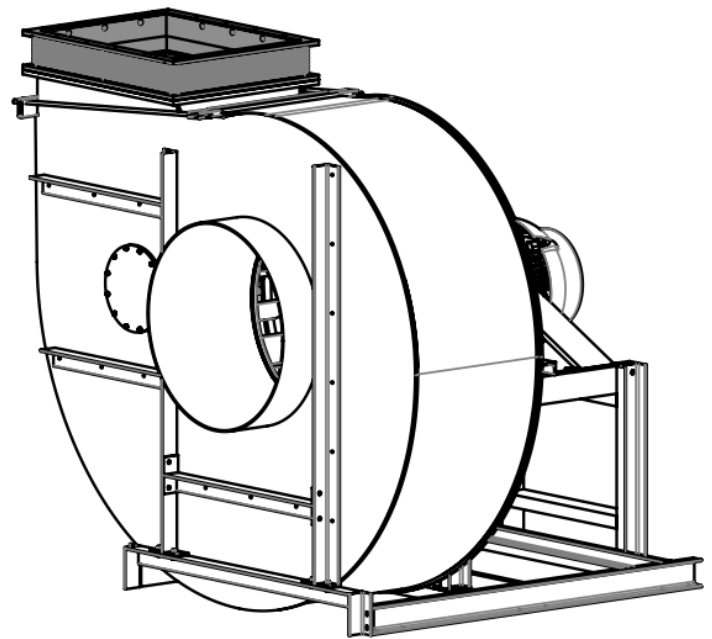
- Material           PPs, PPs-el (flange)  
PP, PP-el (sleeve, electrically conductive)  
With EPDM sealing cord (FKM optional)
- Application       Intake side in combination with "Flange CN"  
Outlet side with an additionally available square-to-round transition piece  
ATEX
- Option             Reinforced sleeve for higher pressures



NW Ø	A	L	s
900	20	160	3
1000	20	160	3
1120	20	160	3
1250	20	160	3

**Wellflex sleeve rectangular with sleeve on both sides \***

- Material            PPs, PPs-el (flange)  
PP, PP-el (sleeve, electrically conductive)  
With EPDM sealing cord (FKM optional)
- Application        ATEX
- Option              Reinforced sleeve for higher pressures

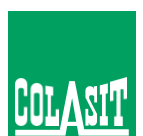


NW	A	B	L	s
900	900	810	160	3
1000	1000	900	160	3
1120	1120	1000	160	3
1250	1250	1100	160	3

Edition 2026 • Subject to alteration • Copyright by COLASIT AG Spiez

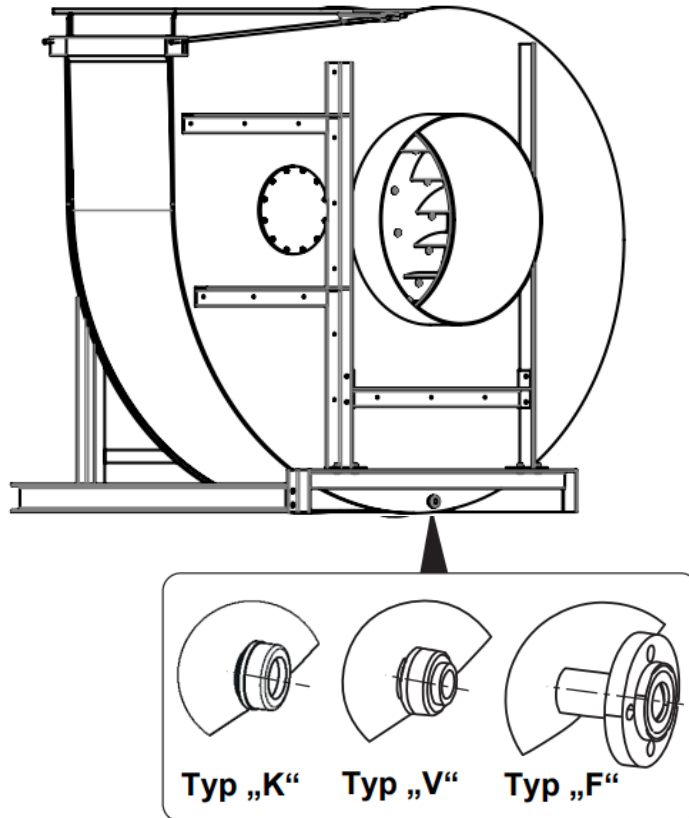
COLASIT Holland B.V.  
 Plastic construction • Larenweg 56 • NL-5234 KC 's-Hertogenbosch  
 Phone +31 (0)73 641 83 15 • verkoop@colasit.nl  
[www.colasit.nl](http://www.colasit.nl)

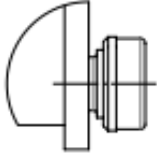
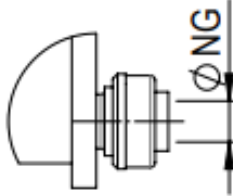
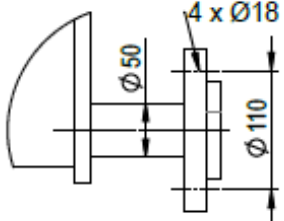
Competence in plastics. Worldwide.



**Casing drain**

- Material PE, PP, PVDF, PVC
- Remark: Adapted traverse on base frame for application with casing drain

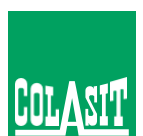


Fan type	with cap	with threaded fasteners	with flange
CMV 450-800	Type K	Type V	Type F
		NG = 25 mm 	

Edition 2026 • Subject to alteration • Copyright by COLASIT AG Spiez

COLASIT Holland B.V.  
 Plastic construction • Larenweg 56 • NL-5234 KC 's-Hertogenbosch  
 Phone +31 (0)73 641 83 15 • verkoop@colasit.nl  
[www.colasit.nl](http://www.colasit.nl)

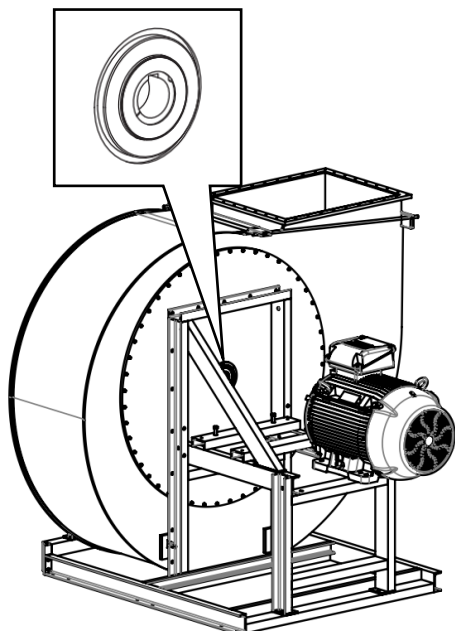
Competence in plastics. Worldwide.



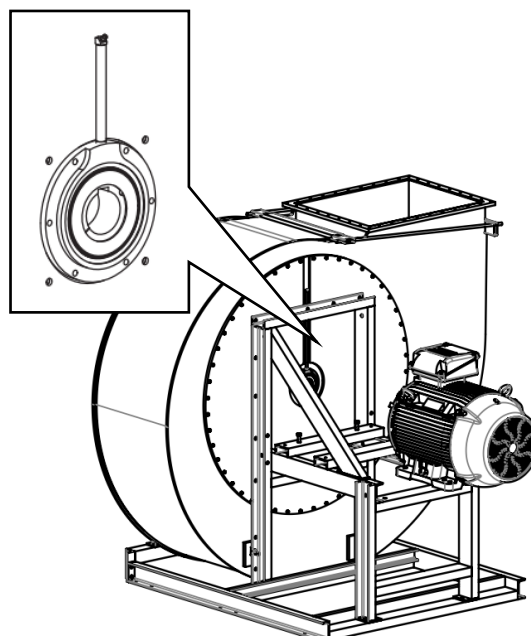
## Hub seal

### 1. Lip seal

- Housing material 1.4404
- Seal material PTFE, FKM

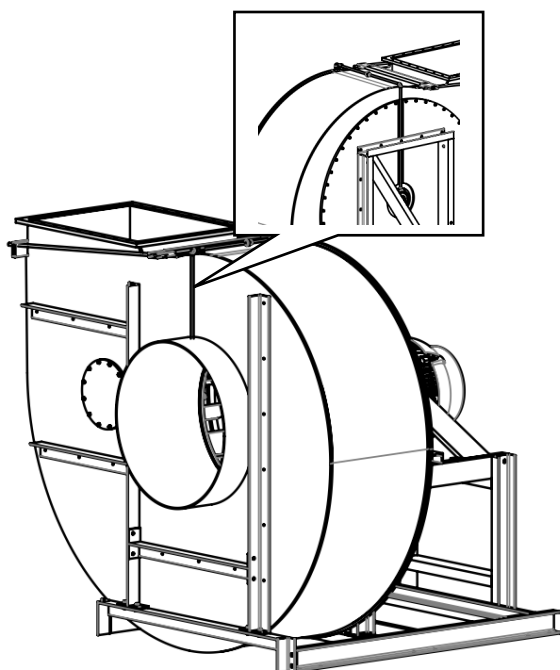


*Single lip seal*

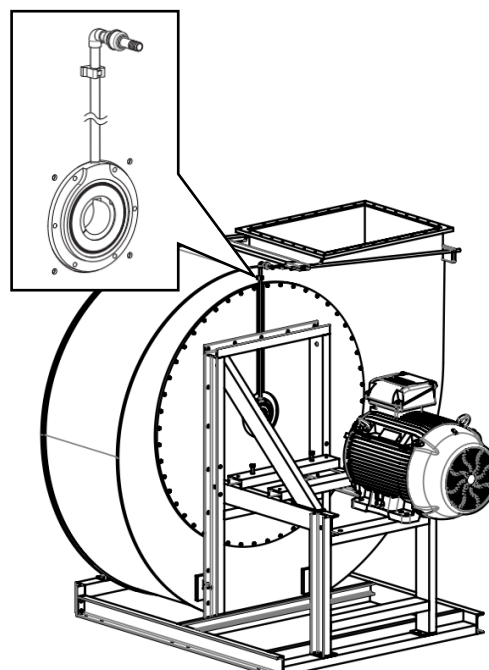


*Double-layer seal with lubrication nipple*

- The following additions to the double-layer seal are possible



*Back suction option*



*Sealing gas option*

Edition 2026 • Subject to alteration • Copyright by COLASIT AG Spiez

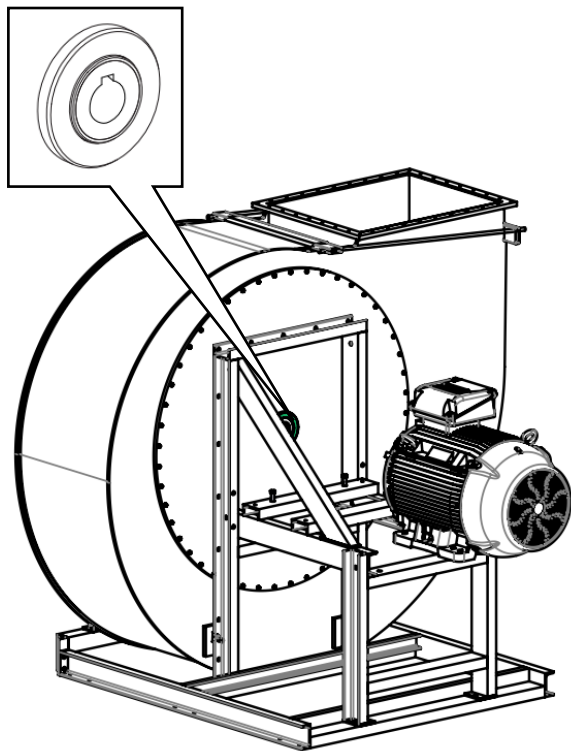
COLASIT Holland B.V.  
 Plastic construction • Larenweg 56 • NL-5234 KC 's-Hertogenbosch  
 Phone +31 (0)73 641 83 15 • verkoop@colasit.nl  
[www.colasit.nl](http://www.colasit.nl)

Competence in plastics. Worldwide.



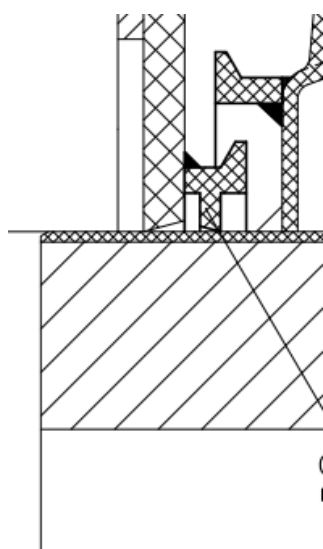
## 2. Felt seal

- Housing material PE, PP, PPs, PPs-el, PVDF, PVC (same as casing)
- Gasket material Felt



## 3. Labyrinth seal

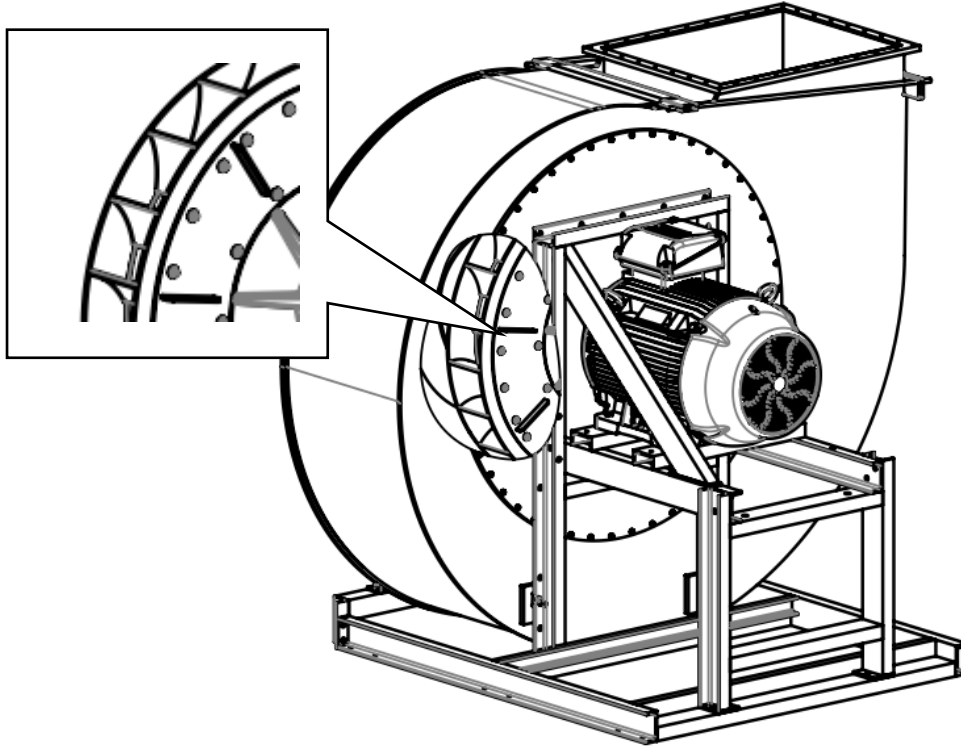
- Seal material PE, PP, PPs, PPs-el, PVDF, PVC (same as casing)
- Remark: Sealing rings welded to housing and impeller



Edition 2026 • Subject to alteration • Copyright by COLASIT AG Spiez

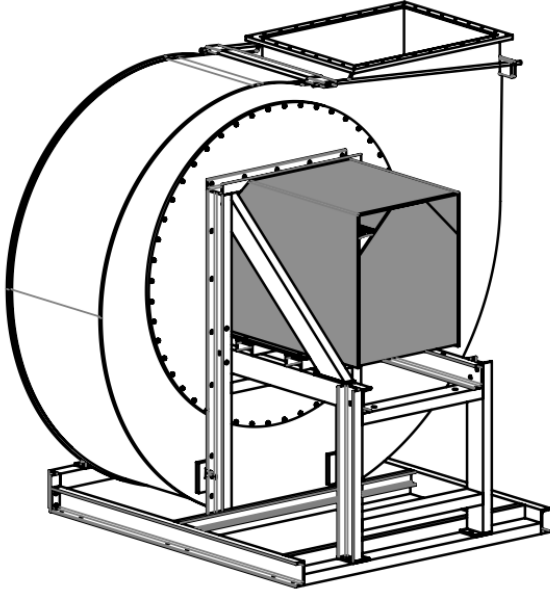
#### 4. Back-plated impeller (negative pressure in the hub area)

- Material PPs, PPs-el, PVDF (same as impeller)

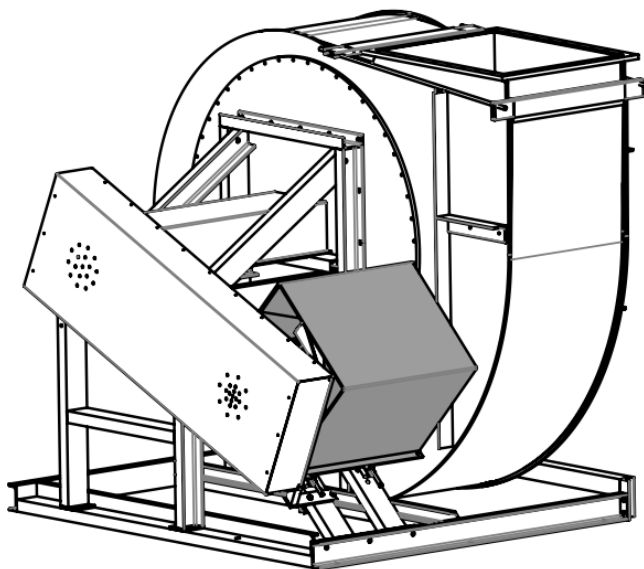


**Motor cover direct drive**

- Material PE, PPs-el

**Motor cover V-belt drive**

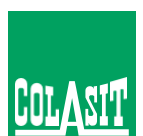
- Material PE, PPs-el



Edition 2026 • Subject to alteration • Copyright by COLASIT AG Spiez

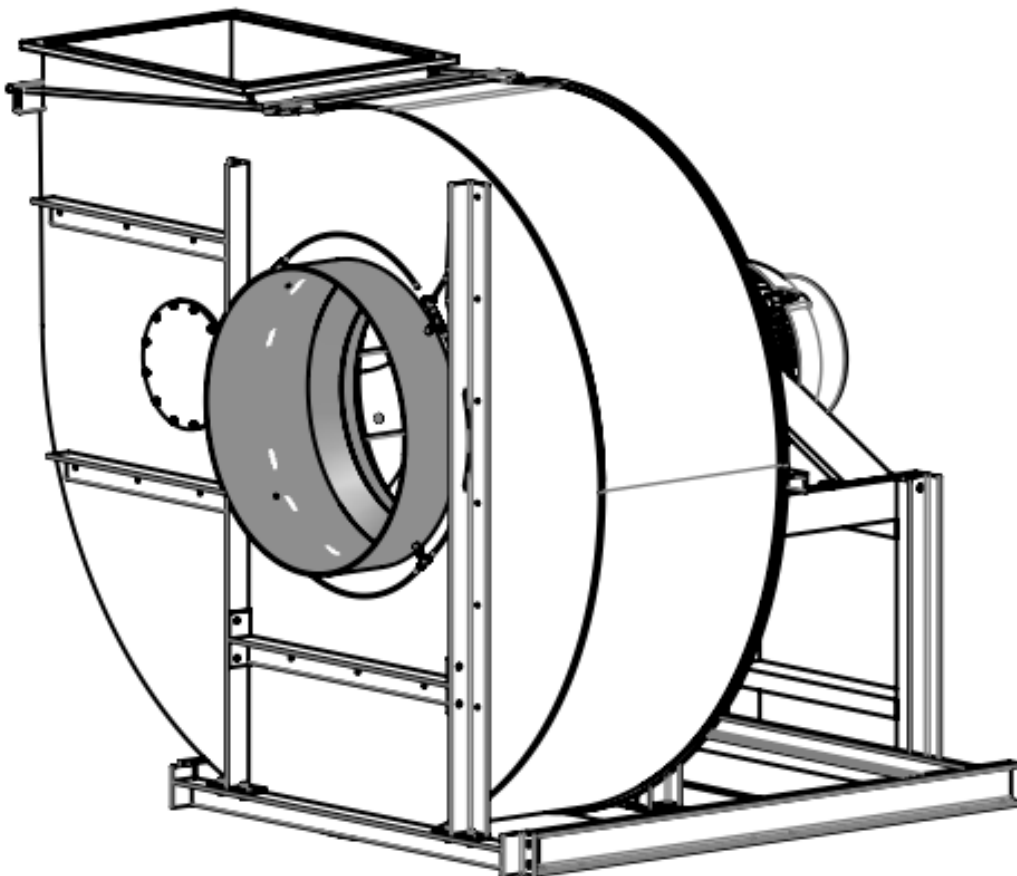
COLASIT Holland B.V.  
Plastic construction • Larenweg 56 • NL-5234 KC 's-Hertogenbosch  
Phone +31 (0)73 641 83 15 • verkoop@colasit.nl  
[www.colasit.nl](http://www.colasit.nl)

Competence in plastics. Worldwide.



## Flow rate measuring point

- **Brief description**  
The current volume flow can be determined with the aid of an integrated volume flow measuring point. Based on the actual and target values, the motor power can be adjusted to the desired volume flow rate (target value) via the control unit and the frequency converter.
- A detailed product description can be found in the download area of the website [www.colasit.com/en/downloads](http://www.colasit.com/en/downloads) under "Accessories" or via your sales partner.**
- **Application**  
The pre-fabricated volume flow measuring point is installed in the housing in place of the standard inlet pipe. The following additional devices are required for control:
    - Differential pressure transmitter
    - Volume flow control device
    - Frequency converter
  - **Material** PE, PP, PPs, PPs-el, PVDF, PVC (same as casing)

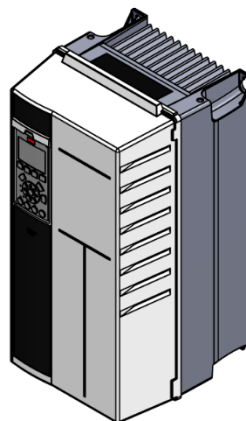


**Frequency converter for speed control**

- Safety class IP20 to IP55
- Speed adjustment Stepless with integrated control panel  
Stepless with external control signal



*Frequency inverter IP20  
for control cabinet installation*



*Frequency inverter IP55  
for external installation*