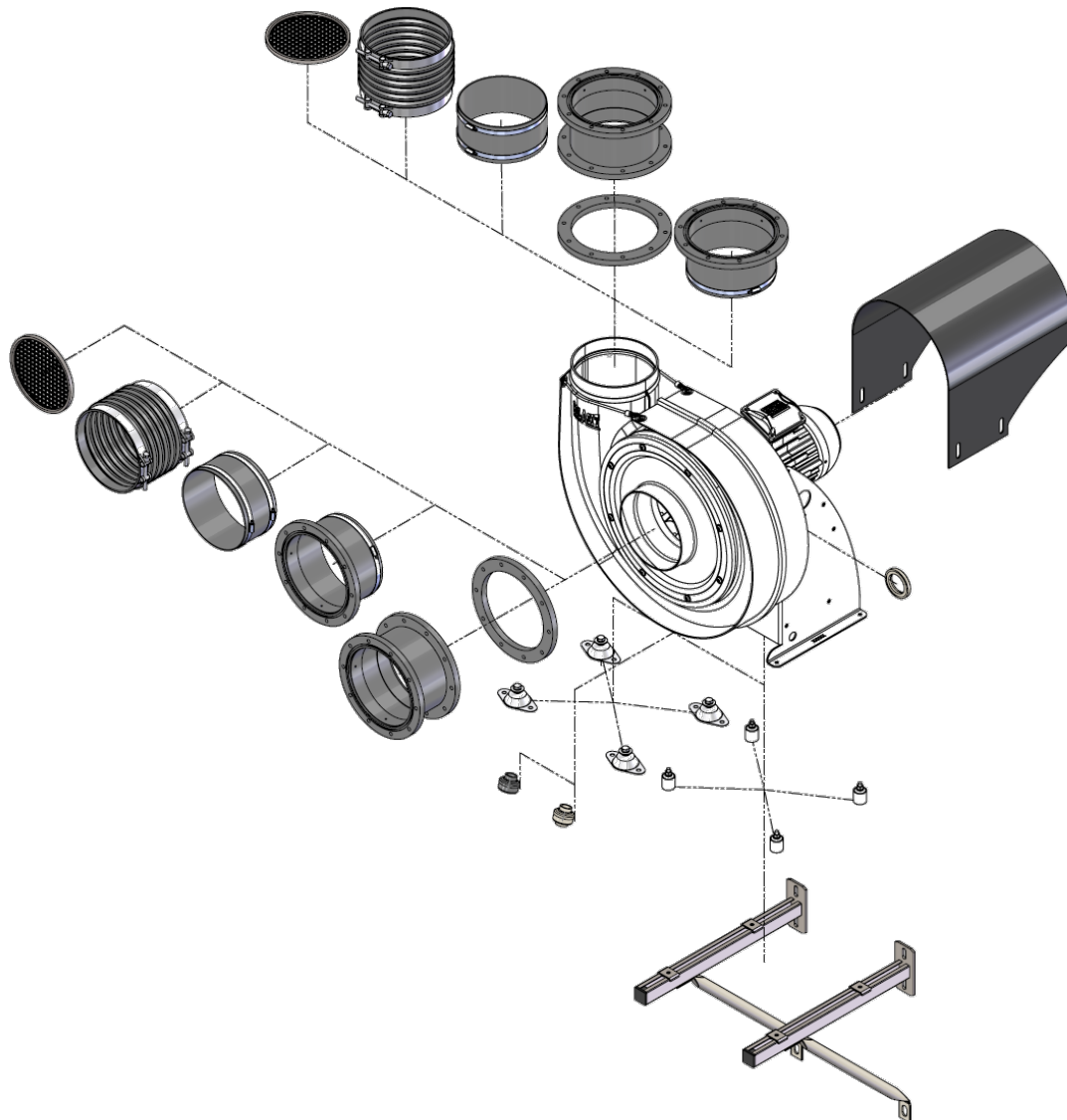


Overview



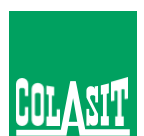
Sleeve round with fixing bands*	2
Sleeve round with one side flange and fixing bands*	3
Sleeve round with both side flanges *	4
Flange CN.....	5
Wellflex sleeve with fixing bands *	6
Wellflex sleeve round with flange on one side *	7
Wellflex sleeve round with flange on both sides *	8
Vibration absorber / Bell mount for floor/ceiling mounting *	9
Mesh grid *	10
Casing drain.....	11
Hub seal.....	12
Motor cover.....	13
Wall brackets.....	14
Frequency converter for speed control.....	15
Isolation switch.....	15

\* Required items for operation

Edition 2026 • Subject to alteration • Copyright by COLASIT AG Spiez

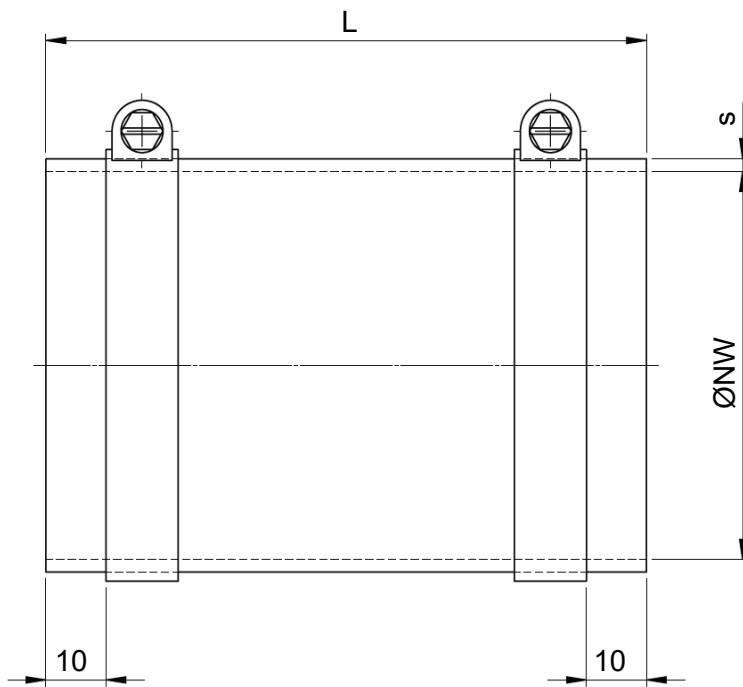
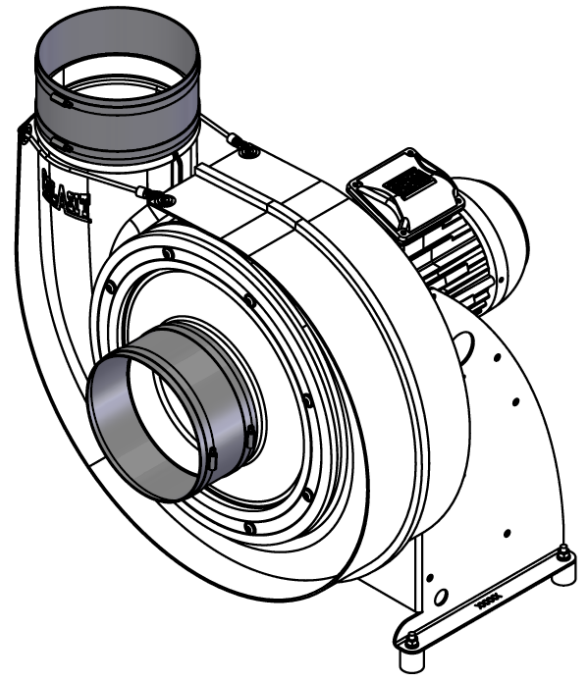
COLASIT Holland B.V.  
 Plastic construction • Larenweg 56 • NL-5234 KC 's-Hertogenbosch  
 Phone +31 (0)73 641 83 15 • verkoop@colasit.nl  
[www.colasit.nl](http://www.colasit.nl)

Competence in plastics. Worldwide.



Sleeve round with fixing bands\*

- Material                      Soft-PVC (sleeve)  
   Stainless steel (fixing bands)

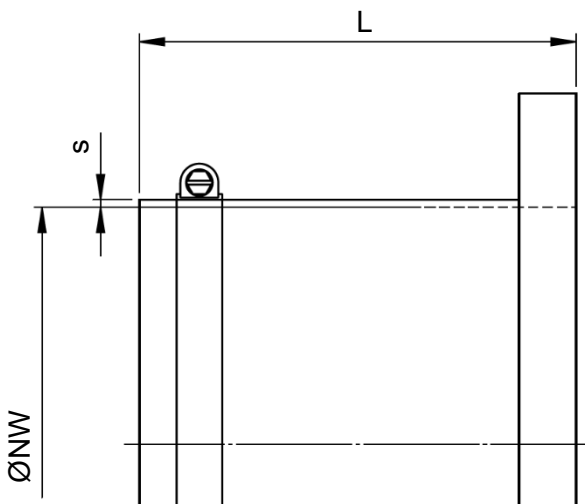
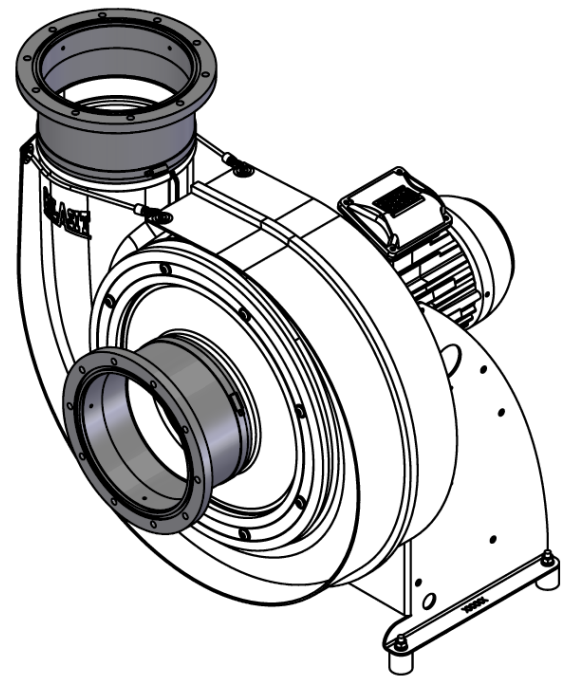


Ø NW	L	s
125, 160, 200, 250, 315	100	2
400	125	3

Edition 2026 • Subject to alteration • Copyright by COLASIT AG Spiez

**Sleeve round with one side flange and fixing bands\***

- Material                   PVC (flange)  
Soft-PVC (sleeve)
- Application               Stainless steel (fixing bands)  
in combination with «flange CN»

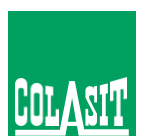


Ø NW	L	s
125, 160, 200, 250, 315	115	2
400	140	3

Edition 2026 • Subject to alteration • Copyright by COLASIT AG Spiez

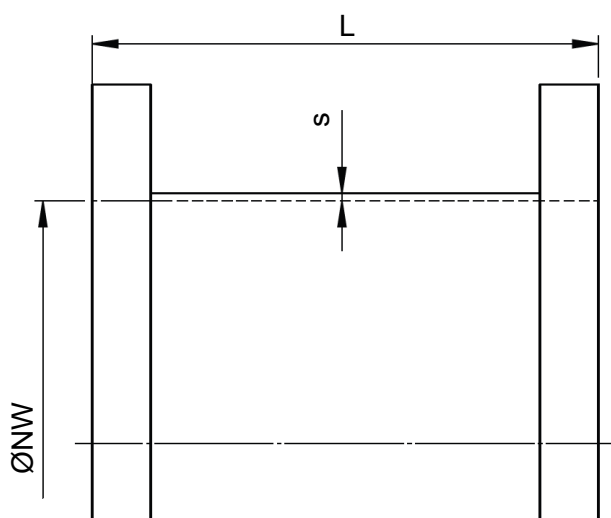
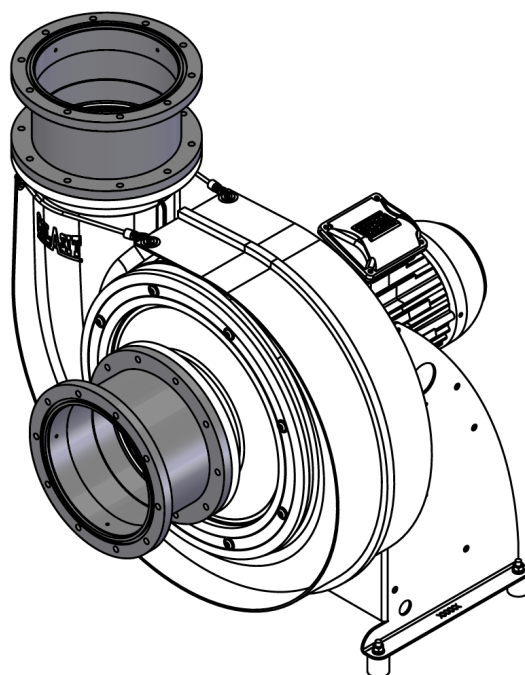
COLASIT Holland B.V.  
Plastic construction • Larenweg 56 • NL-5234 KC 's-Hertogenbosch  
Phone +31 (0)73 641 83 15 • verkoop@colasit.nl  
www.colasit.nl

Competence in plastics. Worldwide.



## Sleeve round with both side flanges \*

- Material           PVC (flange)  
Soft-PVC (sleeve)
- Application       in combination with «flange CN»



Ø NW	L	s
125, 160, 200, 250, 315	130	2
400	155	3

Edition 2026 • Subject to alteration • Copyright by COLASIT AG Spiez

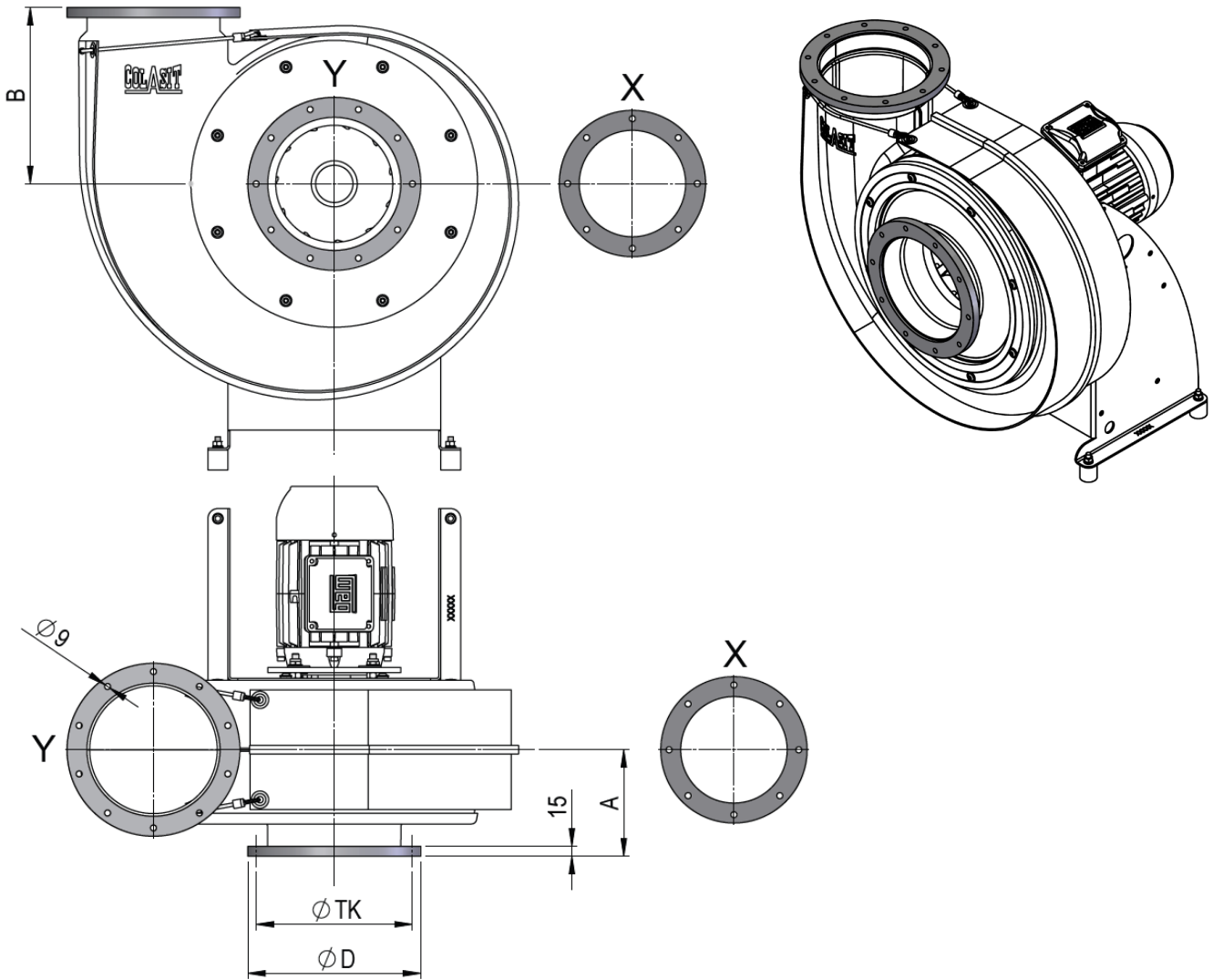
COLASIT Holland B.V.  
 Plastic construction • Larenweg 56 • NL-5234 KC 's-Hertogenbosch  
 Phone +31 (0)73 641 83 15 • verkoop@colasit.nl  
[www.colasit.nl](http://www.colasit.nl)

Competence in plastics. Worldwide.



Flange CN

- Material PPs, PPs-el, PVDF (same material as casing / inlet cone)



Ø NW	A	B	Ø D	Ø TK	Qty. Ø9	Hole pattern
125	115	180	185	160	6	Y
160	135	221	220	195	8	X
200	160	270	260	235	10	Y
250	195	325	310	285	10	Y
315	230	396	375	350	12	X
400	275	465	480	445	18	Y

Edition 2026 • Subject to alteration • Copyright by COLASIT AG Spiez

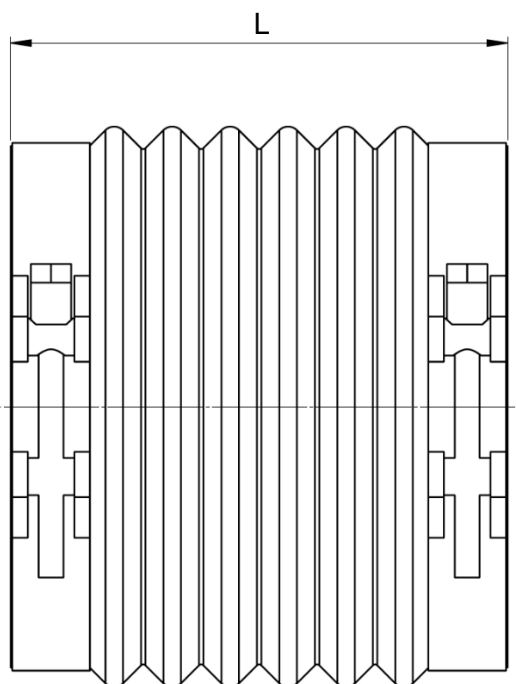
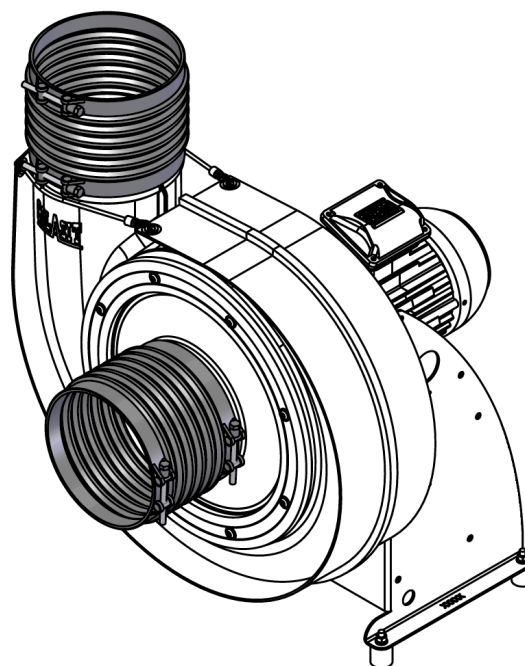
COLASIT Holland B.V.  
 Plastic construction • Larenweg 56 • NL-5234 KC 's-Hertogenbosch  
 Phone +31 (0)73 641 83 15 • verkoop@colasit.nl  
 www.colasit.nl

Competence in plastics. Worldwide.



**Wellflex sleeve with fixing bands \***

- Material                   PVC-el (sleeve, electrically conductive)  
Galvanised (fixing bands)
- Application               ATEX (zone 1)



NW Ø	L
125, 160, 200	155
250, 315, 400	160

Edition 2026 • Subject to alteration • Copyright by COLASIT AG Spiez

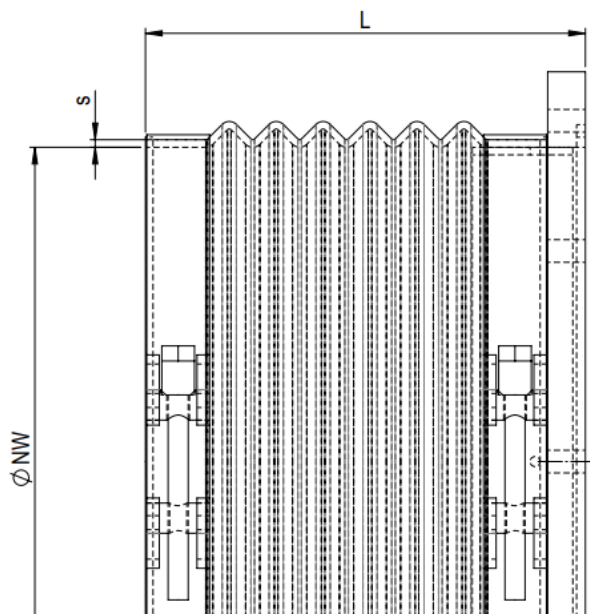
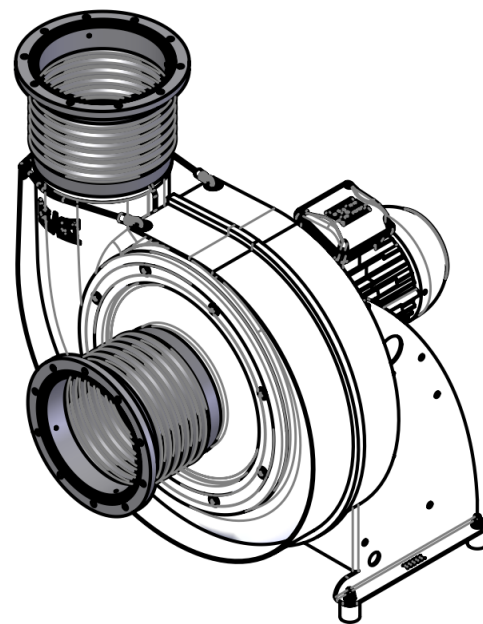
**COLASIT Holland B.V.**  
 Plastic construction • Larenweg 56 • NL-5234 KC 's-Hertogenbosch  
 Phone +31 (0)73 641 83 15 • verkoop@colasit.nl  
[www.colasit.nl](http://www.colasit.nl)

Competence in plastics. Worldwide.



**Wellflex sleeve round with flange on one side \***

- Material           PVC (flange)  
PVC-el (sleeve, electrically conductive)  
galvanised (fixing bands)
- Application       ATEX (zone 1)



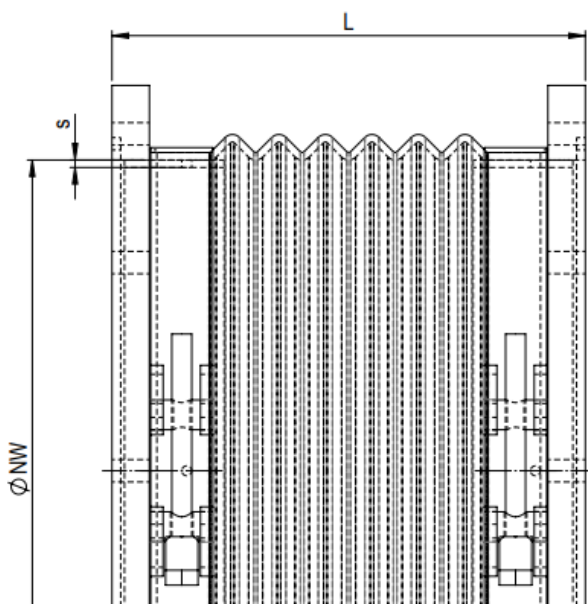
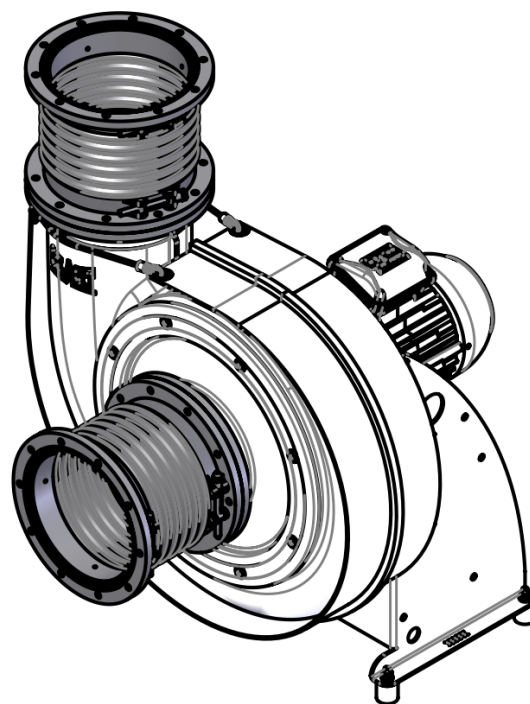
Ø NW	L	s
125, 160, 200 250, 315, 400	175	3

Edition 2026 • Subject to alteration • Copyright by COLASIT AG Spiez



## Wellflex sleeve round with flange on both sides \*

- Material
  - PVC (flange)
  - PVC-el (sleeve, electrically conductive)
  - galvanised (fixing bands)
- Application
  - in combination with «flange CN»
  - ATEX (zone 1)



Ø NW	L	s
125, 160, 200, 250, 315, 400	190	3

Edition 2026 • Subject to alteration • Copyright by COLASIT AG Spiez

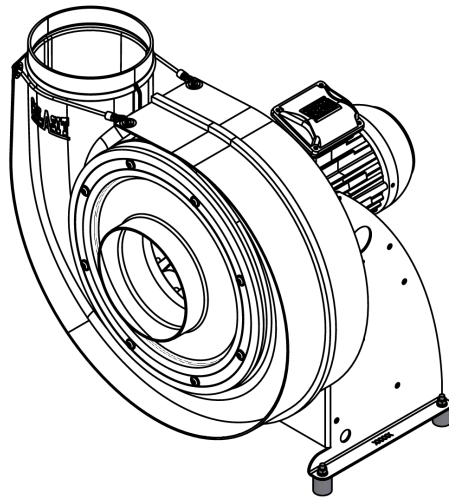
COLASIT Holland B.V.  
 Plastic construction • Larenweg 56 • NL-5234 KC 's-Hertogenbosch  
 Phone +31 (0)73 641 83 15 • verkoop@colasit.nl  
[www.colasit.nl](http://www.colasit.nl)

Competence in plastics. Worldwide.

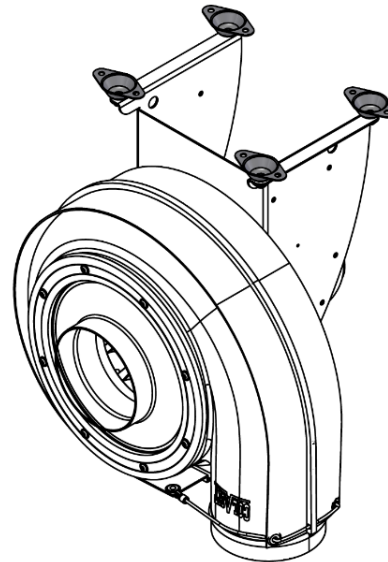


Vibration absorber / Bell mount for floor/ceiling mounting \*

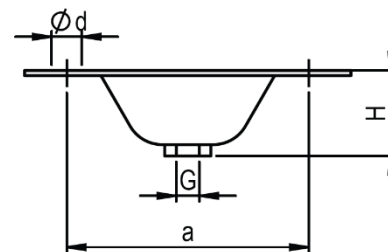
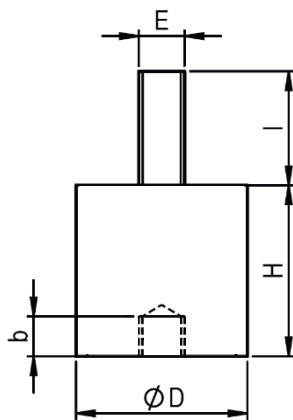
- Material
  - Natural rubber (vibration element)
  - Galvanised, stainless steel (vibration damper fastening)
  - Galvanised (bell damper fastening)



Vibration damper for floor mounting



Bell damper for ceiling mounting



Round isolator Type	Dimensions					Max. Load per pc.
	D	H	E	I	b	
30/30, B	30	30	M8	20	7	50 kg
40/40, B	40	40	M8	23	7	90 kg

Bell Mount Type	Dimensions				Max. Load per pc.
	H	G	a	d	
M6	33	M6	58	6,5	16 kg
M10	30	M10	85	10,5	50 kg

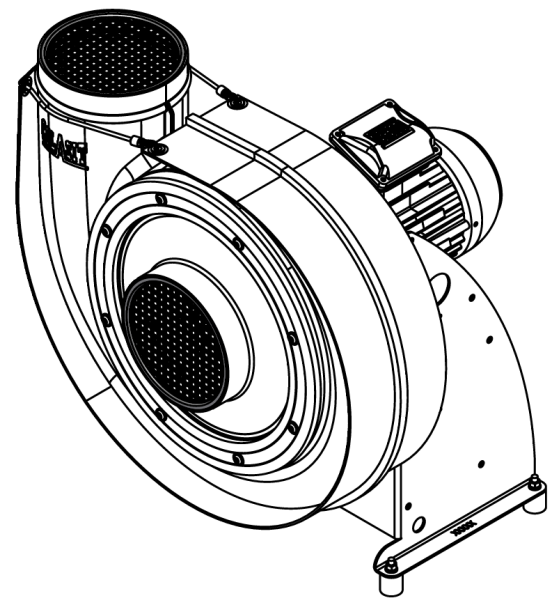
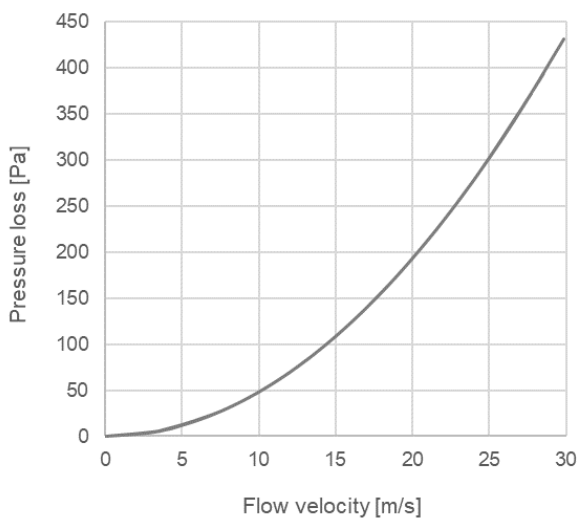
Fan Type	Floor mounting	Ceiling mounting	Quantity per fan
CMVpro 125, 160, 200	30/30, B	M6	4
CMVpro 250, 315, 400	40/40, B	M10	4

Edition 2026 • Subject to alteration • Copyright by COLASIT AG Spiez

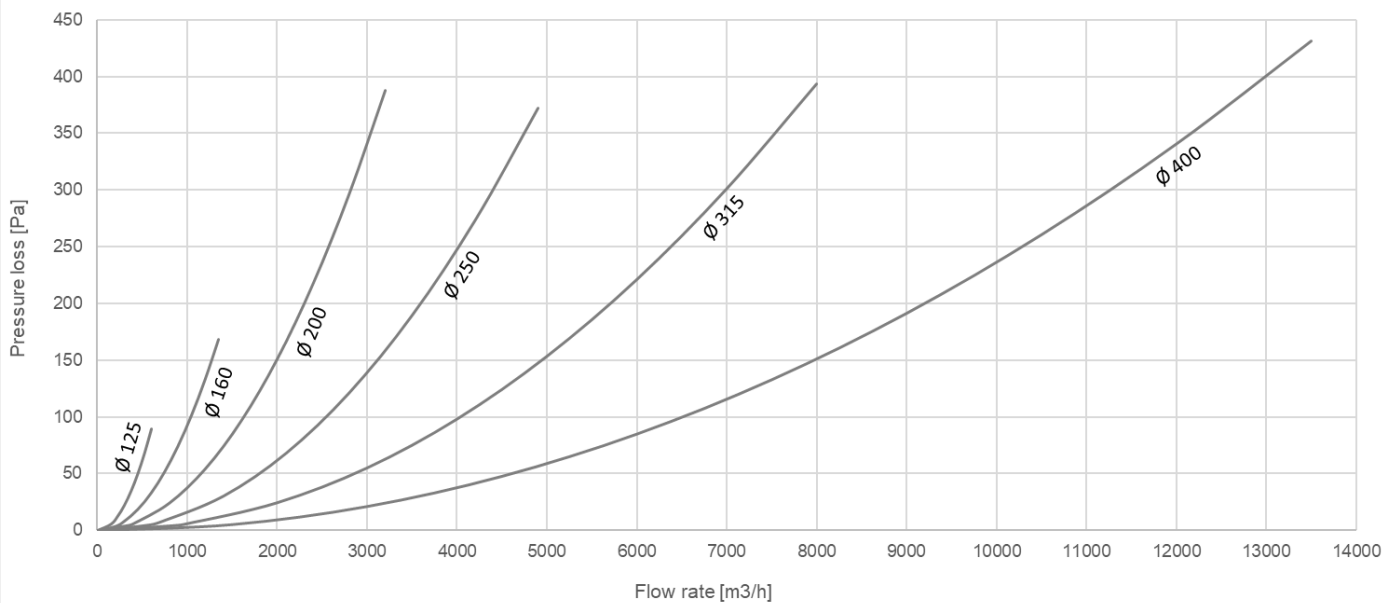
**Mesh grid \***

- Material PPs, PPs-el (same material as casing / inlet cone)
- Square perforation 10mm (IP20)
- Free cross section 69.4%
- Mounting welded
- Use only required when free suction or discharge

Pressure loss / Flow velocity



Pressure loss / Flow rate

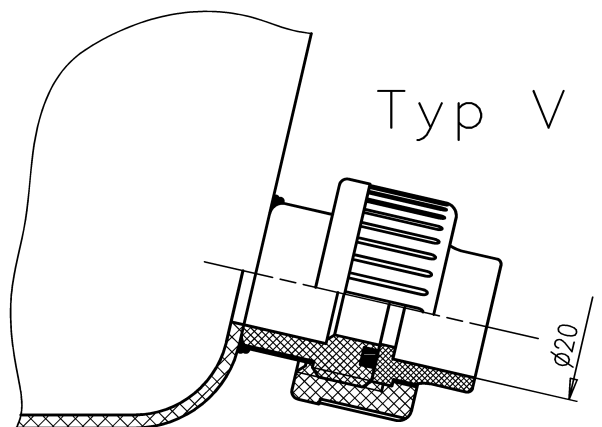
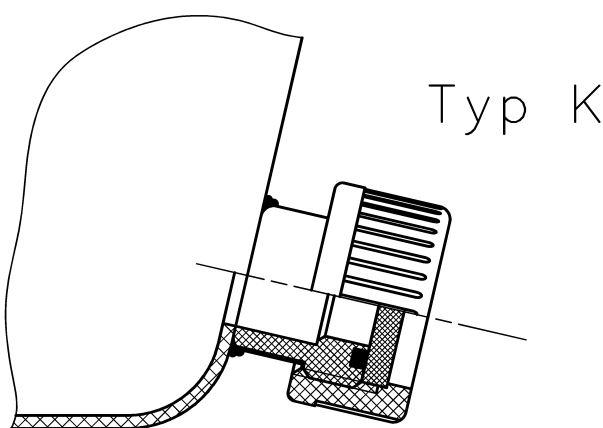
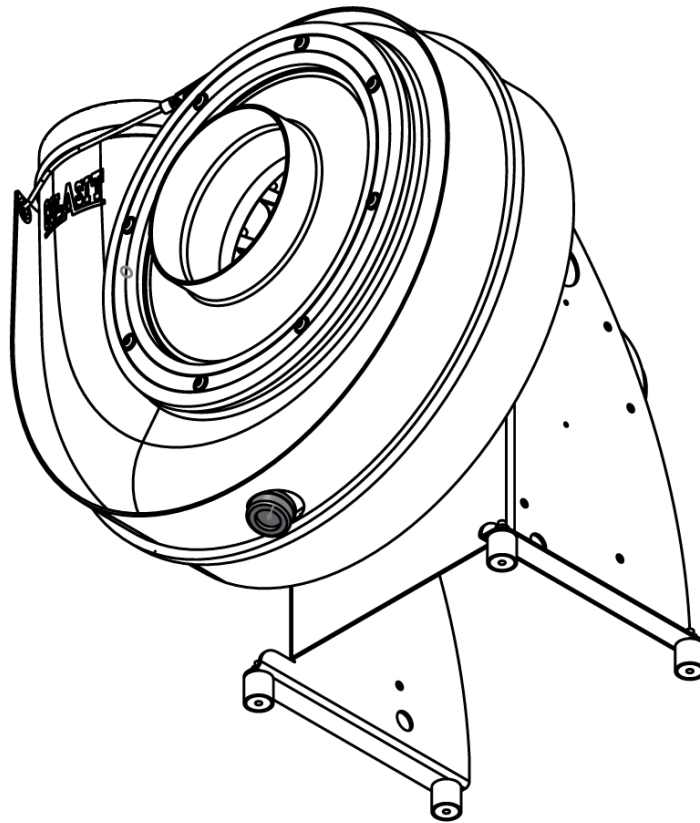


Edition 2026 • Subject to alteration • Copyright by COLASIT AG Spiez



Casing drain

- Material PP, PVDF



Fan Type	with cap	with threaded fasteners
CMVpro 125-400	Typ K	Typ V

Edition 2026 • Subject to alteration • Copyright by COLASIT AG Spiez

COLASIT Holland B.V.  
 Plastic construction • Larenweg 56 • NL-5234 KC 's-Hertogenbosch  
 Phone +31 (0)73 641 83 15 • verkoop@colasit.nl  
[www.colasit.nl](http://www.colasit.nl)

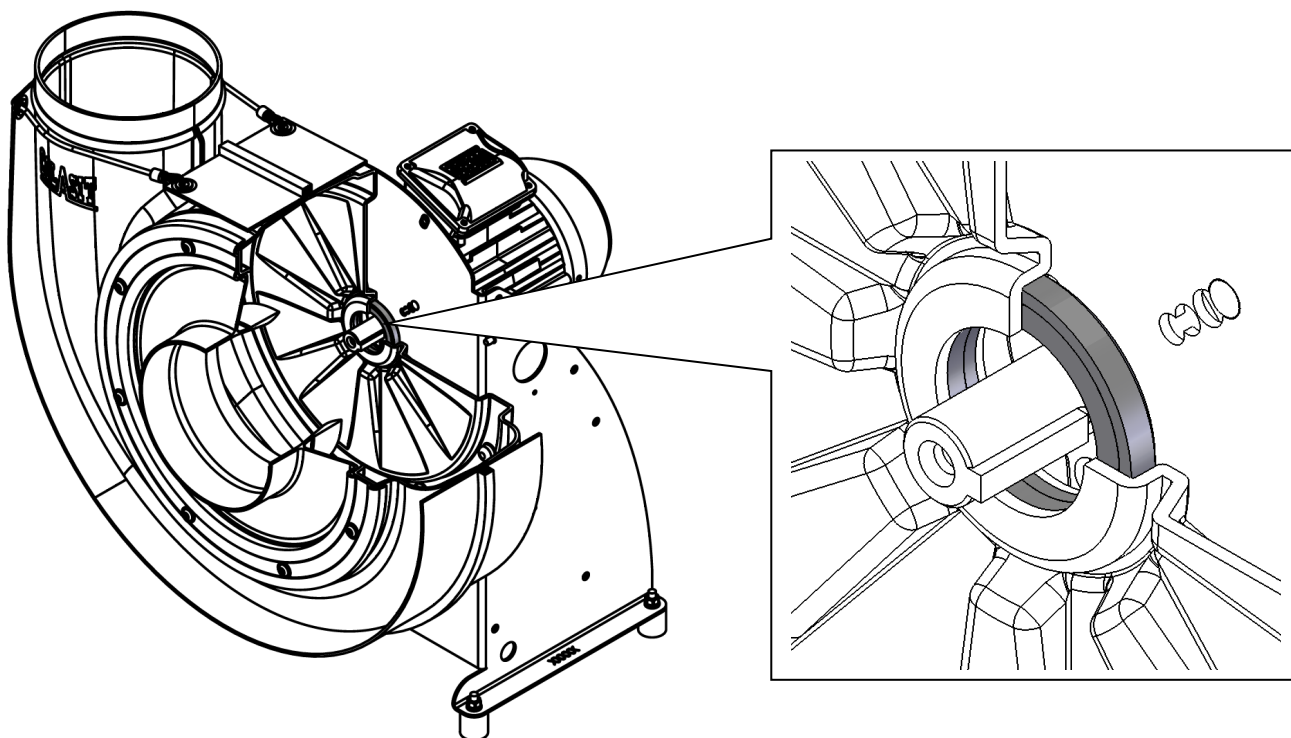
Competence in plastics. Worldwide.



**Hub seal**

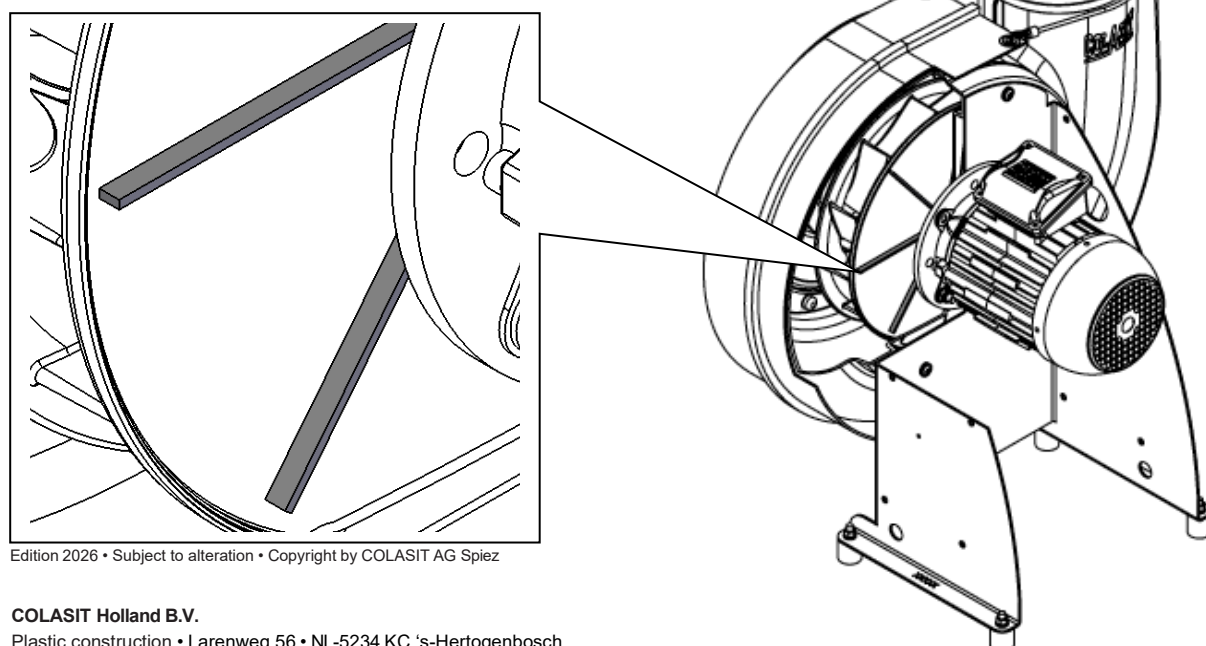
Felt ring seal

- Material           PPs, PPs-el, PVDF, Felt



**Back blades (under pressure in the hub area)**

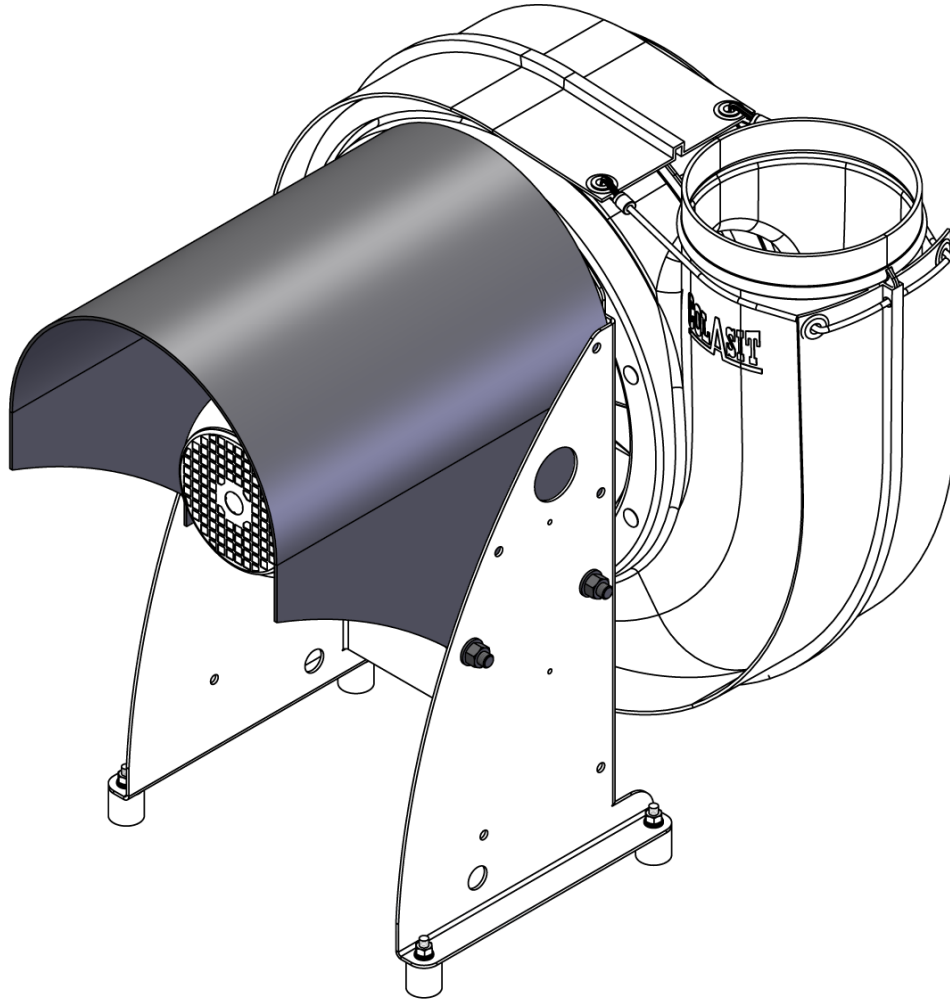
- Material           PPs, PPs-el, PVDF



Edition 2026 • Subject to alteration • Copyright by COLASIT AG Spiez

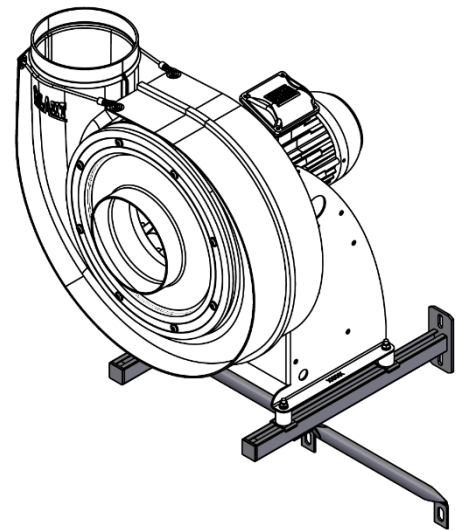
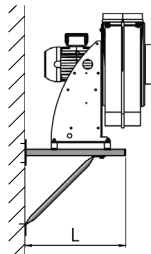
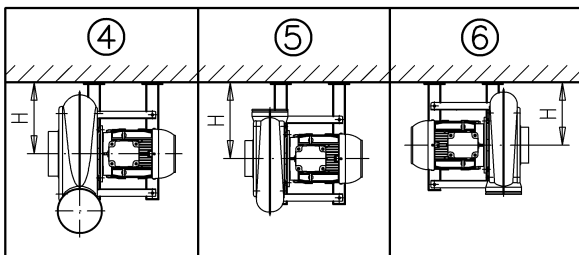
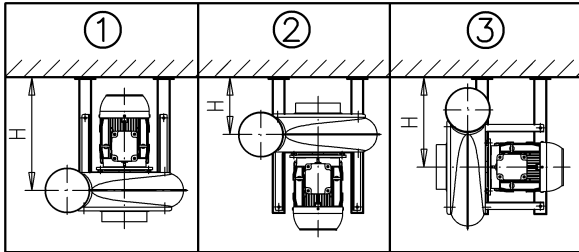
**Motor cover**

- Material PE, PPs-el (Motor cover)  
Galvanised, stainless steel (Fastening)



Wall brackets

- Material Galvanised, stainless steel

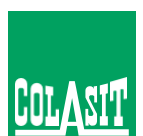


		Mounting positions					
		1	2	3	4	5	6
CMVpro 125	L	500	500	500	500	500	500
	H	480	180	310	270	300	290
CMVpro 160	L	500	500	500	500	500	500
	H	480	180	330	290	300	300
CMVpro 200	L	500	750	750	500	750	750
	H	500	290	470	290	440	440
CMVpro 250	L	750	750	750	750	750	750
	H	690	290	490	420	450	450
CMVpro 315	L	750	750	1000	750	1000	1000
	H	710	280	640	450	580	600
CMVpro 400	L	750	1000	1000	1000	1000	1000
	H	790	400	670	560	580	610

Edition 2026 • Subject to alteration • Copyright by COLASIT AG Spiez

COLASIT Holland B.V.  
 Plastic construction • Larenweg 56 • NL-5234 KC 's-Hertogenbosch  
 Phone +31 (0)73 641 83 15 • verkoop@colasit.nl  
 www.colasit.nl

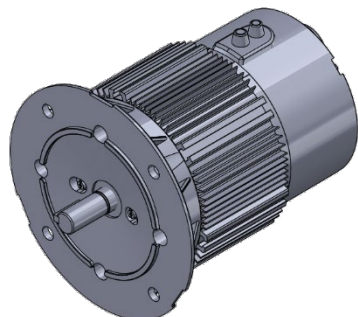
Competence in plastics. Worldwide.



## Frequency converter for speed control

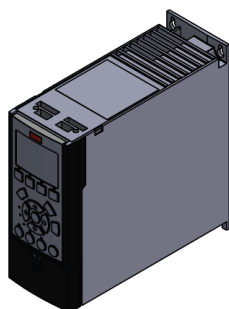
Motor with integrated frequency converter

- Safety class IP55
- Speed control Continuous with external control signal

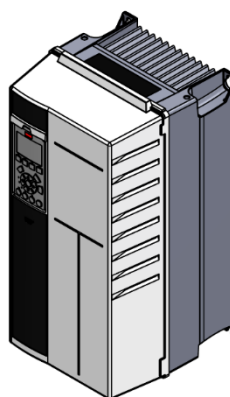


Frequency converter

- Safety class IP20 bis IP55
- Speed control Continuous with integrated control panel  
Continuous with external control signal



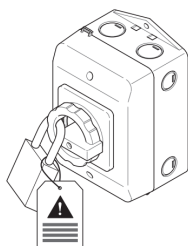
*Frequency converter IP20  
for control cabinet installation*



*Frequency converter IP55  
for external installation*

## Isolation switch

- Safety class IP66
- Revision protection: Lockable



Edition 2026 • Subject to alteration • Copyright by COLASIT AG Spiez