

Overview

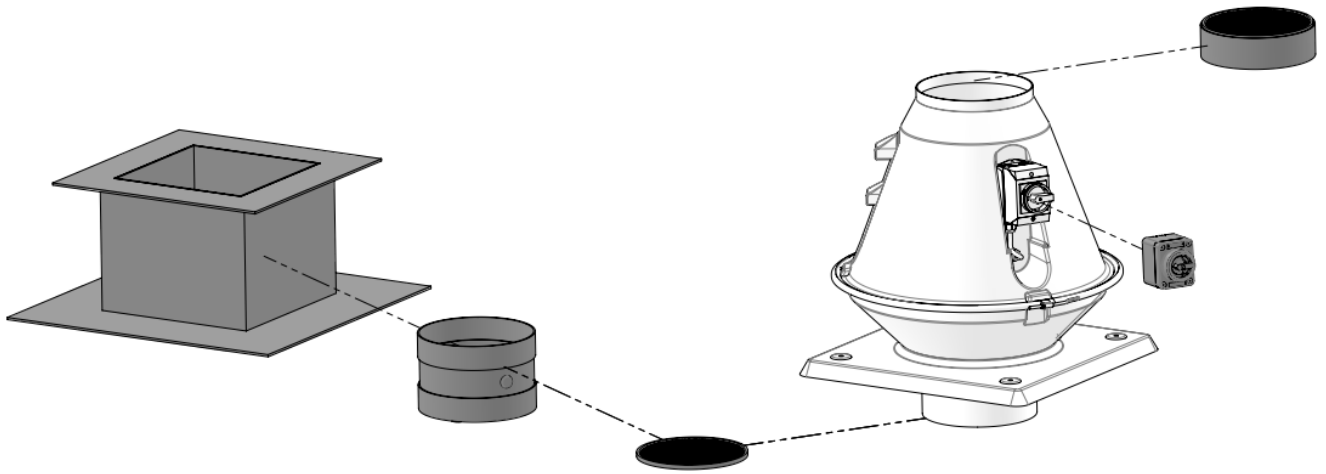
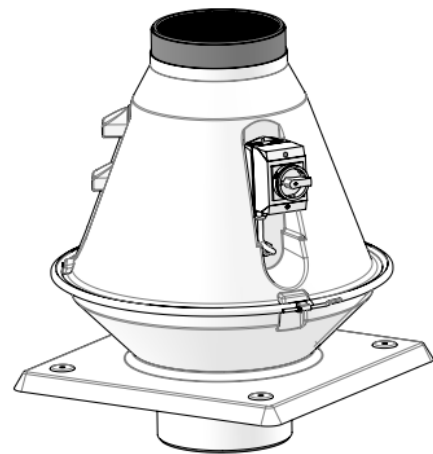
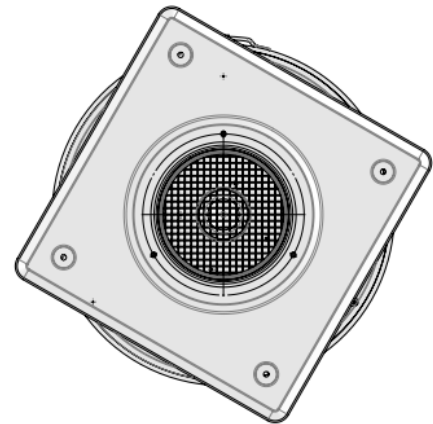


Table of contents

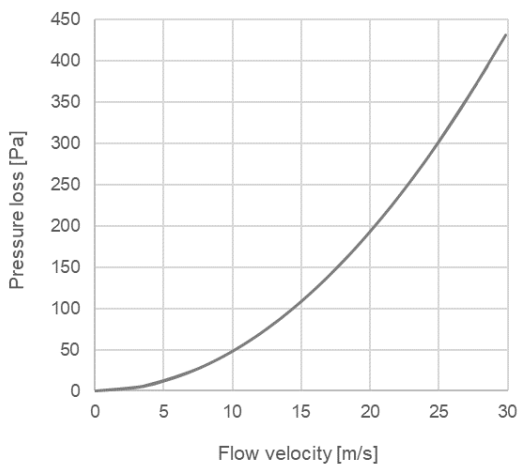
| | |
|---|---|
| Protective grid | 2 |
| Check valve with sleeves | 3 |
| Roof mounting base | 4 |
| Frequency converter for speed control | 5 |
| Inspection switch | 5 |

Protective grid

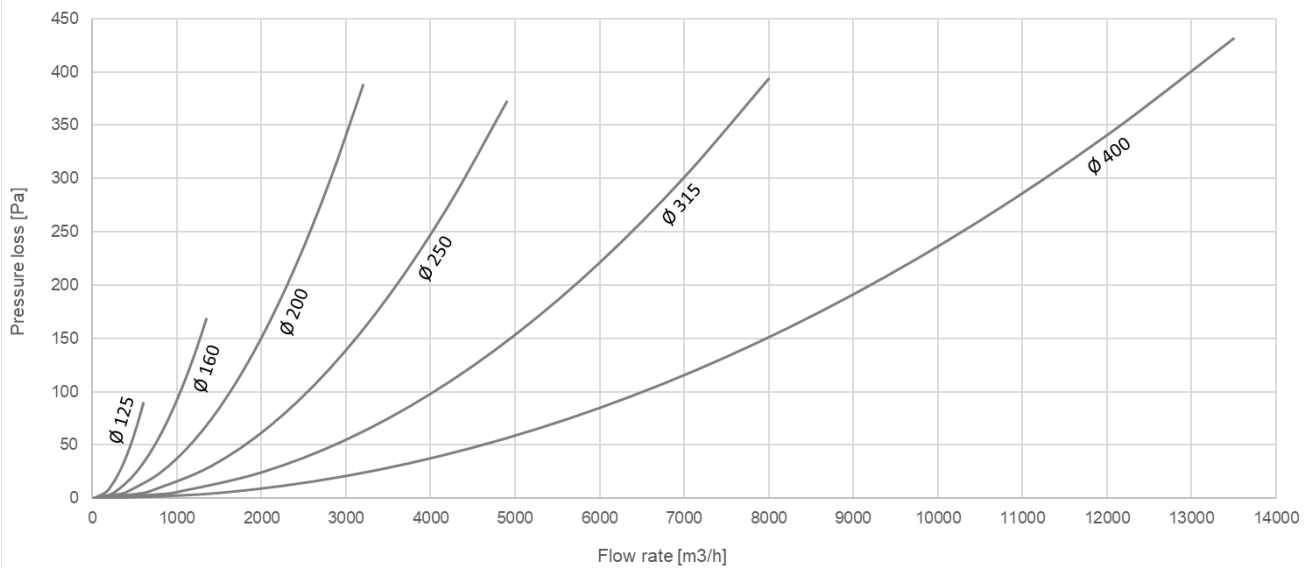
- Material PPs, PPs-el (same as housing)
- Square perforation 10mm (IP20)
- Free cross-section 69.4%
- Mounting welded on
- Application only with free sucking or blowing out required



Pressure loss / Flow velocity



Pressure loss / Flow rate

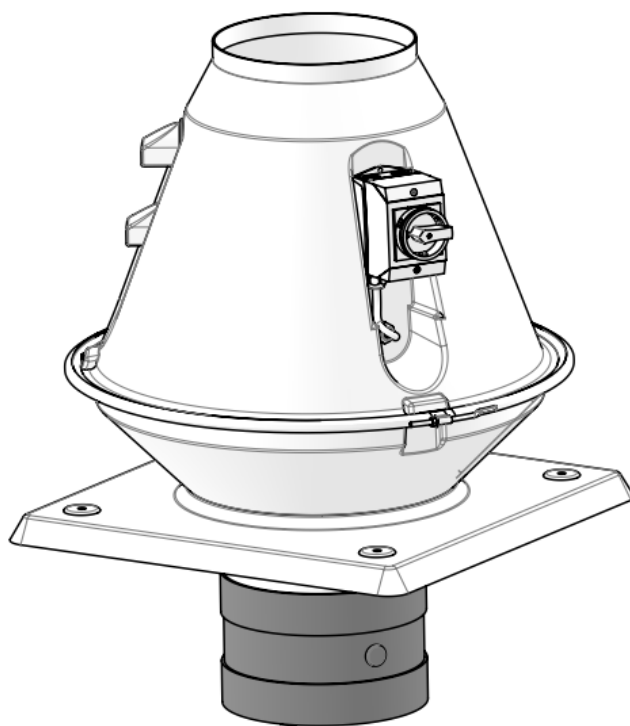
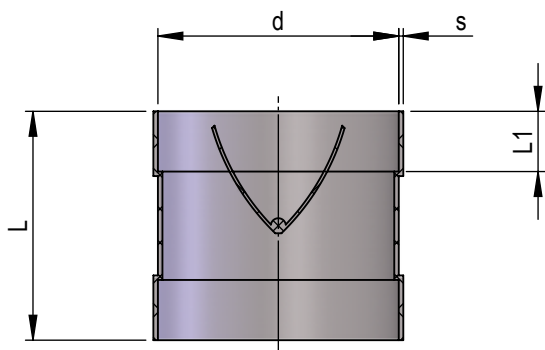


Edition 2026 • Subject to alteration • Copyright by COLASIT AG Spiez



Check valve with sleeves

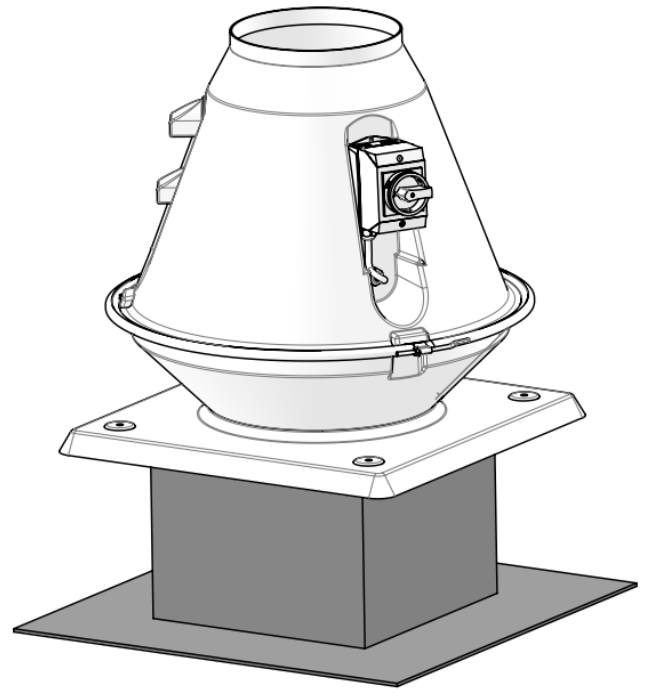
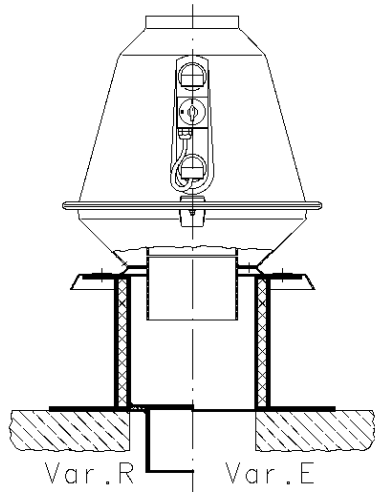
- Material PPs, PPs-el
- Operating pressure +/- 1500 Pa, 40°C



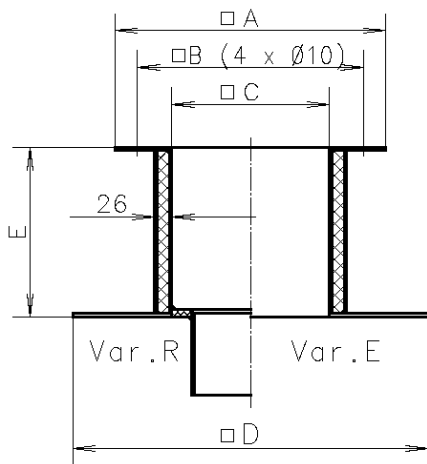
| d | L | L1 | s |
|-----|-----|----|-----|
| 200 | 170 | 50 | 3.3 |
| 250 | 170 | 50 | 3.5 |
| 315 | 170 | 50 | 5 |

Roof mounting base

- Material GRP, PVC
- Design thermally insulated
- Option with inner jacket PPs-el (ATEX)



Thermal conductivity 0.024 W/mK



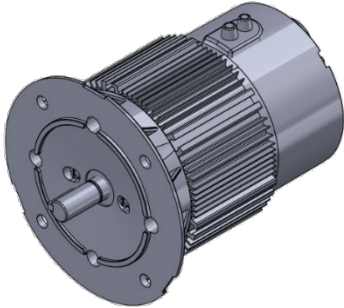
Note : Colasit recommends connecting pipe collars (with straps or flanges) only to the roof mounting base. When connecting directly to the fan pipe, accessibility is difficult if the fan is subsequently removed.

| Size | A | B | C | D | E |
|------|-----|-----|-----|-----|-----|
| 200 | 480 | 400 | 283 | 630 | 300 |
| 250 | 520 | 435 | 318 | 670 | 300 |
| 315 | 630 | 520 | 403 | 750 | 300 |

Frequency converter for speed control

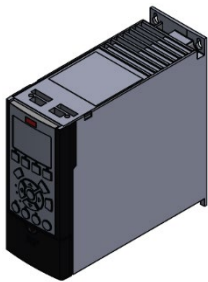
Motor with built-in frequency inverter

- Protection class IP55
- Speed adjustment Stepless with external control signal

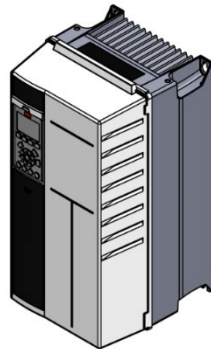


Frequency converter for speed control

- Protection class IP20 to IP55
- Speed adjustment Stepless with integrated control panel
Stepless with external control signal



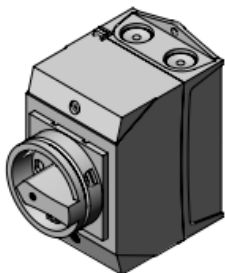
*Frequency converter IP20
for control cabinet installation*



*Frequency converter IP55
for external installation*

Inspection switch

- Protection class IP66
- Check fuse: 10A
- Revision protection: lockable



Standard version



EX version

Edition 2026 • Subject to alteration • Copyright by COLASIT AG Spiez

COLASIT Holland B.V.
 Plastic construction • Larenweg 56 • NL-5234 KC 's-Hertogenbosch
 Phone +31 (0)73 641 83 15 • verkoop@colasit.nl
www.colasit.nl

Competence in plastics. Worldwide.

