

Overview

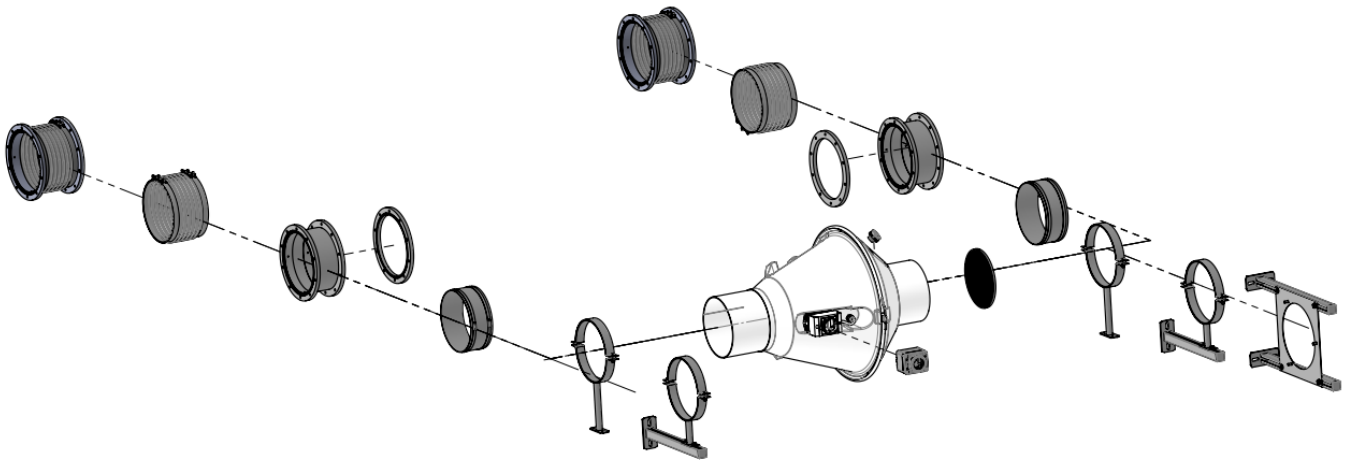


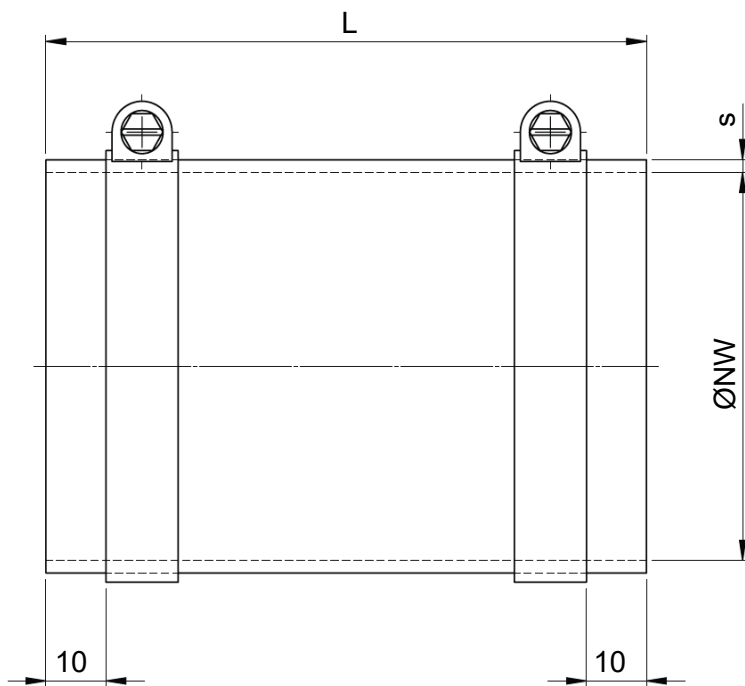
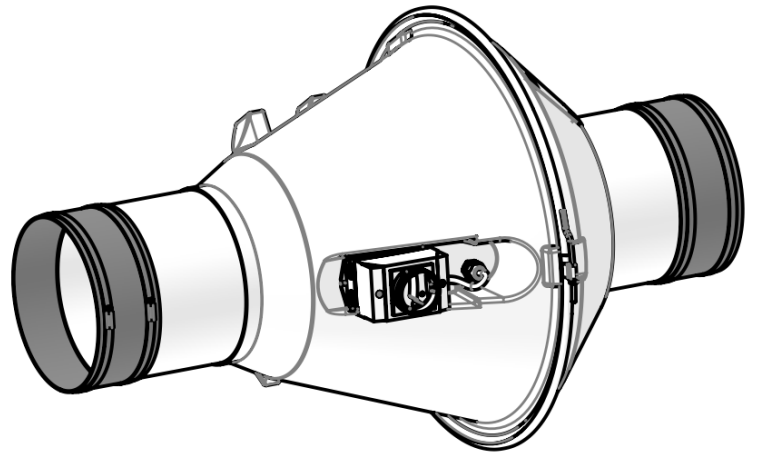
Table of contents

Cuff round with hose clamps *	2
Round sleeve with flange on both sides *	3
Flange CN *	4
Wellflex sleeve with hose clamps *	5
Wellflex collar round with flange on both sides *	6
Protective grid (mesh grille)	7
Casing drain	8
Floor/ceiling mounting CRDV	9
Wall mounting CRDV horizontal	10
Vertical wall mounting	11
Frequency converter for speed control	12
Isolation switch	12

*Required selection for operation

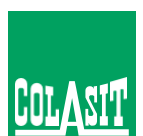
Cuff round with hose clamps *

- Material Soft PVC (cuff)
 Stainless steel (hose clamp)



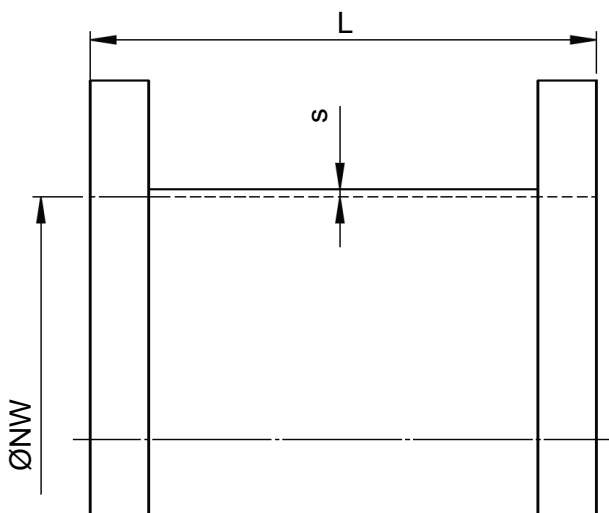
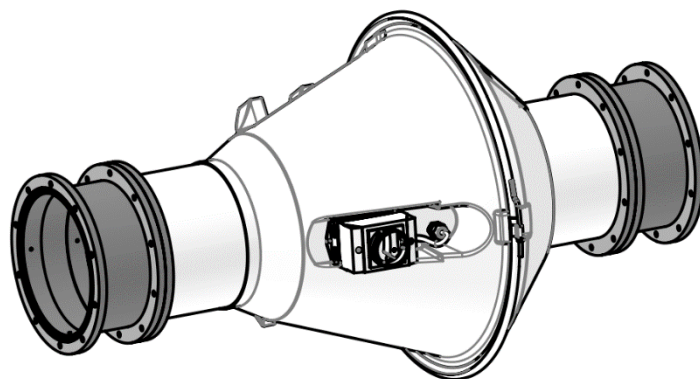
Ø NW	L	s
200, 250, 315	100	2

Edition 2026 • Subject to alteration • Copyright by COLASIT AG Spiez



Round sleeve with flange on both sides *

- Material PVC (flange)
 Soft PVC (cuff)
- Application in combination with «Flange CN»



Ø NW	L	s
200, 250, 315	130	2

Edition 2026 • Subject to alteration • Copyright by COLASIT AG Spiez

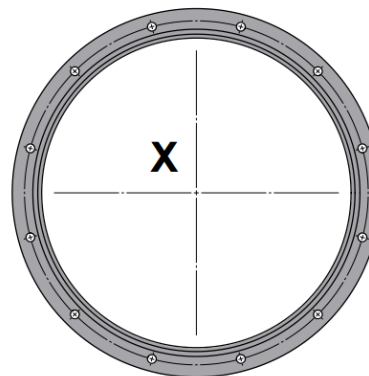
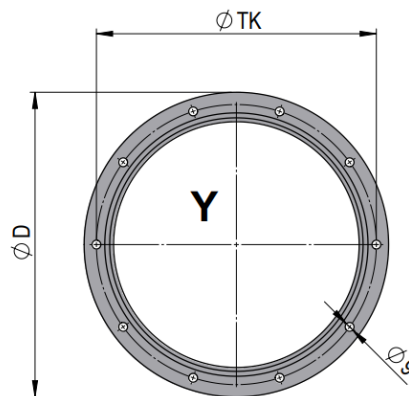
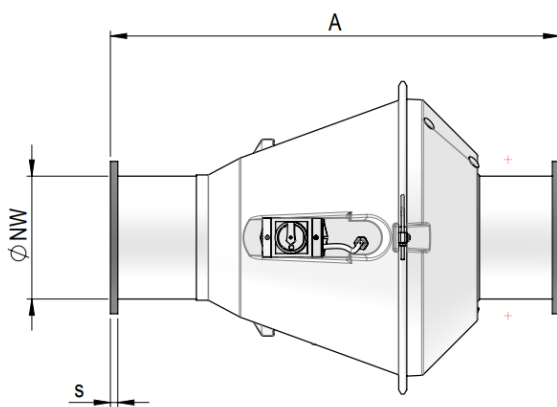
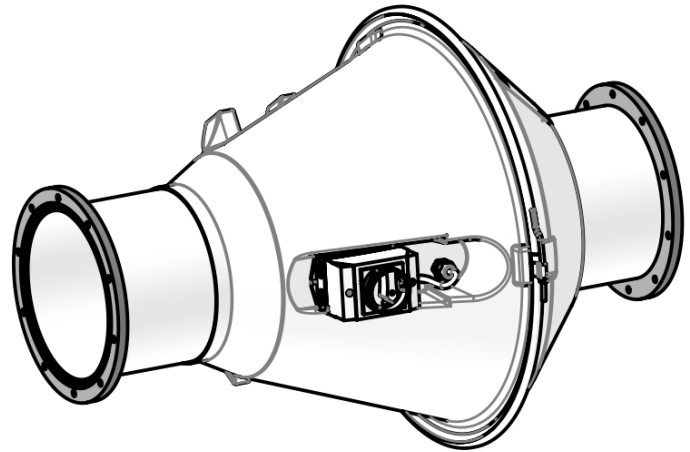
COLASIT Holland B.V.
 Plastic construction • Larenweg 56 • NL-5234 KC 's-Hertogenbosch
 Phone +31 (0)73 641 83 15 • verkoop@colasit.nl
www.colasit.nl

Competence in plastics. Worldwide.



Flange CN *

- Material PPs, PPs-el (same as housing)

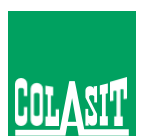


$\varnothing NW$	A	$\varnothing D$	$\varnothing TC$	No. $\varnothing 9$	s	Hole pattern
200	810	260	235	10	15	Y
250	915	310	285	10	15	Y
315	1041	375	350	12	15	X

Edition 2026 • Subject to alteration • Copyright by COLASIT AG Spiez

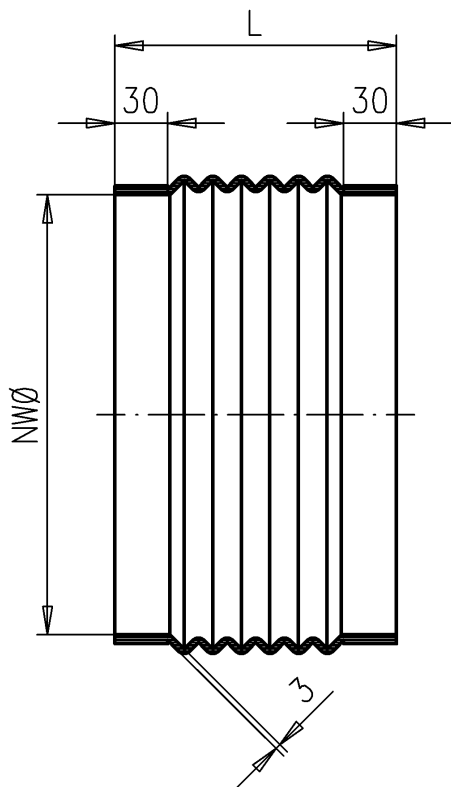
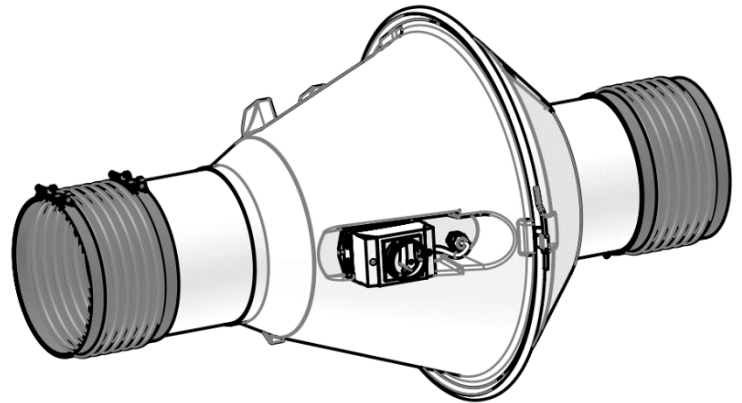
COLASIT Holland B.V.
 Plastic construction • Larenweg 56 • NL-5234 KC 's-Hertogenbosch
 Phone +31 (0)73 641 83 15 • verkoop@colasit.nl
www.colasit.nl

Competence in plastics. Worldwide.



Wellflex sleeve with hose clamps *

- Material PVC-el (sleeve, electrically conductive)
 galvanised (hose clamp)
- Application ATEX (Zone 1)

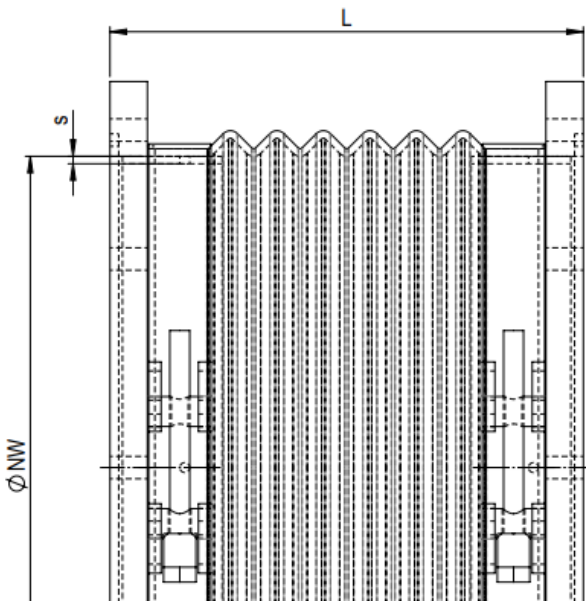
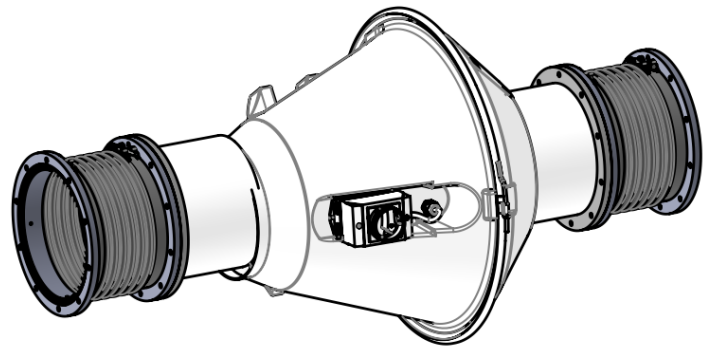


NW Ø	L
200	155
250, 315	160

Edition 2026 • Subject to alteration • Copyright by COLASIT AG Spiez

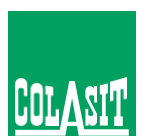
Wellflex collar round with flange on both sides *

- Material PVC (flange)
PVC-el (sleeve, electrically conductive)
galvanised (hose clamp)
- Application ATEX (Zone 1)
in combination with «Flange CN»



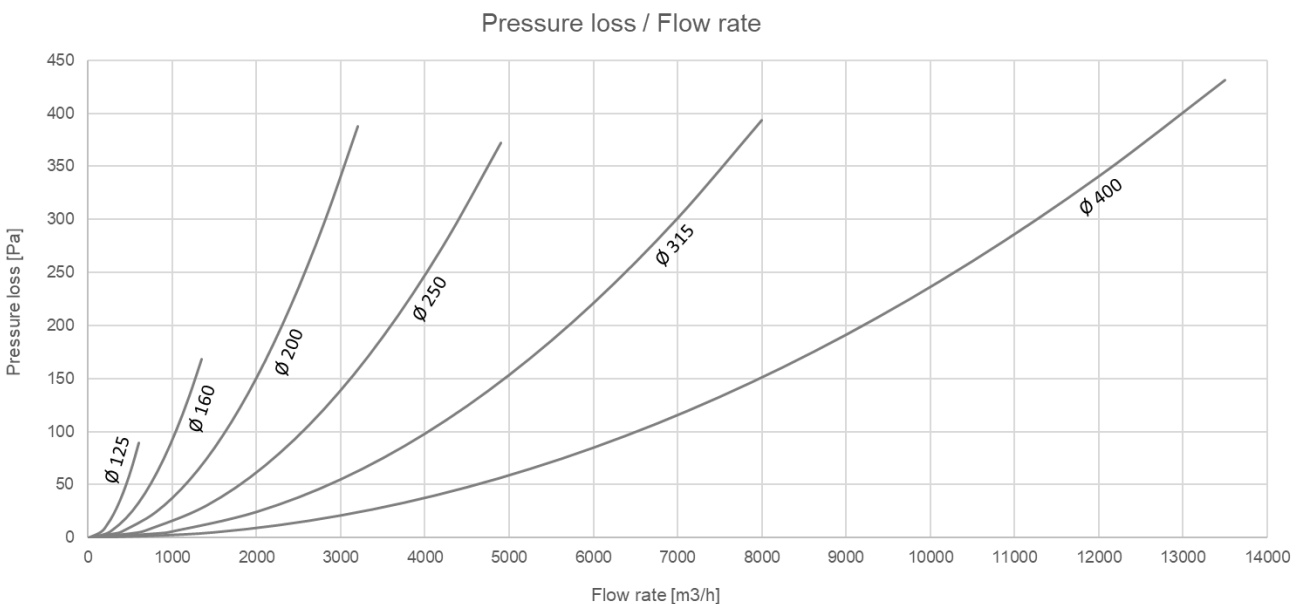
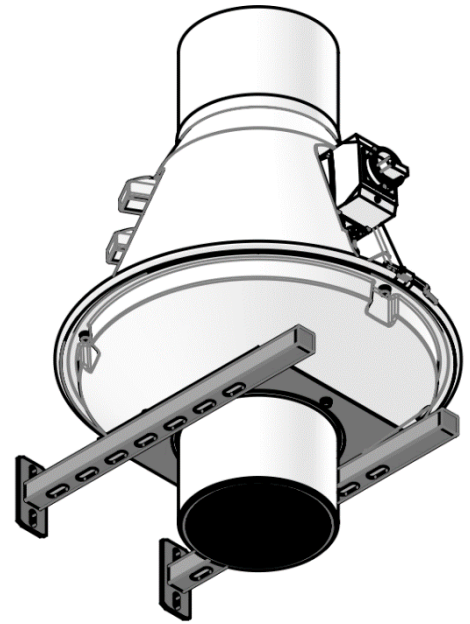
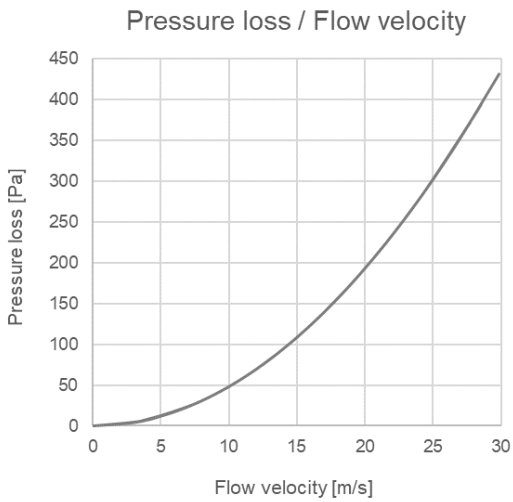
Ø NW	L	s
200, 250, 315	190	3

Edition 2026 • Subject to alteration • Copyright by COLASIT AG Spiez



Protective grid (mesh grille)

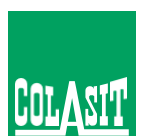
- Material PPs, PPs-el (same as housing)
- Square perforation 10mm (IP20)
- Free cross-section 69.4%
- Mounting welded on
- Application only with free sucking or blowing out required



Edition 2026 • Subject to alteration • Copyright by COLASIT AG Spiez

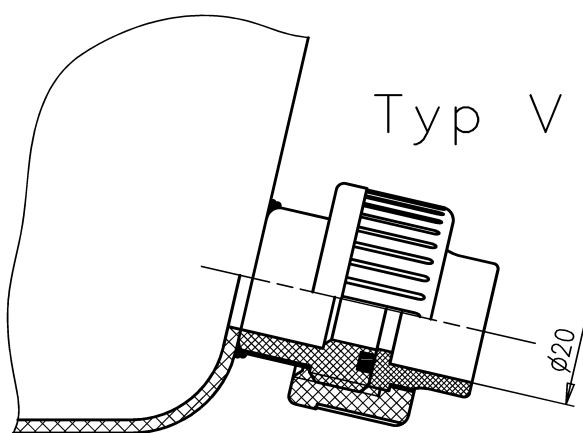
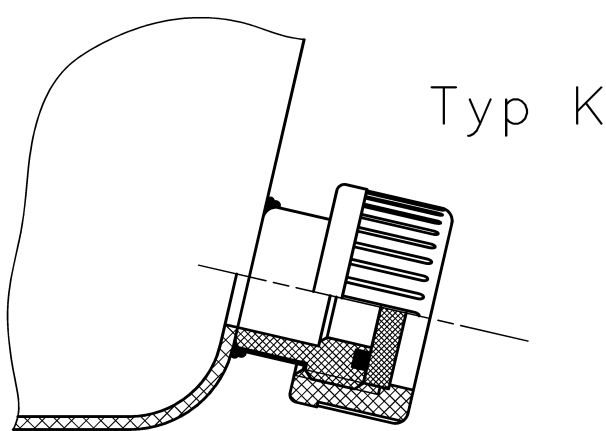
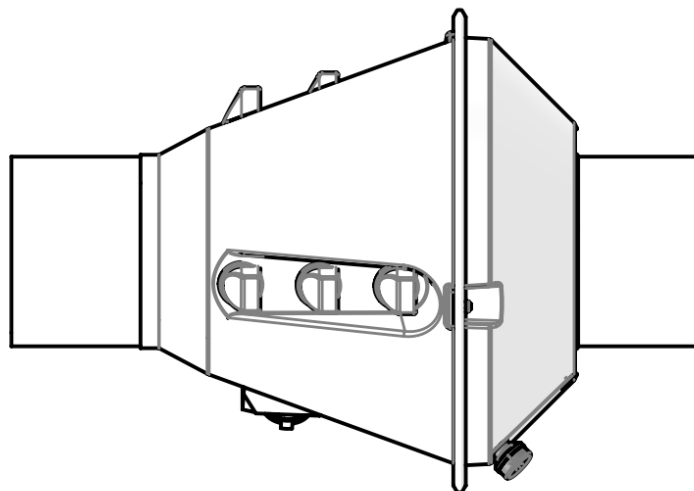
COLASIT Holland B.V.
 Plastic construction • Larenweg 56 • NL-5234 KC 's-Hertogenbosch
 Phone +31 (0)73 641 83 15 • verkoop@colasit.nl
www.colasit.nl

Competence in plastics. Worldwide.



Casing drain

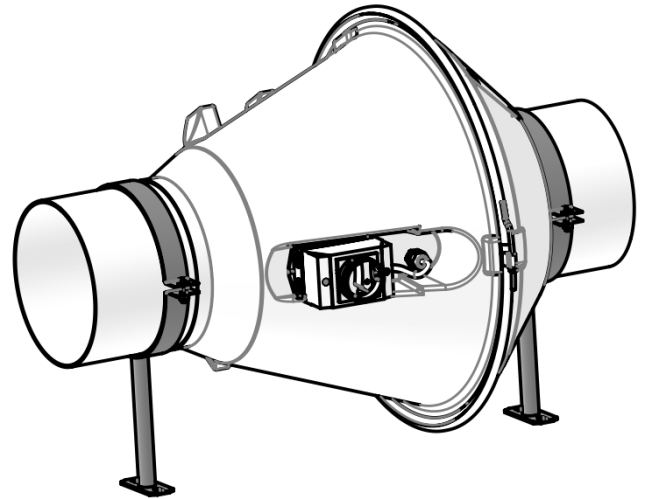
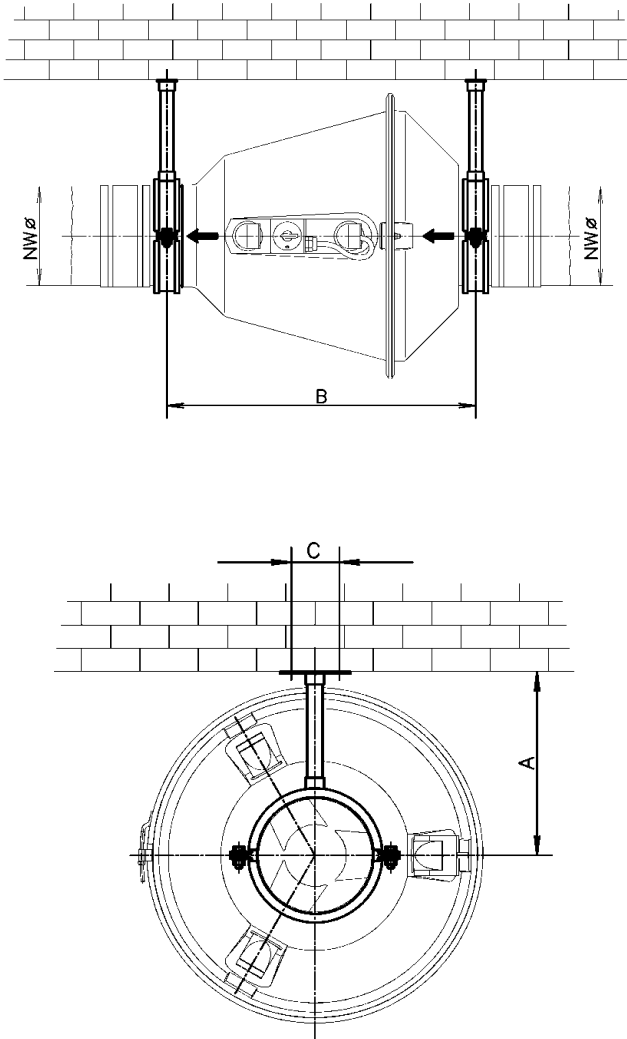
- Material PP



Fan type	with cap	with threaded fasteners
CRDV-R 200-315	Type K	Type V

Floor/ceiling mounting CRDV

- Material Galvanised, stainless steel

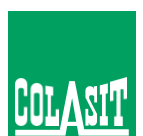


CRDV	200/180 200/200	250/225 250/250	315/280 315/315
NW Ø	200	250	315
A	315	345	380
B	630	645	670
C	83	83	83

Edition 2026 • Subject to alteration • Copyright by COLASIT AG Spiez

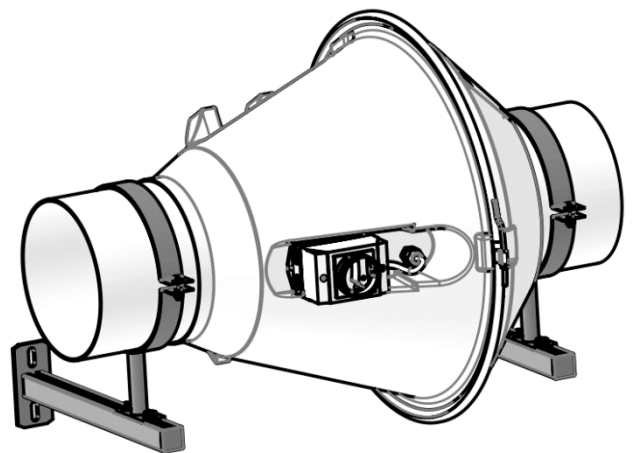
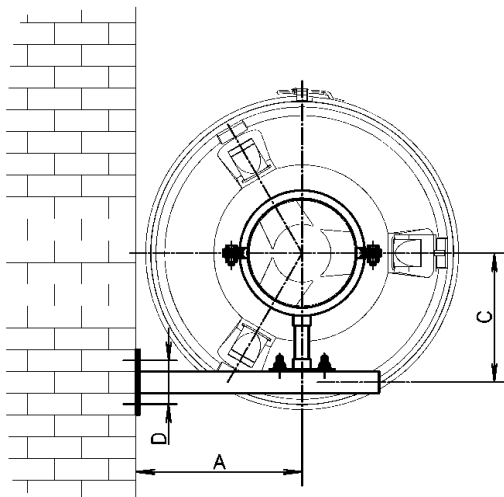
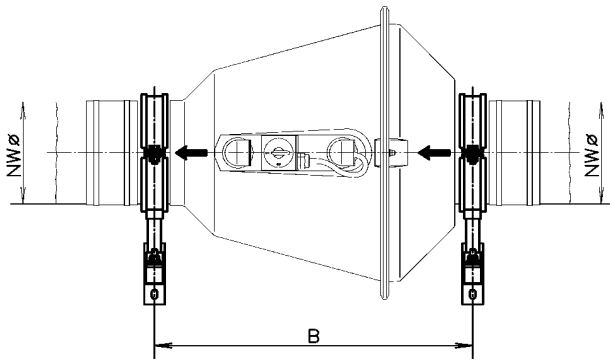
COLASIT Holland B.V.
 Plastic construction • Larenweg 56 • NL-5234 KC 's-Hertogenbosch
 Phone +31 (0)73 641 83 15 • verkoop@colasit.nl
 www.colasit.nl

Competence in plastics. Worldwide.



Wall mounting CRDV horizontal

- Material Galvanised, stainless steel



CRDV	200/180 200/200	250/225 250/250	315/280 315/315
NW Ø	200	250	315
A	315	345	380
B	630	645	670
C	240	265	298
D	80	80	80

Edition 2026 • Subject to alteration • Copyright by COLASIT AG Spiez

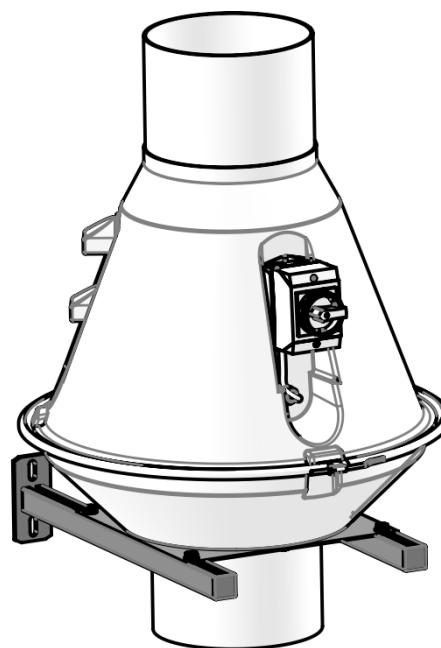
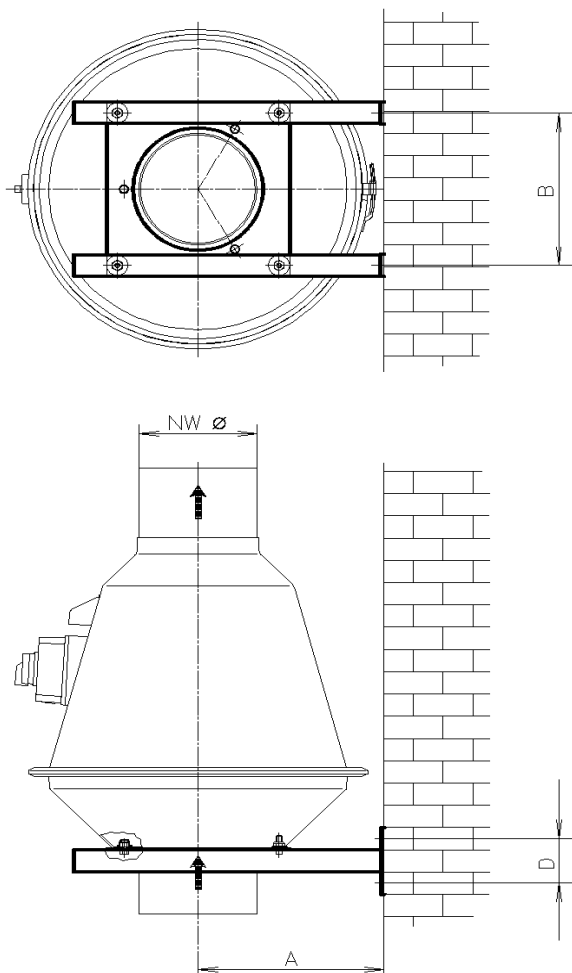
COLASIT Holland B.V.
 Plastic construction • Larenweg 56 • NL-5234 KC 's-Hertogenbosch
 Phone +31 (0)73 641 83 15 • verkoop@colasit.nl
www.colasit.nl

Competence in plastics. Worldwide.



Vertical wall mounting

- Material Galvanised, stainless steel



CRDV	200	250	315
NW Ø	200	250	315
A	315	345	380
B	274	318	374
C	80	80	80

Edition 2026 • Subject to alteration • Copyright by COLASIT AG Spiez

COLASIT Holland B.V.
 Plastic construction • Larenweg 56 • NL-5234 KC 's-Hertogenbosch
 Phone +31 (0)73 641 83 15 • verkoop@colasit.nl
www.colasit.nl

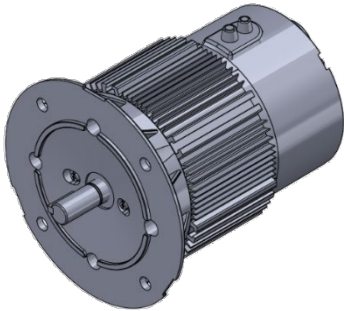
Competence in plastics. Worldwide.



Frequency converter for speed control

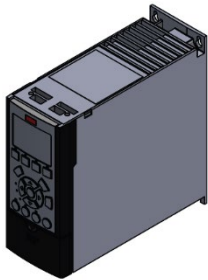
Motor with built-in frequency inverter

- Protection class IP55
- Speed adjustment Stepless with external control signal

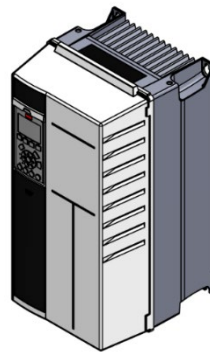


Frequency converter for speed control

- Safety class IP20 to IP55
- Speed adjustment Stepless with integrated control panel
Stepless with external control signal



*Frequency converter IP20
for control cabinet installation*

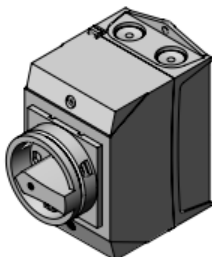


*Frequency converter IP55
for external installation*

Isolation switch

Note: Mounted depending on the fan version

- Protection class IP66
- Fuse: 10A
- Revision protection: lockable



Standard version



EX version

Edition 2026 • Subject to alteration • Copyright by COLASIT AG Spiez