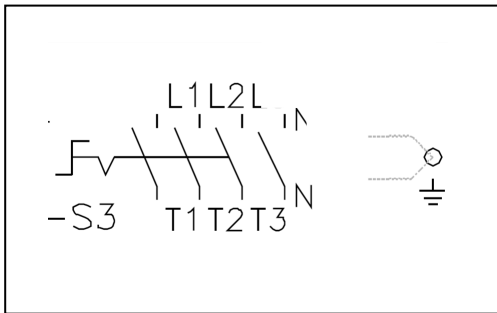
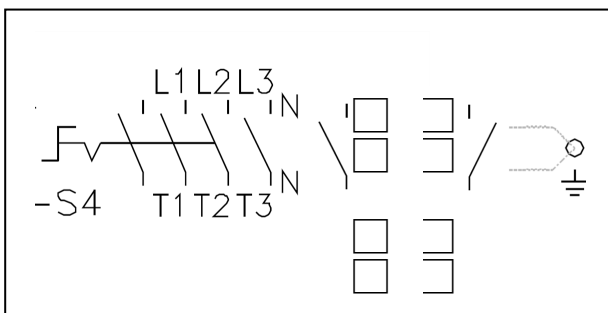


Wiring diagram

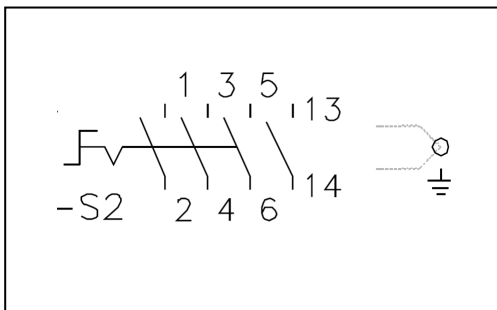
Safety switch standard version max. 10A



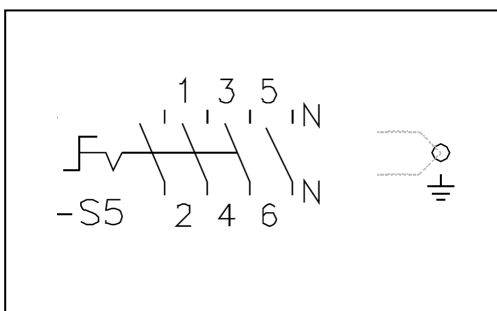
Safety switch EMC version with auxiliary contact suitable for frequency converter max. 10A



Safety switch Ex version with auxiliary contact max. 10A



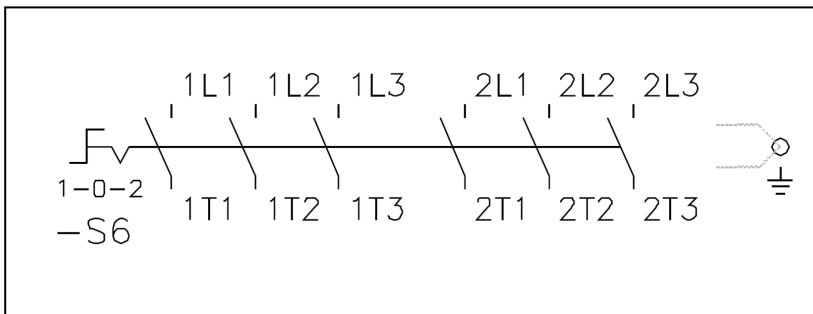
Safety switch Ex/EMC version with auxiliary contact suitable for frequency converter max. 10A



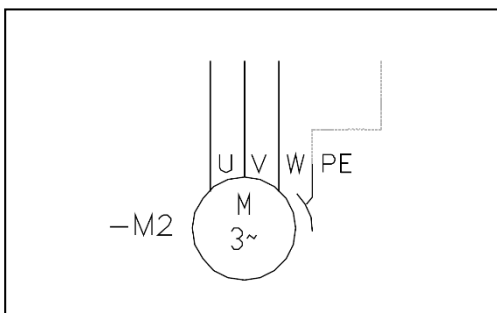
Edition 2026 • Subject to alteration • Copyright by COLASIT AG Spiez

Wiring diagram

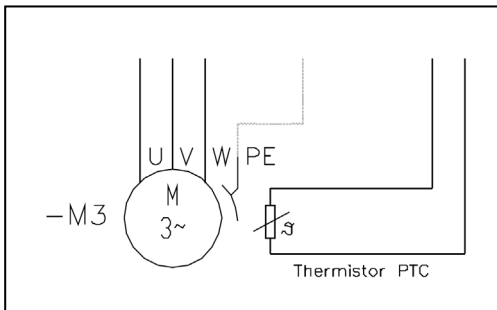
Safety switch standard version 2 speed max. 10A



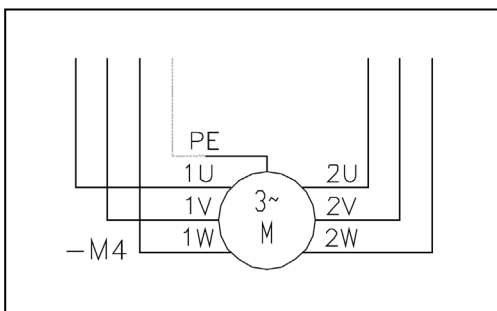
Wiring diagram motor 1 speed without thermistor (PTC)



Wiring diagram motor 1 speed with thermistor (PTC)



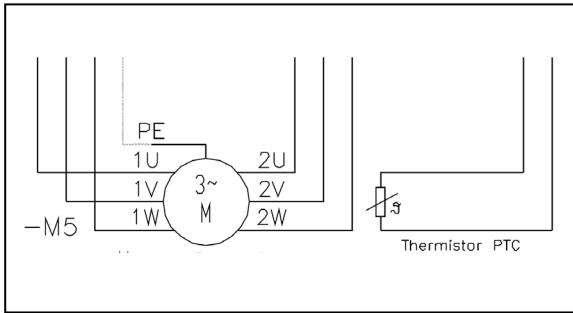
Wiring diagram motor 2 speed without thermistor (PTC) (separated windings) 3 x 400V / 50 Hz



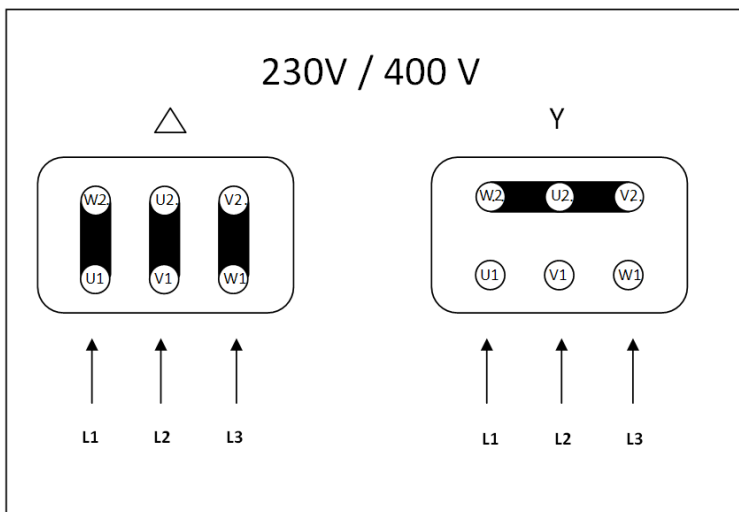
Edition 2026 • Subject to alteration • Copyright by COLASIT AG Spiez

Wiring diagram

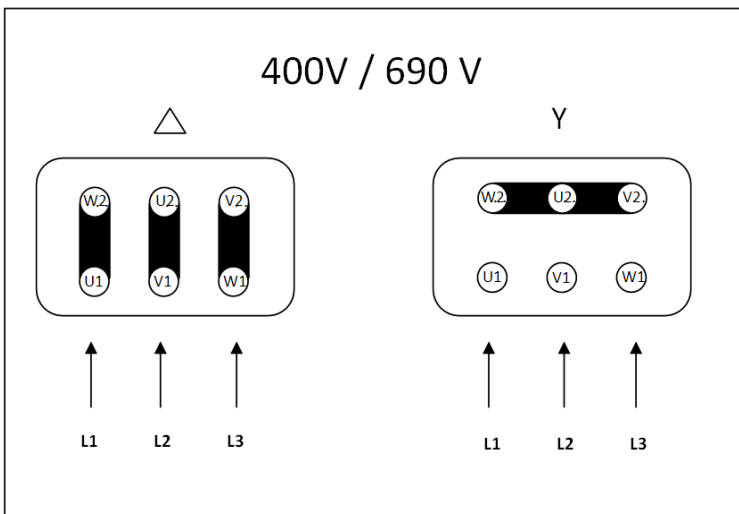
Wiring diagram motor 2 speed with thermistor (PTC) (separated windings) 3 x400 Volt / 50 Hz



Terminal allocation 230/400 Volt



Terminal allocation 400/690 Volt



Edition 2026 • Subject to alteration • Copyright by COLASIT AG Spiez

COLASIT Holland B.V.
 Plastic construction • Larenweg 56 • NL-5234 KC 's-Hertogenbosch
 Phone +31 (0)73 641 83 15 • verkoop@colasit.nl
www.colasit.nl

Competence in plastics. Worldwide.

