

Exhaust air purification

CRHE

Cross-flow exhaust air scrubber
made of plastic

Setting the standard for clean air. Worldwide.

COLASIT

The Colasit CRHE cross-flow exhaust air scrubber with a horizontal design cleans process exhaust air that is highly contaminated with acidic and alkaline impurities up to a volume flow of 70000 m³/h. Special versions with higher air performance are available on request.

Utilisation

Cleaning highly-contaminated process air with acidic or alkaline contamination.

For use in:

- Food industry
- Pharmaceutical, chemical or biochemical industry
- Semiconductor, solar power, and surface technology
- Sewage and waste management systems
- Composting
- Drying processes

Characteristics

Volume flow

min. 1500 m³/h to max. 70000 m³/h

Operating pressure

+/- 1500 Pa (special models for higher pressures available)

Efficiency (tot. mech.)

max. 99.0%

Operating temperature

max. 40°C (special models for higher temperatures available)

Operating principle

The exhaust air is cleaned by absorbing the pollutants from the gas phase into the water phase. The air flow is channelled horizontally through the random packing. The scrubber pump continuously sprays scrubbing liquid from the container above the random packing.


Design

Custom-designed to your specifications

Construction

This product is made of the following corrosion-resistant plastics: **PP, PPs, PE, PVC, PVDF**. Packing ensures sufficient surface area between the gas and liquid particles. Entrained liquid droplets are separated by the droplet separator.

Ex protection

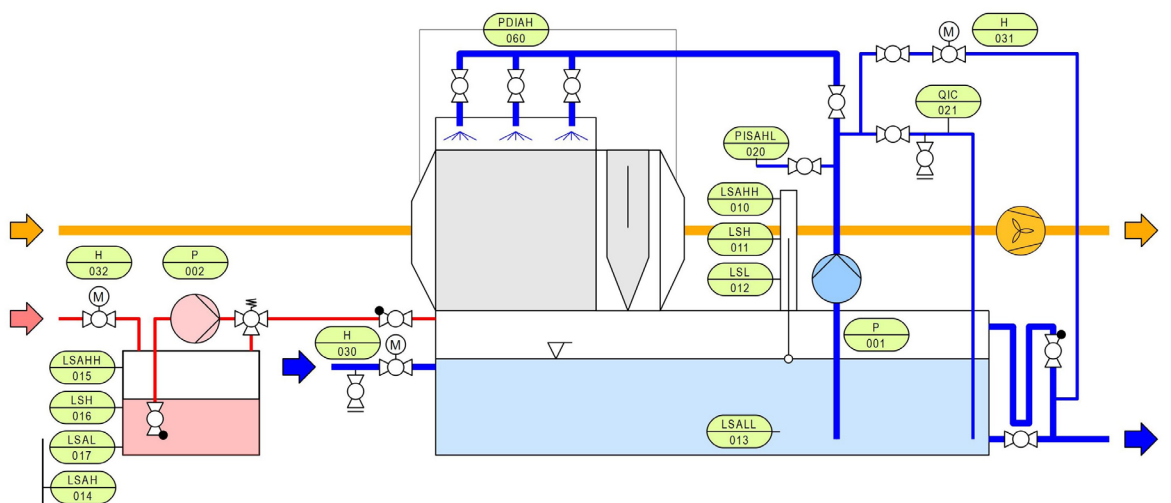
- Available in ATEX model for **Zone 1/2** 

Accessories

- pH measurement, conductivity measurement
- Chemical dosing; dosing tank
- Automatic sludge removal from the washing fluid
- Design for outdoor installation, screw-in heater
- Inclined bottom
- Redundant scrubber pump
- Aerosol separator
- Alternative packaging material
- Splash guard
- Process control
- Containment basin

Energy recovery

The energy of the exhaust air and exhaust gas can be re-used. The heat exchanger (KVS) can be integrated directly into the scrubber housing.

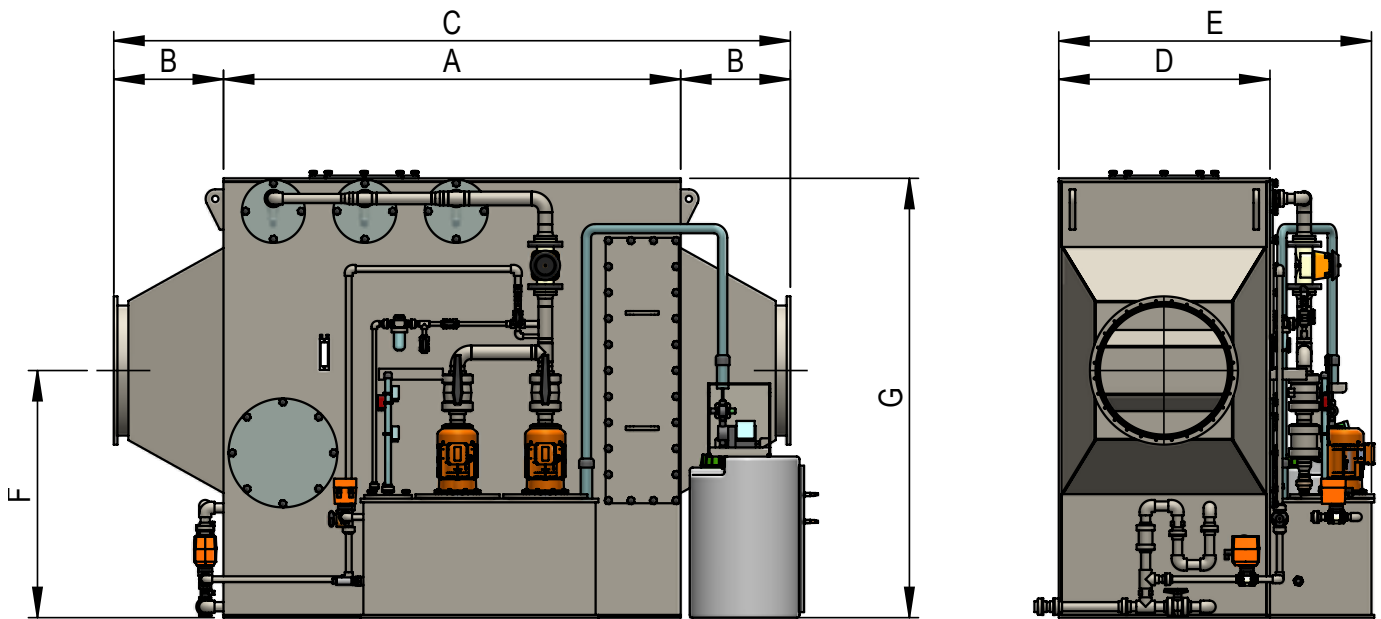


Exhaust air purification from Colasit

The exhaust air and exhaust gas from industrial applications, laboratories, and building technology can be hazardous to health and the environment. Colasit has been supporting you for many decades by supplying professional exhaust air purification systems to protect employees and the environment from harmful substances and odor emissions.

Key features

Colasit's exhaust air purification systems made of plastic are designed specifically for the processes they will be used in. Thanks to our wide range of exhaust air scrubbers in horizontal and vertical models, we can handle nearly any application.



The Colasit REYCLAIR exhaust air scrubbers CRHE are available in the following standard sizes:

	A	B	C	D	E	F	G	Volume flow
CRHE 315	2000 mm	500 mm	3000 mm	550 mm	1150 mm	900 mm	1630 mm	1500 – 2500 m ³ /h
CRHE 500	2000 mm	500 mm	3000 mm	800 mm	1300 mm	1035 mm	1900 mm	3400 – 5600 m ³ /h
CRHE 630	2000 mm	500 mm	3000 mm	1150 mm	1750 mm	1150 mm	2050 mm	6300 – 10400 m ³ /h
CRHE 710	2000 mm	500 mm	3000 mm	1150 mm	1750 mm	1325 mm	2400 mm	8400 – 14000 m ³ /h
CRHE 900	2000 mm	500 mm	3000 mm	1500 mm	2200 mm	1550 mm	2400 mm	11000 – 18300 m ³ /h
CRHE 1120	2000 mm	700 mm	3400 mm	1500 mm	2200 mm	1550 mm	2850 mm	14600 – 24300 m ³ /h
CRHE 1250	2000 mm	700 mm	3400 mm	1800 mm	2600 mm	1550 mm	2850 mm	17500 – 29200 m ³ /h
CRHE 1400	2000 mm	700 mm	3400 mm	2200 mm	3000 mm	1750 mm	3250 mm	26200 – 43600 m ³ /h
CRHE 1600	2000 mm	700 mm	3400 mm	2800 mm	3600 mm	2050 mm	3850 mm	42400 – 70600 m ³ /h

	A	B	C	D	E	F	G	Volume flow
CRHE 315L	2500 mm	500 mm	3500 mm	550 mm	1150 mm	900 mm	1630 mm	1500 – 2500 m ³ /h
CRHE 500L	2500 mm	500 mm	3500 mm	800 mm	1300 mm	1035 mm	1900 mm	3400 – 5600 m ³ /h
CRHE 630L	2500 mm	500 mm	3500 mm	1150 mm	1750 mm	1150 mm	2050 mm	6300 – 10400 m ³ /h
CRHE 710L	2500 mm	500 mm	3500 mm	1150 mm	1750 mm	1325 mm	2400 mm	8400 – 14000 m ³ /h
CRHE 900L	2500 mm	500 mm	3500 mm	1500 mm	2200 mm	1550 mm	2400 mm	11000 – 18300 m ³ /h
CRHE 1120L	2500 mm	700 mm	3900 mm	1500 mm	2200 mm	1550 mm	2850 mm	14600 – 24300 m ³ /h
CRHE 1250L	2500 mm	700 mm	3900 mm	1800 mm	2600 mm	1550 mm	2850 mm	17500 – 29200 m ³ /h
CRHE 1400L	2500 mm	700 mm	3900 mm	2200 mm	3000 mm	1750 mm	3250 mm	26200 – 43600 m ³ /h
CRHE 1600L	2500 mm	700 mm	3900 mm	2800 mm	3600 mm	2050 mm	3850 mm	42400 – 70600 m ³ /h

Worldwide

Colasit is a worldwide leading provider of chemically resistant fans, exhaust air purification systems, ventilation systems for corrosive and environmentally harmful exhaust air and gases as well as apparatus and processing systems for chemically aggressive liquid media.



Exhaust air purification systems made of plastic for treating environmentally hazardous exhaust air and gases



Plastic fans for efficient and safe conveying of corrosive exhaust air and gases



Ventilation systems made of plastic for efficient routing of corrosive exhaust air and gases



Processing systems, containers, vessels, and equipment for safe handling of chemically aggressive liquid media



Installation, repair, and replacement parts services



Consultation and engineering services in plastic construction for individual components to entire systems

COLASIT Holland B.V.

Plastic construction • Larenweg 56 • 5234 KC 's-Hertogenbosch, The Netherlands
Phone +31 (0)73 641 83 15 • verkoop@colasit.nl

www.colasit.nl

Competence in plastics. Worldwide.

