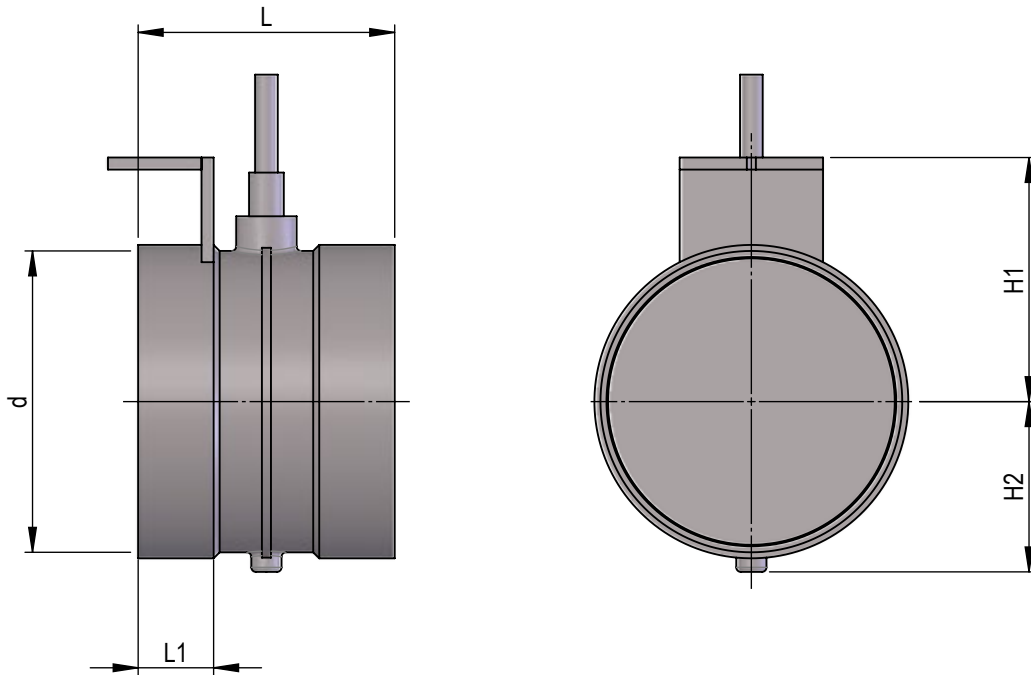


Material  
Operating pressure

PPs  
+/- 1500 Pa, 40 °C



d	L	L1	H1	H2	Item No.
d50	130	35	87	37	38977
d63	130	35	94	44	20514
d75	130	35	100	50	20515
d90	130	35	107	57	20516
d110	150	40	117	67	20517
d125	150	40	125	81	20518
d140	150	40	132	88	20519
d160	152	40	142	98	20520
d180	170	50	152	108	20521
d200	170	50	162	118	20522
d225	170	50	175	131	20523
d250	170	50	187	145	20524
d280	170	50	202	160	20525
d315	175	50	220	178	20526
d355	175	50	240	213	20527
d400	200	50	262	235	20528

Edition 2026 • Subject to alteration • Copyright by COLASIT AG Spiez

**COLASIT Holland B.V.**  
 Plastic construction • Larenweg 56 • NL-5234 KC 's-Hertogenbosch  
 Phone +31 (0)73 641 83 15 • verkoop@colasit.nl  
[www.colasit.nl](http://www.colasit.nl)

Competence in plastics. Worldwide.

