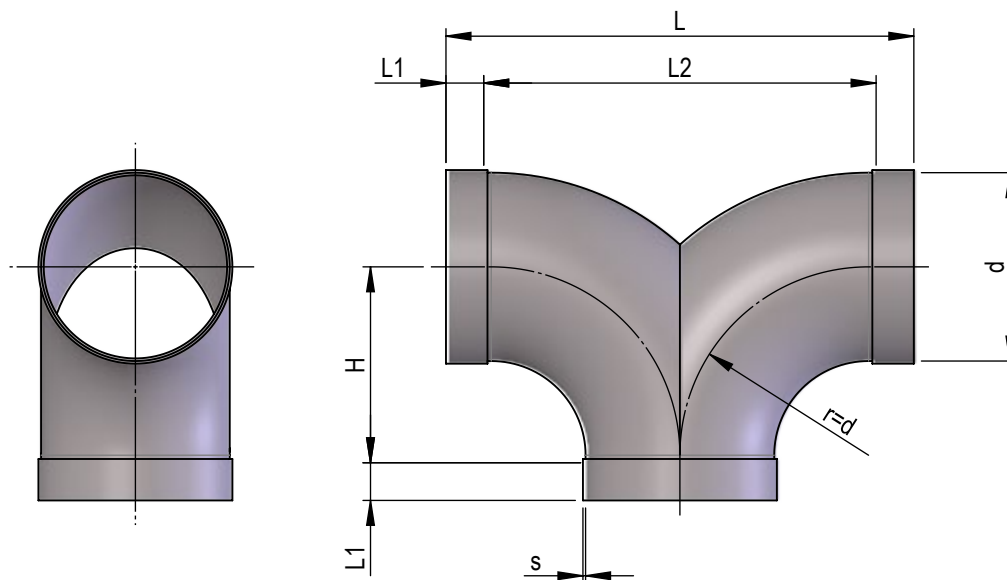


# Ventilation pipe, moulded parts round

## Y-piece 90° with sockets

Dimension drawing  
Material  
Operating pressure

1024845  
PPs  
+/- 1500 Pa, 40°C



NG1	L	L1	L2	H	s	Item No.
50	160	25	110	55	3	38959
63	190	25	140	70	3	38960
75	230	35	160	80	3	38961
90	260	35	190	95	3	38962
110	320	40	240	120	3	38963
125	350	40	270	135	3	38964
140	380	40	300	150	3	38965
160	420	40	340	170	3	38966
180	480	50	380	190	3	38967
200	520	50	420	210	3	38968
225	570	50	470	235	3.5	38969
250	620	50	520	260	4	38970
280	680	50	580	290	4	38971
315	750	50	650	325	5	38972
355	830	50	730	365	5	38973
400	920	50	820	410	6	38974
450	1030	50	930	465	6	38975
500	1140	50	1040	520	6	38976

Edition 2026 • Subject to alteration • Copyright by COLASIT AG Spiez

COLASIT Holland B.V.  
Plastic construction • Larenweg 56 • NL-5234 KC 's-Hertogenbosch  
Phone +31 (0)73 641 83 15 • verkoop@colasit.nl  
www.colasit.nl

Competence in plastics. Worldwide.

