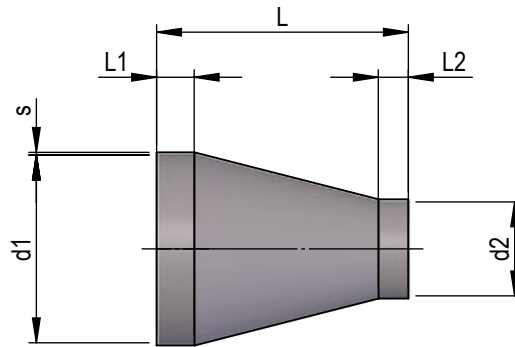


Ventilation pipe, moulded parts round

Reduction symmetrical with sockets

Dimension drawing
Material
Operating pressure

1025018
PPs
+/- 1500 Pa, 40°C

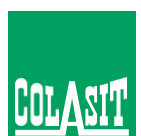


| d1 - d2 | L | L1 | L2 | s | Item No. |
|---------|-----|----|----|-----|----------|
| 63-50 | 80 | 35 | 35 | 3 | 38770 |
| 75-50 | 115 | 35 | 35 | 3 | 38771 |
| 75-63 | 95 | 35 | 35 | 3 | 38772 |
| 90-50 | 145 | 35 | 35 | 3 | 38678 |
| 90-63 | 125 | 35 | 35 | 3 | 38679 |
| 90-75 | 110 | 35 | 35 | 3 | 15226 |
| 110-50 | 170 | 40 | 35 | 3 | 39625 |
| 110-63 | 165 | 40 | 35 | 3 | 38717 |
| 110-75 | 170 | 40 | 35 | 3 | 15227 |
| 110-90 | 125 | 40 | 35 | 3 | 15228 |
| 125-50 | 215 | 40 | 35 | 3 | 39626 |
| 125-63 | 195 | 40 | 35 | 3 | 39627 |
| 125-75 | 185 | 40 | 35 | 3 | 38680 |
| 125-90 | 155 | 40 | 35 | 3 | 38681 |
| 125-110 | 115 | 40 | 40 | 3 | 38682 |
| 140-50 | 240 | 40 | 35 | 3 | 39628 |
| 140-63 | 235 | 40 | 35 | 3 | 39629 |
| 140-75 | 210 | 40 | 35 | 3 | 39630 |
| 140-90 | 185 | 40 | 35 | 3 | 38683 |
| 140-110 | 150 | 40 | 40 | 3 | 38684 |
| 140-125 | 120 | 40 | 40 | 3 | 38685 |
| 160-50 | 275 | 40 | 35 | 3.5 | 39631 |
| 160-63 | 260 | 40 | 35 | 3.5 | 39632 |
| 160-75 | 260 | 40 | 35 | 3.5 | 39633 |
| 160-90 | 220 | 40 | 35 | 3.5 | 39634 |
| 160-110 | 185 | 40 | 35 | 3.5 | 15229 |
| 160-125 | 160 | 40 | 40 | 3.5 | 15230 |

Edition 2026 • Subject to alteration • Copyright by COLASIT AG Spiez

COLASIT Holland B.V.
Plastic construction • Larenweg 56 • NL-5234 KC 's-Hertogenbosch
Phone +31 (0)73 641 83 15 • verkoop@colasit.nl
www.colasit.nl

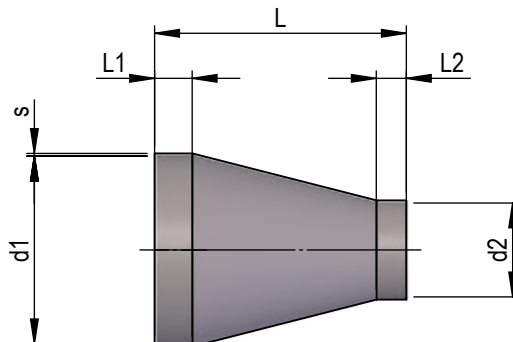
Competence in plastics. Worldwide.



Ventilation pipe, moulded parts round

Reduction symmetrical with sockets

Dimension drawing 1025018
 Material PPs
 Operating pressure ventilation pipe +/- 1500 Pa, 40°C



| d1 - d2 | L | L1 | L2 | s | Item No. |
|---------|-----|----|----|-----|----------|
| 180-50 | 330 | 50 | 35 | 3.5 | 38453 |
| 180-63 | 310 | 50 | 35 | 3.5 | 39635 |
| 180-75 | 295 | 50 | 35 | 3.5 | 39636 |
| 180-90 | 270 | 50 | 35 | 3.5 | 39637 |
| 180-110 | 235 | 50 | 40 | 3.5 | 39638 |
| 180-125 | 210 | 50 | 40 | 3.5 | 38687 |
| 180-140 | 180 | 50 | 40 | 3.5 | 38688 |
| 180-160 | 140 | 50 | 40 | 3.5 | 38689 |
| 200-50 | 380 | 50 | 35 | 3 | 39639 |
| 200-63 | 345 | 50 | 25 | 3 | 39640 |
| 200-75 | 330 | 50 | 35 | 3 | 39641 |
| 200-90 | 305 | 50 | 35 | 3 | 39642 |
| 200-110 | 300 | 50 | 40 | 3 | 39643 |
| 200-125 | 245 | 50 | 40 | 3 | 39644 |
| 200-140 | 215 | 50 | 40 | 3 | 38690 |
| 200-160 | 195 | 50 | 50 | 3 | 15231 |
| 200-180 | 155 | 50 | 50 | 3 | 15233 |
| 225-50 | 425 | 50 | 35 | 3 | 39645 |
| 225-63 | 390 | 50 | 25 | 3 | * |
| 225-75 | 380 | 50 | 35 | 3 | * |
| 225-90 | 350 | 50 | 35 | 3 | * |
| 225-110 | 320 | 50 | 40 | 3 | * |
| 225-125 | 290 | 50 | 40 | 3 | * |
| 225-140 | 260 | 50 | 40 | 3 | * |
| 225-160 | 225 | 50 | 40 | 3 | 38691 |
| 225-180 | 200 | 50 | 50 | 3 | 38692 |
| 225-200 | 160 | 50 | 35 | 3 | 38693 |

Edition 2026 • Subject to alteration • Copyright by COLASIT AG Spiez

COLASIT Holland B.V.
 Plastic construction • Larenweg 56 • NL-5234 KC 's-Hertogenbosch
 Phone +31 (0)73 641 83 15 • verkoop@colasit.nl
www.colasit.nl

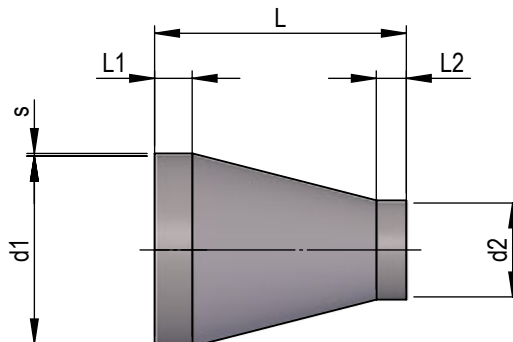
Competence in plastics. Worldwide.



Ventilation pipe, moulded parts round

Reduction symmetrical with sockets

Dimension drawing 1025018
 Material PPs
 Operating pressure ventilation pipe +/- 1500 Pa, 40°C



| d1 - d2 | L | L1 | L2 | s | Item No. |
|---------|-----|----|----|-----|----------|
| 180-50 | 330 | 50 | 35 | 3.5 | 38453 |
| 180-63 | 310 | 50 | 35 | 3.5 | 39635 |
| 180-75 | 295 | 50 | 35 | 3.5 | 39636 |
| 180-90 | 270 | 50 | 35 | 3.5 | 39637 |
| 180-110 | 235 | 50 | 40 | 3.5 | 39638 |
| 180-125 | 210 | 50 | 40 | 3.5 | 38687 |
| 180-140 | 180 | 50 | 40 | 3.5 | 38688 |
| 180-160 | 140 | 50 | 40 | 3.5 | 38689 |
| 200-50 | 380 | 50 | 35 | 3 | 39639 |
| 200-63 | 345 | 50 | 25 | 3 | 39640 |
| 200-75 | 330 | 50 | 35 | 3 | 39641 |
| 200-90 | 305 | 50 | 35 | 3 | 39642 |
| 200-110 | 300 | 50 | 40 | 3 | 39643 |
| 200-125 | 245 | 50 | 40 | 3 | 39644 |
| 200-140 | 215 | 50 | 40 | 3 | 38690 |
| 200-160 | 195 | 50 | 50 | 3 | 15231 |
| 200-180 | 155 | 50 | 50 | 3 | 15233 |
| 225-50 | 425 | 50 | 35 | 3 | 39645 |
| 225-63 | 390 | 50 | 25 | 3 | * |
| 225-75 | 380 | 50 | 35 | 3 | * |
| 225-90 | 350 | 50 | 35 | 3 | * |
| 225-110 | 320 | 50 | 40 | 3 | * |
| 225-125 | 290 | 50 | 40 | 3 | * |
| 225-140 | 260 | 50 | 40 | 3 | * |
| 225-160 | 225 | 50 | 40 | 3 | 38691 |
| 225-180 | 200 | 50 | 50 | 3 | 38692 |
| 225-200 | 160 | 50 | 35 | 3 | 38693 |

Edition 2026 • Subject to alteration • Copyright by COLASIT AG Spiez

COLASIT Holland B.V.
 Plastic construction • Larenweg 56 • NL-5234 KC 's-Hertogenbosch
 Phone +31 (0)73 641 83 15 • verkoop@colasit.nl
www.colasit.nl

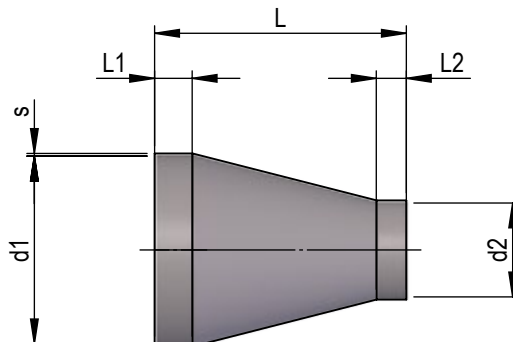
Competence in plastics. Worldwide.



Ventilation pipe, moulded parts round

Reduction symmetrical with sockets

Dimension drawing 1025018
 Material PPs
 Operating pressure ventilation pipe +/- 1500 Pa, 40°C



| d1 - d2 | L | L1 | L2 | s | Item No. |
|---------|-----|----|----|-----|----------|
| 250-90 | 400 | 50 | 35 | 3.5 | 39646 |
| 250-110 | 365 | 50 | 40 | 3.5 | 39647 |
| 250-125 | 335 | 50 | 40 | 3.5 | 39648 |
| 250-140 | 310 | 50 | 40 | 3.5 | * |
| 250-160 | 285 | 50 | 40 | 3 | 15232 |
| 250-180 | 245 | 50 | 50 | 3 | 15234 |
| 250-200 | 200 | 50 | 50 | 3 | 15238 |
| 250-225 | 160 | 50 | 50 | 3 | 15239 |
| 280-110 | 425 | 50 | 40 | 3.5 | 39649 |
| 280-125 | 395 | 50 | 40 | 3.5 | * |
| 280-140 | 365 | 50 | 40 | 3.5 | * |
| 280-160 | 340 | 50 | 50 | 3.5 | * |
| 280-180 | 305 | 50 | 50 | 3.5 | * |
| 280-200 | 265 | 50 | 50 | 3.5 | 38694 |
| 280-225 | 220 | 50 | 50 | 3.5 | 15240 |
| 280-250 | 175 | 50 | 50 | 3.5 | 38695 |
| 315-110 | 470 | 50 | 40 | 4 | 39650 |
| 315-125 | 460 | 50 | 40 | 4 | * |
| 315-140 | 435 | 50 | 40 | 4 | * |
| 315-160 | 395 | 50 | 40 | 4 | 39651 |
| 315-180 | 360 | 50 | 40 | 4 | 39652 |
| 315-200 | 330 | 50 | 50 | 4 | 38824 |
| 315-225 | 285 | 50 | 50 | 4.5 | 38696 |
| 315-250 | 240 | 50 | 50 | 4.5 | 15241 |
| 315-280 | 195 | 50 | 50 | 4.5 | 15242 |
| 355-160 | 485 | 50 | 50 | 5 | 39652 |
| 355-180 | 445 | 50 | 50 | 5 | * |
| 355-200 | 410 | 50 | 50 | 5 | * |
| 355-225 | 360 | 50 | 50 | 5 | * |

Edition 2026 • Subject to alteration • Copyright by COLASIT AG Spiez

COLASIT Holland B.V.
 Plastic construction • Larenweg 56 • NL-5234 KC 's-Hertogenbosch
 Phone +31 (0)73 641 83 15 • verkoop@colasit.nl
www.colasit.nl

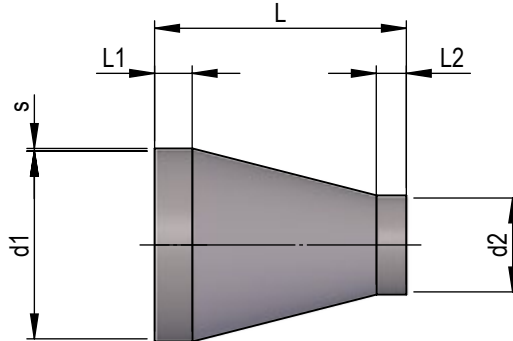
Competence in plastics. Worldwide.



Ventilation pipe, moulded parts round

Reduction symmetrical with sockets

Dimension drawing 1025018
 Material PPs
 Operating pressure ventilation pipe +/- 1500 Pa, 40°C



| d1 - d2 | L | L1 | L2 | s | Item No. |
|---------|-----|----|----|-----|----------|
| 355-250 | 315 | 50 | 50 | 4.5 | 38697 |
| 355-280 | 255 | 50 | 50 | 5 | 38698 |
| 355-315 | 200 | 60 | 50 | 5 | 15243 |
| 400-160 | 580 | 60 | 50 | 5 | 39653 |
| 400-180 | 540 | 60 | 50 | 5 | * |
| 400-200 | 500 | 60 | 50 | 5 | * |
| 400-225 | 455 | 60 | 50 | 5 | * |
| 400-250 | 410 | 60 | 50 | 5 | * |
| 400-280 | 355 | 60 | 50 | 5 | 38699 |
| 400-315 | 390 | 60 | 50 | 5 | 15244 |
| 400-355 | 215 | 60 | 50 | 5 | 38700 |
| 450-200 | 600 | 60 | 50 | 6 | 39654 |
| 450-225 | 550 | 60 | 50 | 6 | * |
| 450-250 | 505 | 60 | 50 | 6 | * |
| 450-280 | 450 | 60 | 50 | 6 | * |
| 450-315 | 385 | 60 | 50 | 6 | 38701 |
| 450-355 | 310 | 60 | 50 | 6 | 38702 |
| 450-400 | 235 | 60 | 60 | 6 | 38703 |
| 500-200 | 680 | 50 | 50 | 6 | 39655 |
| 500-225 | 635 | 50 | 50 | 6 | * |
| 500-250 | 610 | 70 | 50 | 6 | * |
| 500-280 | 555 | 70 | 50 | 6 | * |
| 500-315 | 500 | 65 | 65 | 6 | * |
| 500-355 | 410 | 65 | 50 | 6 | 38704 |
| 500-400 | 335 | 70 | 55 | 6 | 38705 |
| 500-450 | 245 | 70 | 60 | 6 | 38706 |

Edition 2026 • Subject to alteration • Copyright by COLASIT AG Spiez

COLASIT Holland B.V.
 Plastic construction • Larenweg 56 • NL-5234 KC 's-Hertogenbosch
 Phone +31 (0)73 641 83 15 • verkoop@colasit.nl
www.colasit.nl

Competence in plastics. Worldwide.

