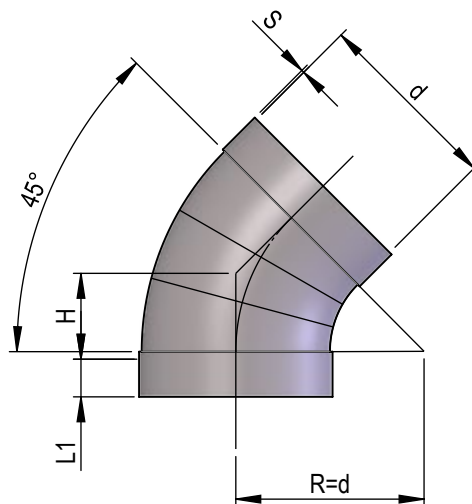


Ventilation pipe, moulded parts round

Pipe bends 45° with sockets

Dimension drawing
Material
Operating pressure

1031872
PPs
+/- 1500 Pa, 40°C



NG	H	L1	s	Item No.
50	30	25	3	32806
63	32	25	3	15150
75	35	35	3	12367
90	40	35	3	12368
110	55	40	3	15151
125	60	40	3	12355
140	70	40	3	12356
160	75	40	3	12357
180	85	50	3	12358
200	95	50	3	12359
225	105	50	3.5	12360
250	115	50	3.5	12361
280	125	50	4	12362
315	140	50	5	12363
355	160	50	5	12364
400	175	60	6	12365
450	200	60	6	15152
500	215	60	6	15153

Edition 2026 • Subject to alteration • Copyright by COLASIT AG Spiez

COLASIT Holland B.V.
Plastic construction • Larenweg 56 • NL-5234 KC 's-Hertogenbosch
Phone +31 (0)73 641 83 15 • verkoop@colasit.nl
www.colasit.nl

Competence in plastics. Worldwide.

