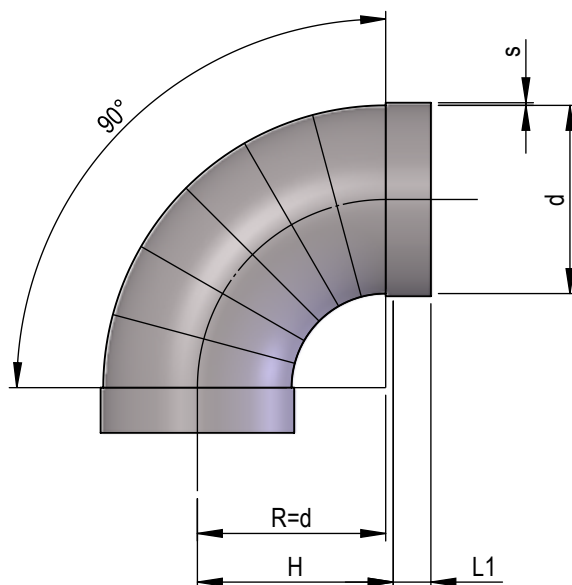


# Ventilation pipe, moulded parts round

## Pipe bends 90° with sockets

Dimension drawing  
Material  
Operating pressure

1024356  
PPs  
+/- 1500 Pa, 40°C



NG	H	L1	s	Item No.
50	55	25	3	32028
63	70	25	3	15139
75	80	35	3	12369
90	95	35	3	12366
110	120	40	3	12342
125	135	40	3	12343
140	150	40	3	12344
160	170	40	3	12345
180	190	50	3	12346
200	210	50	3	12347
225	235	50	3.5	12348
250	260	50	3.5	12349
280	290	50	4	12350
315	325	50	5	12351
355	365	50	5	12352
400	410	60	6	12353
450	460	60	6	12354
500	510	60	6	15140

Edition 2026 • Subject to alteration • Copyright by COLASIT AG Spiez

COLASIT Holland B.V.  
Plastic construction • Larenweg 56 • NL-5234 KC 's-Hertogenbosch  
Phone +31 (0)73 641 83 15 • verkoop@colasit.nl  
www.colasit.nl

Competence in plastics. Worldwide.

