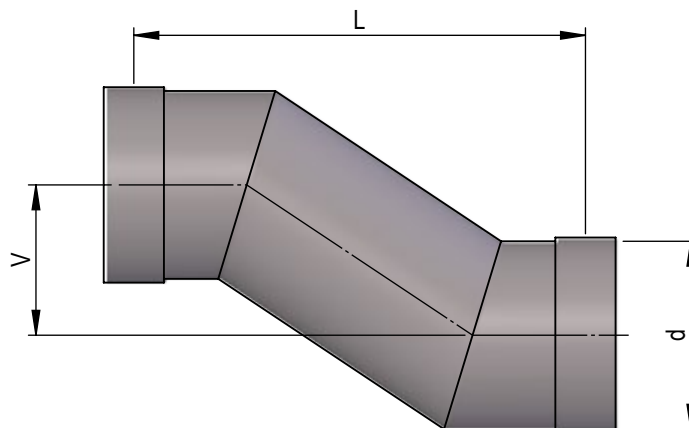


# Ventilation pipe, moulded parts round

## Pipe storeys

Dimension drawing  
Material  
Operating pressure

1033064  
PPs  
+/- 1500 Pa, 40°C



D	Pipe dimension	Socket dimension
	Item No.	
50	38859	
63	23401	
75	23402	
90	23403	
110	23404	
125	23405	
140	23406	
160	23351	
180	23407	NA*
200	23408	
225	23409	
250	23410	
280	23411	
315	23412	
355	23413	
400	23414	
450	23415	
500	23416	
560	23417	38727
630	23418	38728
710	23419	38729
800	23420	38730
900	23421	38731
1000	23422	38732
1120	23423	38733
1250	23424	38726

Edition 2026 • Subject to alteration • Copyright by COLASIT AG Spiez

COLASIT Holland B.V.  
Plastic construction • Larenweg 56 • NL-5234 KC 's-Hertogenbosch  
Phone +31 (0)73 641 83 15 • verkoop@colasit.nl  
www.colasit.nl

Competence in plastics. Worldwide.

