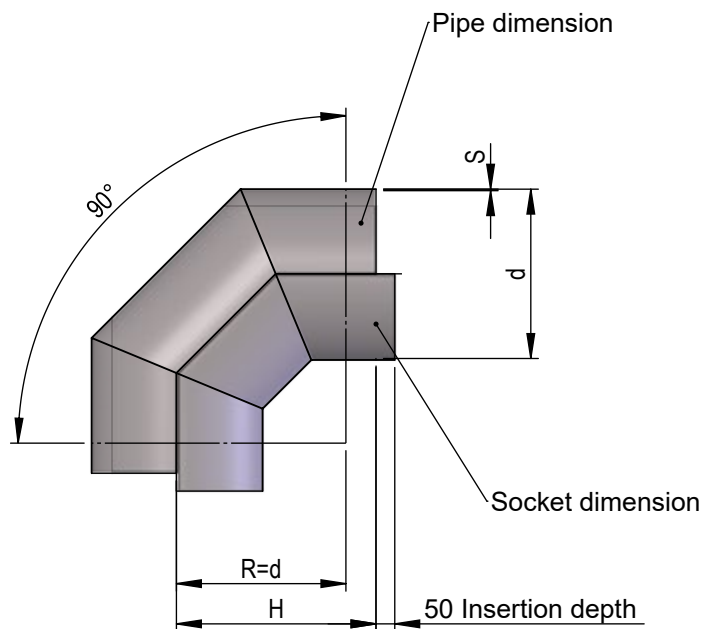


# Ventilation pipe, moulded parts round

## Segmental bend 90°

Dimension drawing  
Material  
Operating pressure

1024355  
PPs  
+/- 1500 Pa, 40°C



NG	Pipe dimension		Socket dimension		s
	H	Item No.	H	Item No.	
560	640	20055	690	20063	5
630	710	20056	760	20064	5
710	790	20057	840	20065	5
800	880	20058	930	20066	6
900	980	20059	1030	20067	6
1000	1080	20060	1130	20068	8
1120	1200	20061	1250	20069	8
1250	1330	20062	1380	20070	8

Edition 2026 • Subject to alteration • Copyright by COLASIT AG Spiez

COLASIT Holland B.V.  
Plastic construction • Larenweg 56 • NL-5234 KC 's-Hertogenbosch  
Phone +31 (0)73 641 83 15 • verkoop@colasit.nl  
www.colasit.nl

Competence in plastics. Worldwide.

