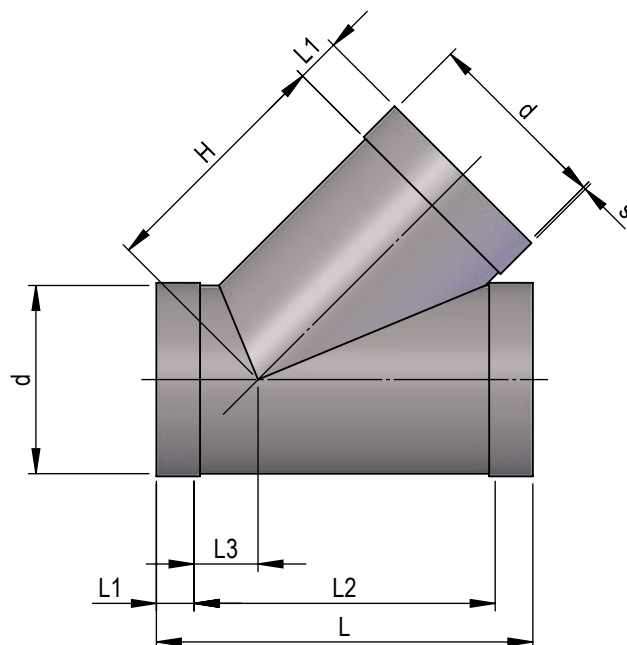


Ventilation pipe, moulded parts round

T-joint 45° with sockets

Dimension drawing
Material
Operating pressure

1024496
PPs
+/- 1500 Pa, 40°C



A	D	Item No.
50	50	38826
63	50-63	21026
75	50-75	21027
90	50-90	21028
110	50-110	21029
125	50-125	21030
140	50-140	21031
160	50-160	21032
180	50-180	21033
200	50-200	21034
225	50-225	21035
250	50-250	21036
280	50-280	21037
315	50-315	21038
355	50-355	21039
400	50-400	21040
450	50-450	21041
500	50-500	21042
560	50-560	21043
630	50-630	21044
710	50-710	21045

Edition 2026 • Subject to alteration • Copyright by COLASIT AG Spiez

COLASIT Holland B.V.
Plastic construction • Larenweg 56 • NL-5234 KC 's-Hertogenbosch
Phone +31 (0)73 641 83 15 • verkoop@colasit.nl
www.colasit.nl

Competence in plastics. Worldwide.

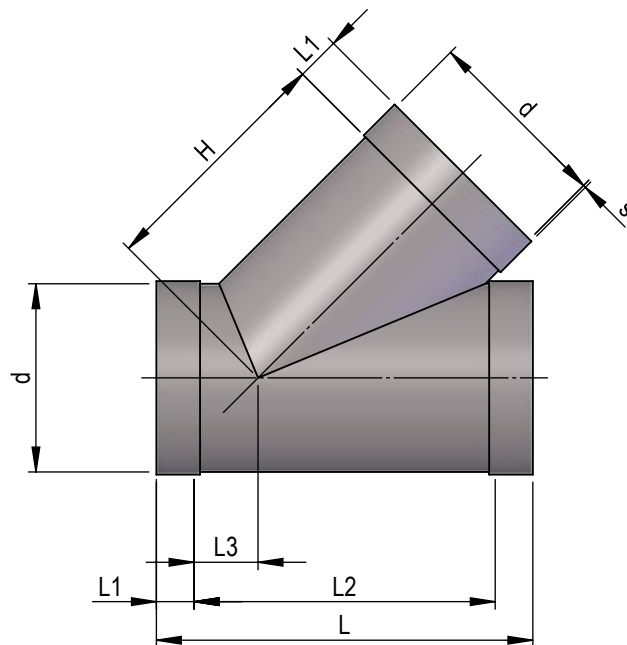


Ventilation pipe, moulded parts round

T-joint 45° with sockets

Dimension drawing
Material
Operating pressure

1024496
PPs
+/- 1500 Pa, 40°C



A	D	Item No.
800	50-800	21046
900	50-900	21047
1000	50-1000	21048
1120	50-1120	21049
1250	50-1250	21050

Edition 2026 • Subject to alteration • Copyright by COLASIT AG Spiez

COLASIT Holland B.V.
Plastic construction • Larenweg 56 • NL-5234 KC 's-Hertogenbosch
Phone +31 (0)73 641 83 15 • verkoop@colasit.nl
www.colasit.nl

Competence in plastics. Worldwide.

