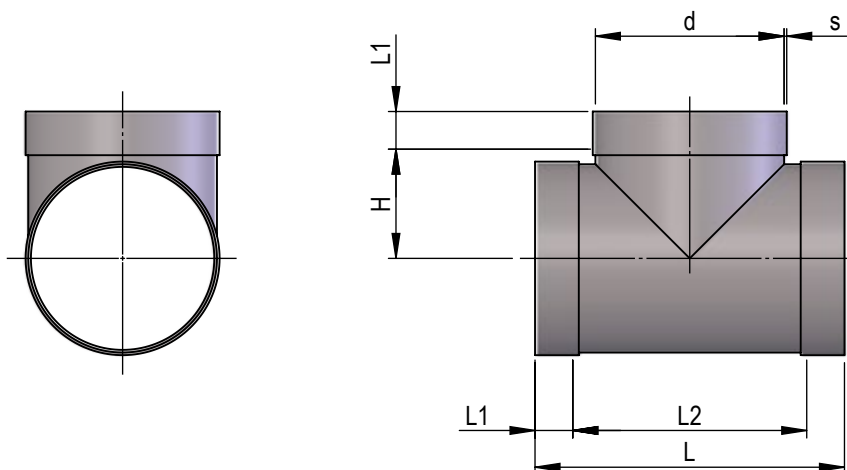


# Ventilation pipe, moulded parts round

## T-joint 90° no matter with sockets

Dimension drawing  
Material  
Operating pressure

1024496  
PPs  
+/- 1500 Pa, 40°C



NG	L	L1	L2	H	s	Item No.
50	140	25	90	35	3	38825
63	160	25	110	45	3	18966
75	170	35	100	55	3	38778
90	200	35	130	60	3	38779
110	225	40	145	70	3.5	38780
125	285	50	185	85	3	38781
140	270	40	190	95	3	20944
160	330	40	250	100	4.5	38782
180	375	50	275	137.5	3	20946
200	385	50	285	120	5	38783
225	420	50	320	160	3.5	20948
250	410	50	310	155	3.5	20949
280	460	50	360	180	4	20950
315	520	50	415	210	5	20951
355	570	50	460	235	5	20952
400	610	60	490	245	6	20953
450	700	60	580	250	7	20954
500	780	60	660	305	8	20955
560	840	50	740	370	8	20956
630	900	50	800	400	10	20957
710	1000	50	900	450	12	20958
800	1100	50	1000	500	6	20959
900	1200	50	1100	550	6	20960
1000	1300	50	1200	600	6	20961
1120	1500	50	1400	700	8	20962
1250	1600	50	1500	750	8	20963

Edition 2026 • Subject to alteration • Copyright by COLASIT AG Spiez

COLASIT Holland B.V.  
Plastic construction • Larenweg 56 • NL-5234 KC 's-Hertogenbosch  
Phone +31 (0)73 641 83 15 • verkoop@colasit.nl  
www.colasit.nl

Competence in plastics. Worldwide.

