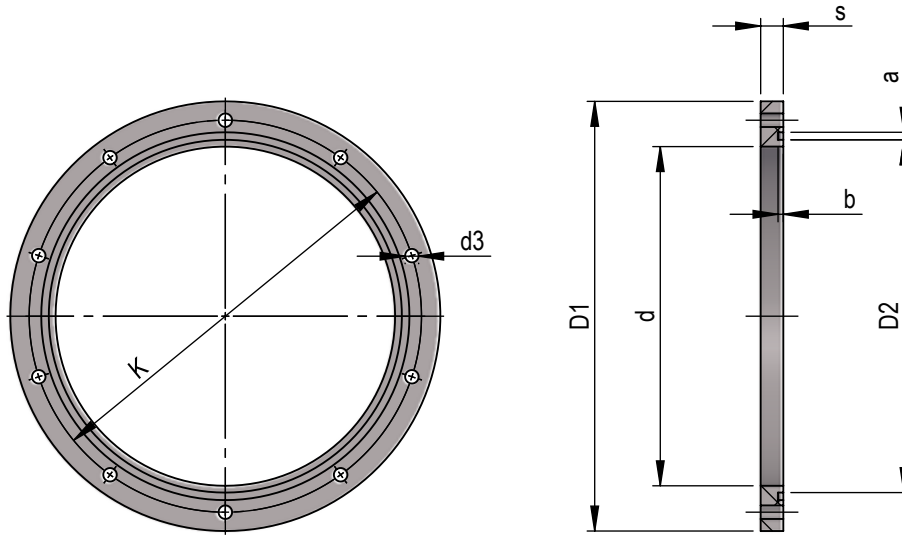


## Flange CN

Dimension drawing  
Material  
Operating pressure

1002111  
PPs  
+/- 1500 Pa, 40°C



| d    | D1   | S  | K    | d3 | n  | D2   | a | b   | Item No. |
|------|------|----|------|----|----|------|---|-----|----------|
| 63   | 123  | 15 | 95   | 9  | 6  | 72   | 5 | 3.5 | 13560    |
| 75   | 135  | 15 | 110  | 9  | 6  | 85   | 5 | 3.5 | 20728    |
| 90   | 150  | 15 | 125  | 9  | 6  | 100  | 5 | 3.5 | 13565    |
| 110  | 170  | 15 | 145  | 9  | 6  | 120  | 5 | 3.5 | 16758    |
| 125  | 185  | 15 | 160  | 9  | 6  | 135  | 5 | 3.5 | 13570    |
| 140  | 200  | 15 | 175  | 9  | 8  | 150  | 5 | 3.5 | 16226    |
| 160  | 220  | 15 | 195  | 9  | 8  | 170  | 5 | 3.5 | 13573    |
| 180  | 240  | 15 | 215  | 9  | 8  | 189  | 5 | 3.5 | 16233    |
| 200  | 260  | 15 | 235  | 9  | 10 | 209  | 5 | 3.5 | 13580    |
| 225  | 285  | 15 | 260  | 9  | 10 | 234  | 5 | 3.5 | 16238    |
| 250  | 310  | 15 | 285  | 9  | 10 | 258  | 5 | 3.5 | 13585    |
| 280  | 340  | 15 | 315  | 9  | 12 | 288  | 5 | 3.5 | 16244    |
| 315  | 375  | 15 | 350  | 9  | 12 | 323  | 5 | 3.5 | 16248    |
| 355  | 435  | 15 | 400  | 10 | 16 | 373  | 5 | 3.5 | 18295    |
| 400  | 480  | 15 | 445  | 10 | 18 | 418  | 5 | 3.5 | 16255    |
| 450  | 530  | 15 | 495  | 10 | 20 | 468  | 5 | 3.5 | 16257    |
| 500  | 600  | 20 | 555  | 10 | 22 | 522  | 8 | 6.5 | 16260    |
| 560  | 660  | 20 | 615  | 10 | 24 | 582  | 8 | 6.5 | 16263    |
| 630  | 730  | 20 | 685  | 10 | 26 | 652  | 8 | 6.5 | 16266    |
| 710  | 810  | 20 | 765  | 10 | 28 | 732  | 8 | 6.5 | 16269    |
| 800  | 900  | 20 | 855  | 10 | 32 | 822  | 8 | 6.5 | 16272    |
| 900  | 1000 | 20 | 955  | 10 | 36 | 922  | 8 | 6.5 | 16275    |
| 1000 | 1100 | 20 | 1055 | 10 | 40 | 1022 | 8 | 6.5 | 16239    |
| 1120 | 1220 | 20 | 1175 | 10 | 45 | 1142 | 8 | 6.5 | 21234    |
| 1250 | 1350 | 20 | 1305 | 10 | 48 | 1272 | 8 | 6.5 | 21235    |

Screws are available separately. O-ring seal is included with CN flange.

Edition 2026 • Subject to alteration • Copyright by COLASIT AG Spiez

COLASIT Holland B.V.  
Plastic construction • Larenweg 56 • NL-5234 KC 's-Hertogenbosch  
Phone +31 (0)73 641 83 15 • verkoop@colasit.nl  
www.colasit.nl

Competence in plastics. Worldwide.

