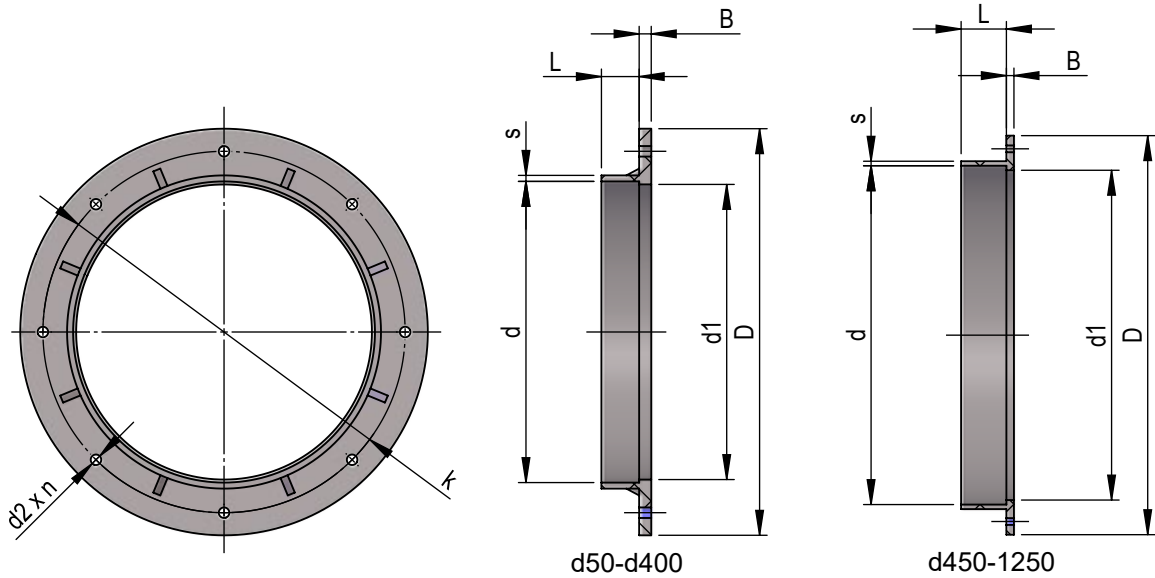


Socket flange type Beck

Dimension drawing
Material
Operating pressure

1024895
PPs
+/- 1500 Pa, 40°C



NG	D	B	s	k	d1	d2	n	Item No.
50	100	8	3	80	46	7	4	32893
63	120	8	3	100	59	7	4	38708
75	135	8	3	115	71	7	4	32895
90	150	8	3	130	86	7	4	32896
110	170	8	4	150	106	7	4	18353
125	185	8	4	165	121	7	8	18354
140	200	8	4	175	136	7	8	18355
160	230	8	4	200	156	7	8	18301
180	250	8	4	225	176	7	8	18356
200	270	8	4	240	196	7	8	18302
225	295	8	4	265	221	7	8	18357
250	320	10	4	290	246	7	12	17206
280	360	10	4	325	274	9	12	18358
315	395	10	4.5	350	309	9	12	18359
355	435	10	6	400	349	9	12	18360
400	480	10	6.5	445	394	9	16	17205
450	530	10	6	495	438	9	16	32897
500	580	10	6	545	488	9	20	32898
560	700	12	6	660	548	11	24	32899
630	730	12	6	700	618	11	24	32901
710	810	12	8	770	684	11	24	32903
800	900	12	8	860	784	11	28	32904
900	1000	12	8	960	884	11	32	32905
1000	1100	12	10	1060	980	11	32	32906
1250	1350	15	10	1310	1230	11	32	32907

Edition 2026 • Subject to alteration • Copyright by COLASIT AG Spiez

COLASIT Holland B.V.
Plastic construction • Larenweg 56 • NL-5234 KC 's-Hertogenbosch
Phone +31 (0)73 641 83 15 • verkoop@colasit.nl
www.colasit.nl

Competence in plastics. Worldwide.

