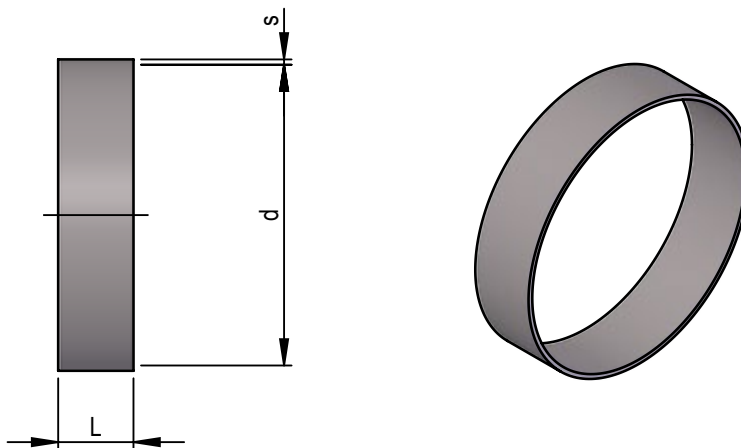


## Sliding socket round

Dimension drawing 1013318  
 Material PPs  
 Operating pressure ventilation pipe +/- 1500 Pa, 40°C



NG	L	S	Item No.
50	25	3	38795
63	25	3	19911
75	35	3	19912
90	35	3	19913
110	40	3	19910
125	40	3	19914
140	40	3	19915
160	40	3	19916
180	40	3	19917
200	50	3	19918
225	50	3.5	19919
250	50	3.5	19920
280	50	4	19921
315	50	5	19036
355	50	5	19037
400	60	6	19038
450	60	6	19039
500	60	6	19040
560	80	4	19041
630	80	5	19042
710	80	5	19043
800	80	6	19044
900	80	6	19045
1000	80	8	19046
1120	80	8	19047
1250	80	8	19048

Edition 2026 • Subject to alteration • Copyright by COLASIT AG Spiez

COLASIT Holland B.V.  
 Plastic construction • Larenweg 56 • NL-5234 KC 's-Hertogenbosch  
 Phone +31 (0)73 641 83 15 • verkoop@colasit.nl  
[www.colasit.nl](http://www.colasit.nl)

Competence in plastics. Worldwide.

